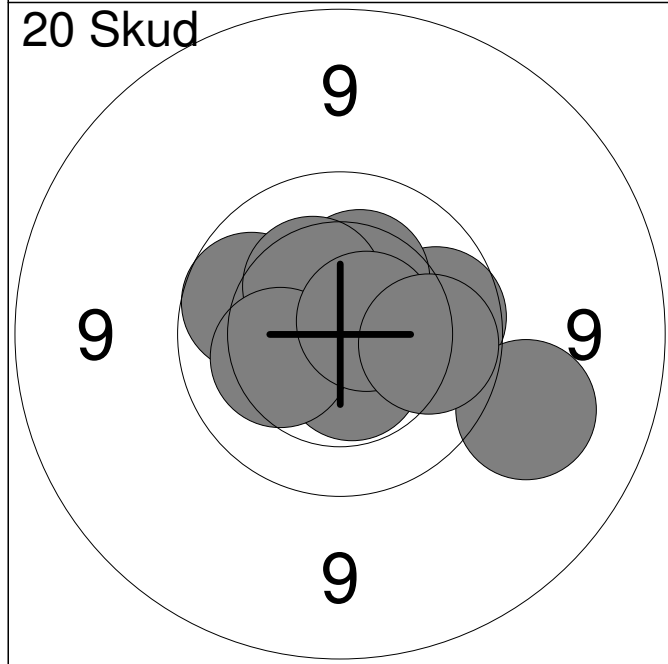
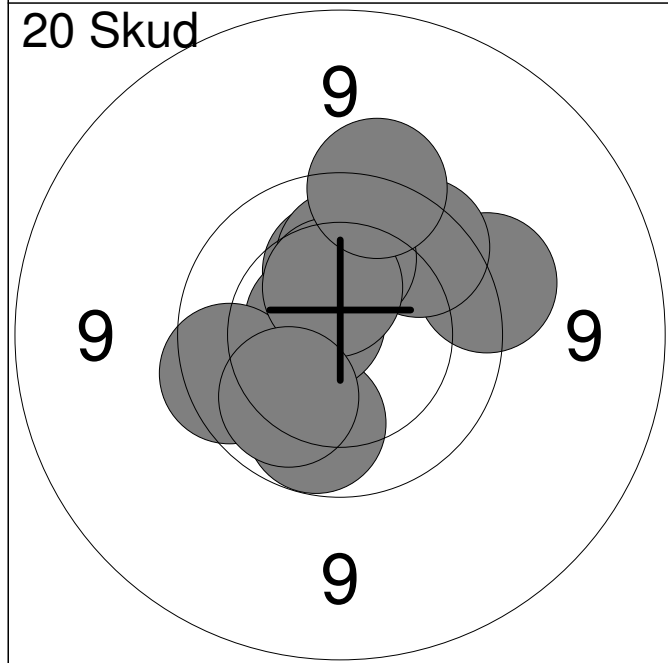


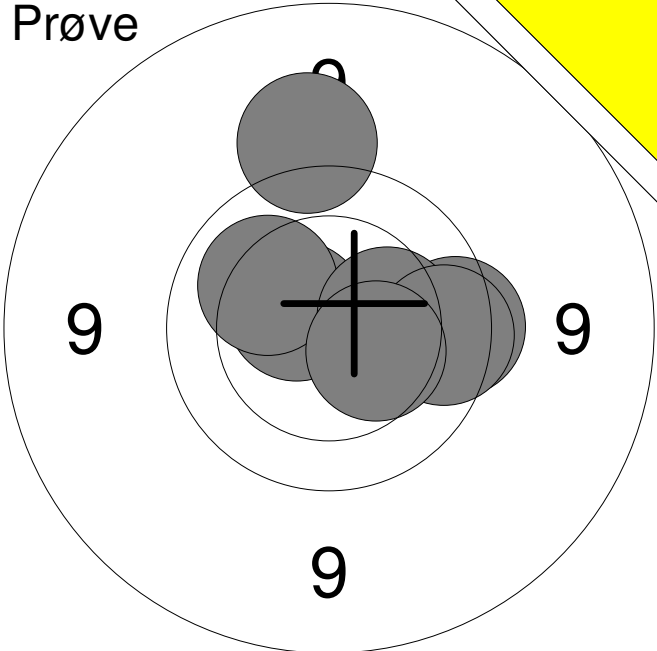
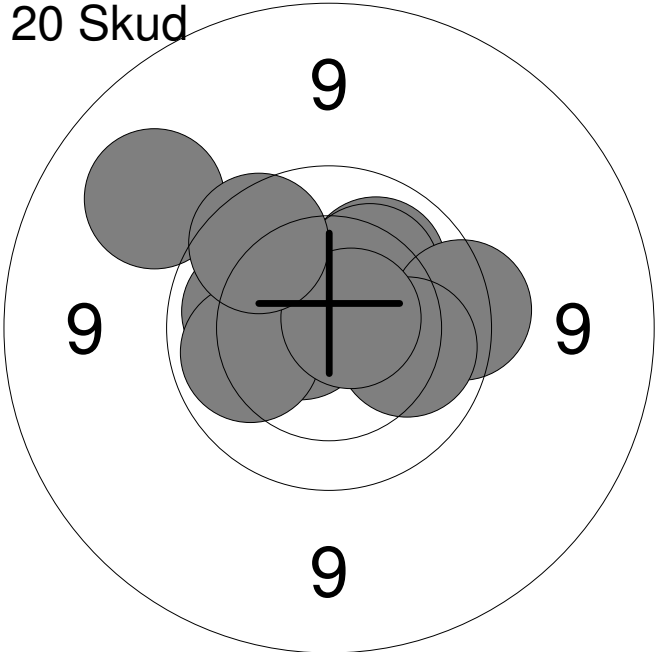
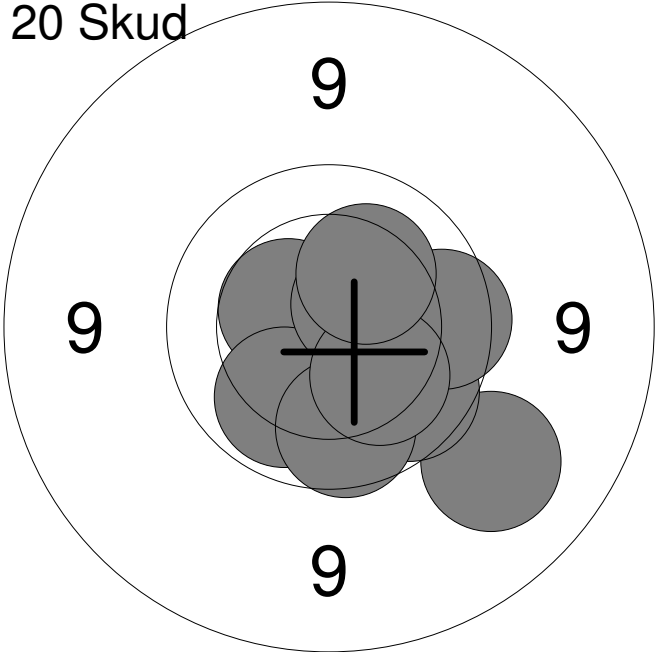
1:	10.3	↓
2:	9.5	→
3:	9.7	↑
4:	9.9	↑
5:	9.7	↑
6:	*10.6	←
7:	10.2	→
Serie		66.0
Total		0.0



1:	*10.6	↑
2:	9.9	→
3:	*10.5	↓
4:	9.9	←
5:	10.3	↑
6:	10.4	↑
7:	10.3	←
8:	*10.6	→
9:	9.3	→
10:	10.0	→
Serie		97.0
Total		97.0



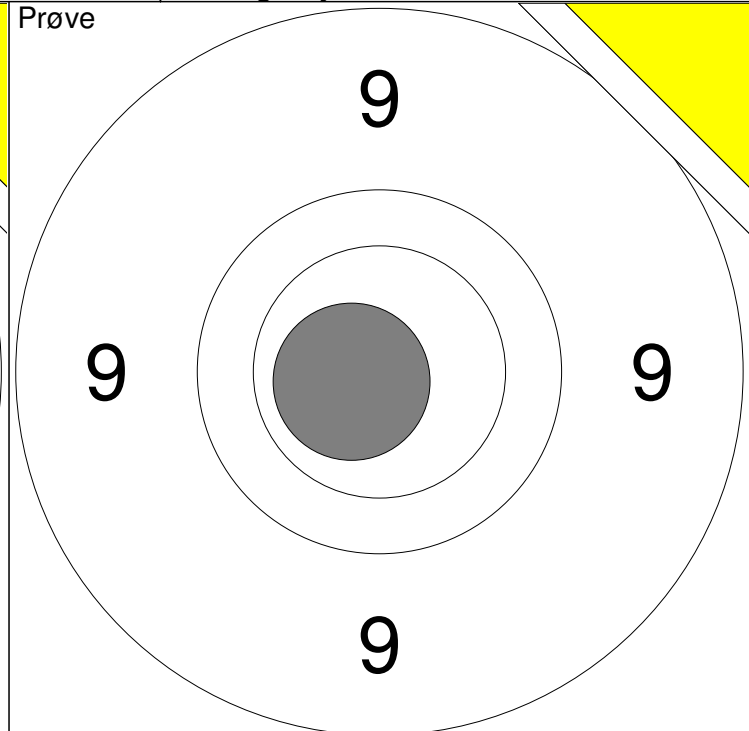
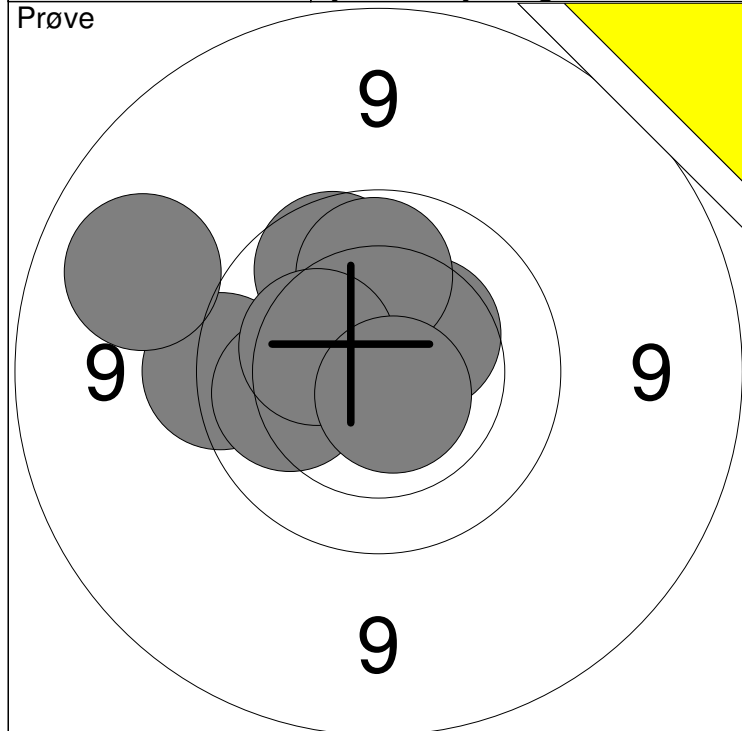
11:	10.0	↓
12:	10.3	↑
13:	*10.6	←
14:	9.6	→
15:	9.8	←
16:	9.8	↑
17:	10.1	↑
18:	10.4	↑
19:	10.1	←
20:	9.6	↑
Serie		96.0
Total		193.0

Hold	Skive	Stefan Olsen	
1	3		
15m	Aalborg Skyttekreds		
	Jyllandsskydning	Aalborg Skyttekreds	
Prøve		1: 9.4 ↑ 2: *10.6 ↗ 3: 9.7 → 4: 10.1 ↗ 5: 10.3 → 6: 9.8 → 7: 10.4 ↘	
		Serie	67.0
		Total	0.0
20 Skud		1: *10.6 ← 2: 10.1 ↗ 3: 9.2 ↗ 4: 10.1 ← 5: 10.1 ← 6: 10.2 ↗ 7: 9.7 → 8: 10.1 → 9: *10.7 → 10: 9.8 ↗	
		Serie	97.0
		Total	97.0
20 Skud		11: 10.5 ↗ 12: 10.5 → 13: 10.1 ↘ 14: *10.5 ↗ 15: 9.2 ↘ 16: 9.9 ↘ 17: 9.9 ↘ 18: 9.8 → 19: 10.2 ↘ 20: 10.3 ↗	
		Serie	96.0
		Total	193.0

Hold 1	Skive 4	Daniel Mørk	
------------------	-------------------	--------------------	--

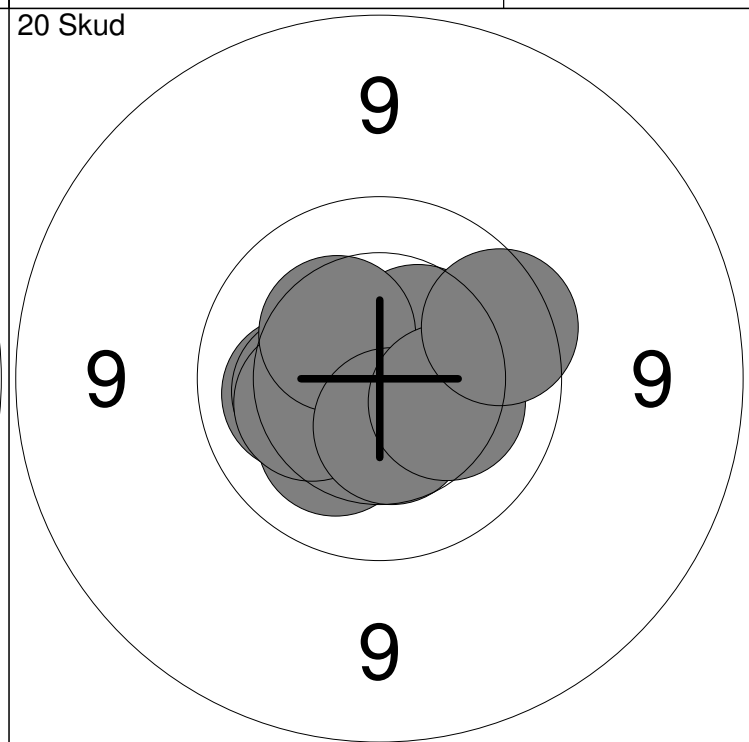
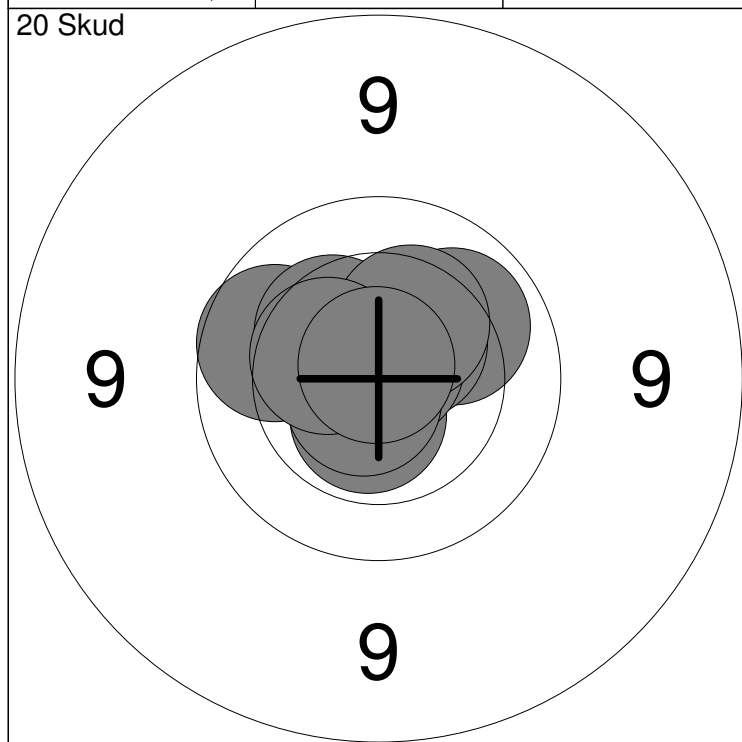
15m	Hobro Egnens Skytteforening		
-----	-----------------------------	--	--

	Jyllandsskydning	Aalborg Skyttekreds	
--	------------------	---------------------	--



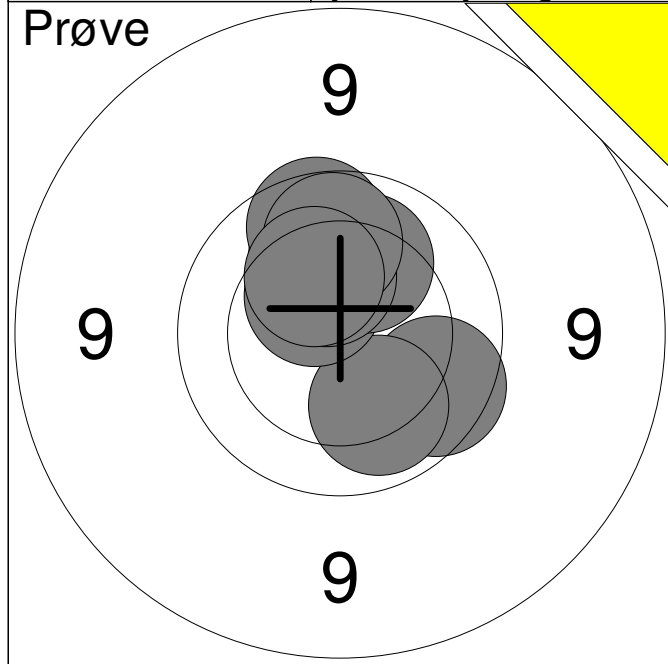
1: *10.5 ↗	6: 9.7 ←	Serie	97.0
2: *10.5 ↗	7: 10.1 ←		
3: 10.4 ↗	8: 9.1 ←	Total	0.0
4: 9.9 ↗	9: 10.3 ↖		
5: 10.0 ↑	10: *10.7 ↘		

11: *10.7 ←	Serie	10.0
	Total	0.0

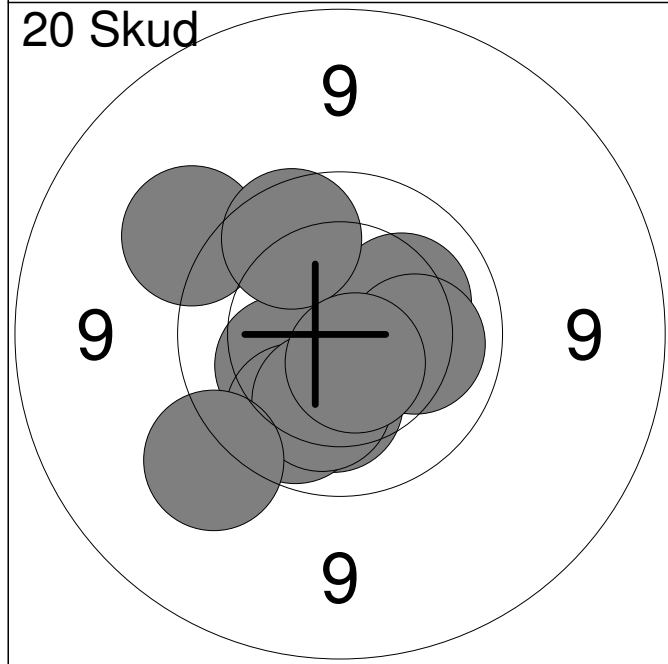


1: 9.9 ←	6: *10.8 ↗	Serie	99.0
2: 10.3 ↖	7: 10.3 ↗		
3: *10.6 ↘	8: *10.7 ↘	Total	99.0
4: 10.1 ↗	9: 10.4 ↖		
5: *10.5 ↗	10: *10.8 ↗		

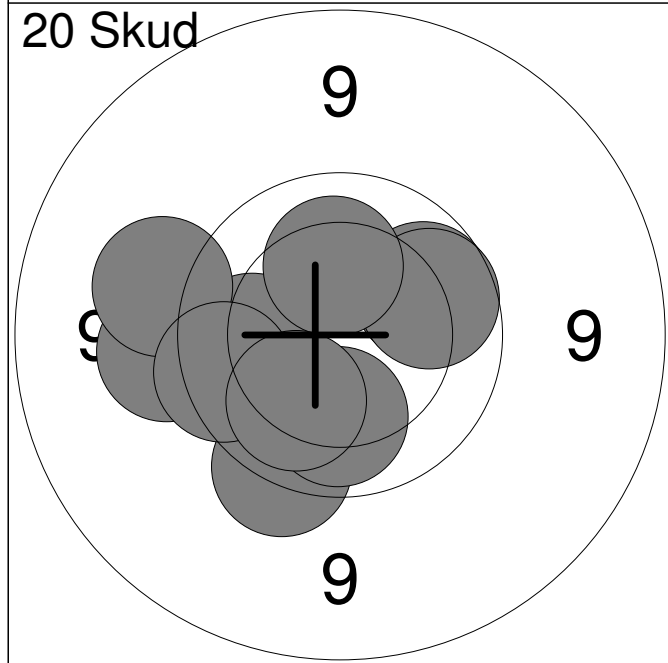
11: 10.2 ←	16: 10.4 ↗	Serie	99.0
12: 10.3 ←	17: 10.4 ↖		
13: 10.2 ↘	18: 10.5 ↘	Total	198.0
14: 10.3 ←	19: 10.3 →		
15: 10.4 →	20: 9.8 →		



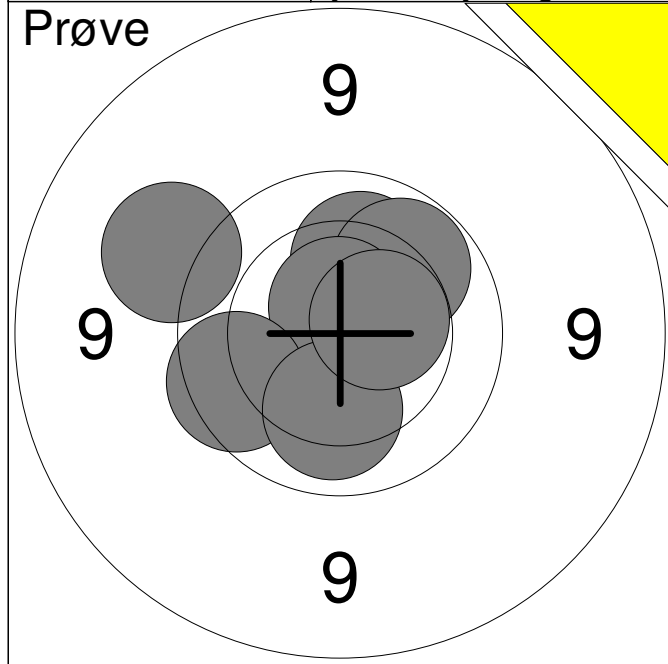
1:	9.8	↘
2:	10.1	↓
3:	10.1	↑
4:	10.1	↑
5:	10.5	↗
6:	10.1	↑
7:	9.9	↑
8:	10.3	↑
9:	10.0	↑
10:	10.3	↑
Serie		98.0
Total		0.0



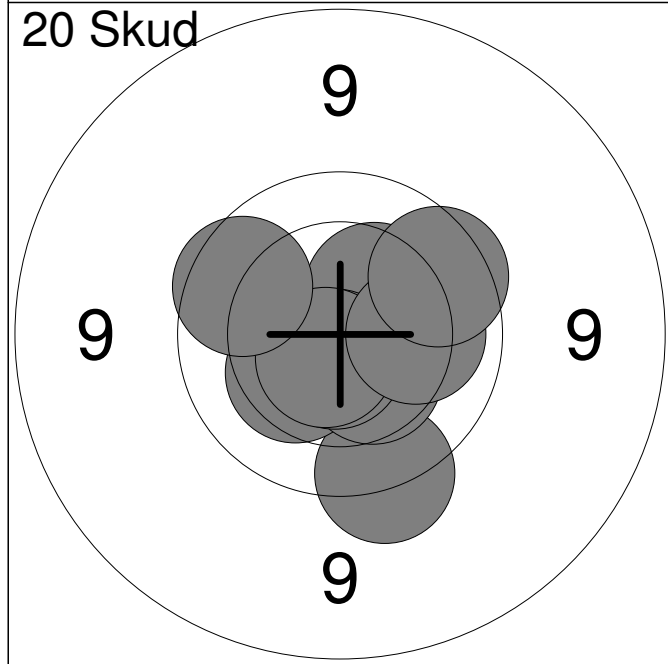
1:	10.3	↙
2:	10.2	↗
3:	10.1	→
4:	9.4	↗
5:	10.2	↓
6:	10.0	↓
7:	10.2	↓
8:	9.9	↑
9:	9.4	↙
10:	*10.6	↓
Serie		97.0
Total		97.0



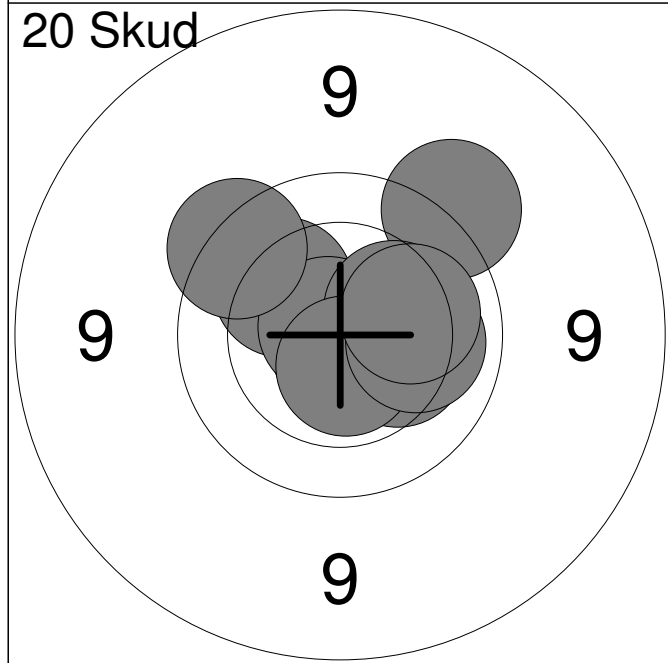
11:	9.4	←
12:	10.0	←
13:	9.6	↓
14:	9.9	↗
15:	9.4	←
16:	9.9	↗
17:	9.8	←
18:	10.1	↓
19:	10.2	↑
20:	10.1	↙
Serie		94.0
Total		191.0



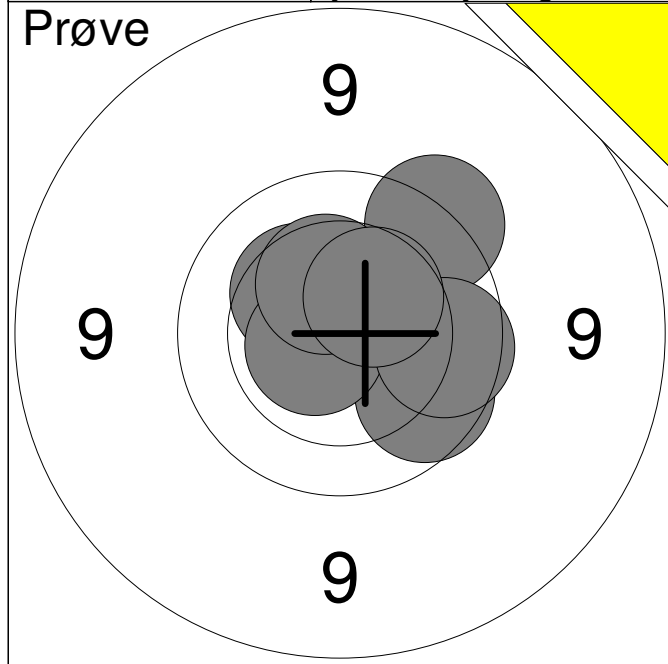
1:	9.4	↖
2:	10.1	↑
3:	10.0	↗
4:	*10.7	↑
5:	9.8	↖
6:	10.1	↓
7:	*10.5	↗
Serie		68.0
Total		0.0



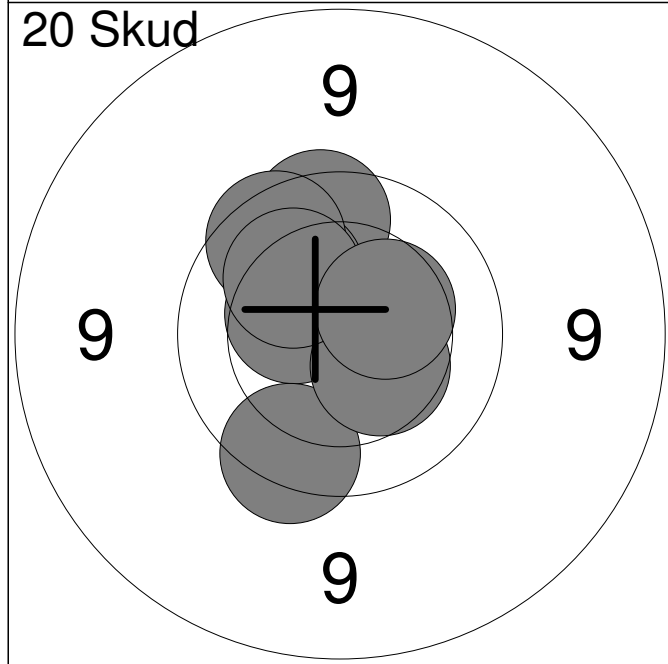
1:	*10.7	↗
2:	9.6	↓
3:	10.3	↖
4:	10.4	↘
5:	10.4	↗
6:	*10.7	↓
7:	*10.7	↖
8:	10.1	→
9:	9.9	↖
10:	9.8	↗
Serie		97.0
Total		97.0



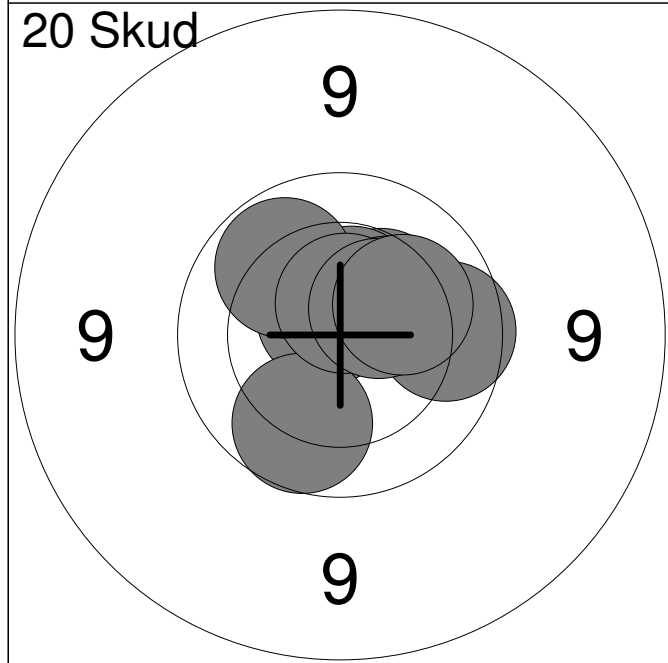
11:	10.3	↘
12:	10.2	↗
13:	*10.8	↓
14:	9.5	↗
15:	*10.8	↗
16:	10.3	↗
17:	*10.6	↓
18:	9.7	↗
19:	10.1	→
20:	10.2	→
Serie		98.0
Total		195.0



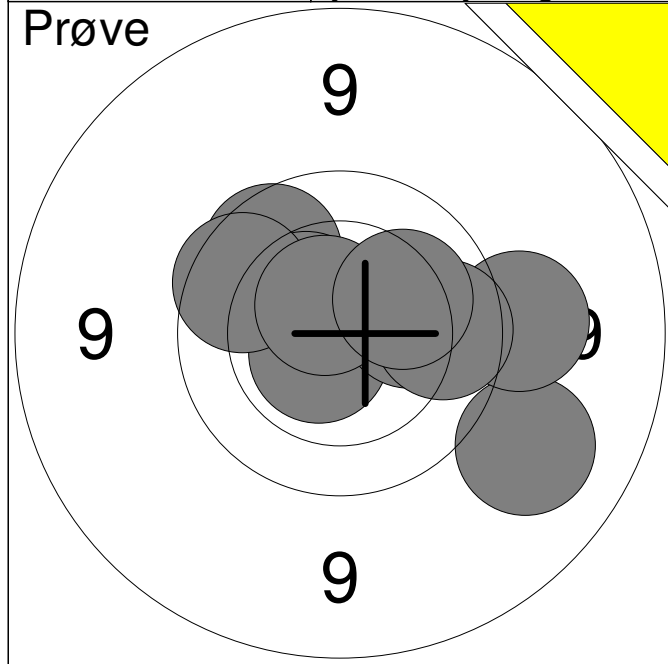
1:	9.9	↘
2:	10.3	↗
3:	*10.6	↙
4:	9.6	↗
5:	9.9	→
6:	10.4	↗
7:	10.4	↗
Serie		67.0
Total		0.0



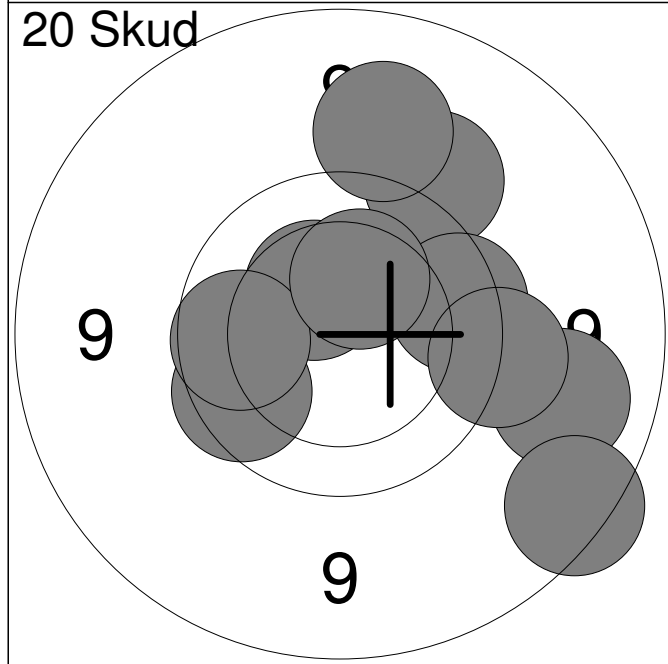
1:	10.0	↗
2:	10.1	↗
3:	10.4	↗
4:	9.8	↗
5:	9.7	↘
6:	10.4	↘
7:	10.2	↗
8:	9.8	↗
9:	10.2	↗
10:	10.4	↗
Serie		97.0
Total		97.0



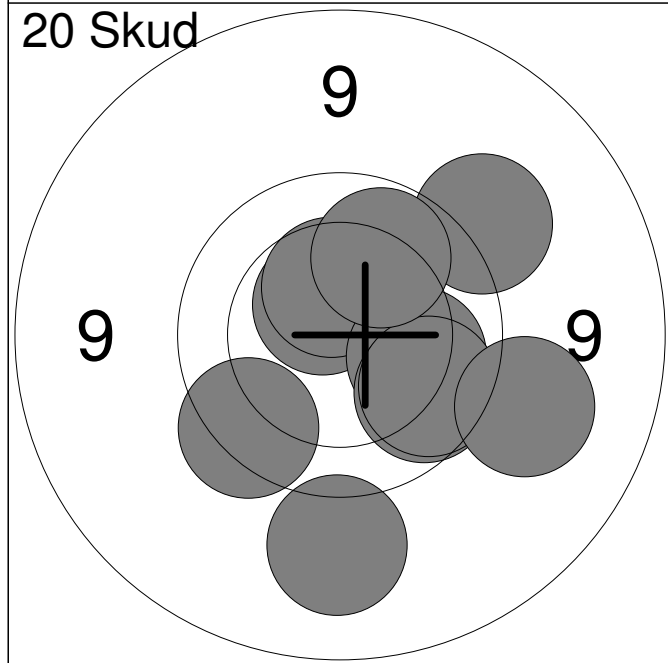
11:	*10.7	↗
12:	9.9	→
13:	10.4	↗
14:	*10.5	↗
15:	10.0	↗
16:	10.4	↗
17:	9.9	↘
18:	*10.6	↗
19:	10.4	↗
20:	10.2	↗
Serie		98.0
Total		195.0



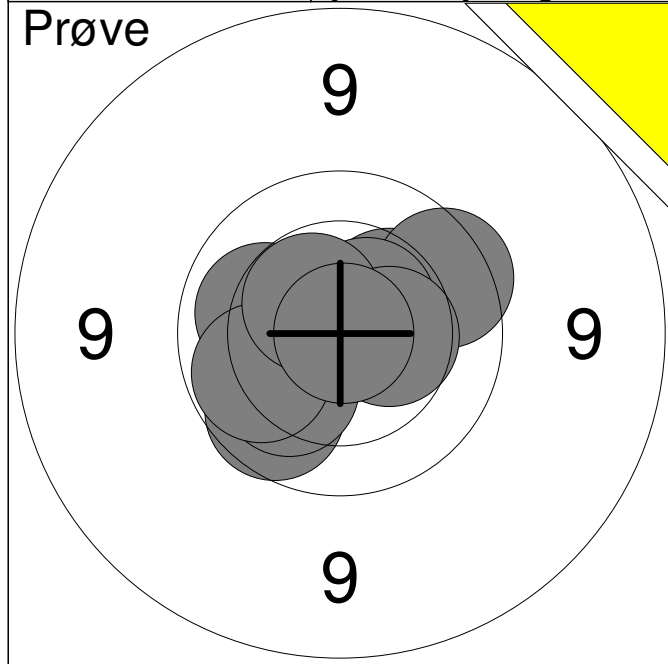
1:	9.9	↗
2:	10.4	↗
3:	*10.6	↘
4:	9.8	↗
5:	10.2	→
6:	9.2	↘
7:	9.4	→
8:	9.9	→
9:	*10.6	↗
10:	10.2	↗
Serie		95.0
Total		0.0



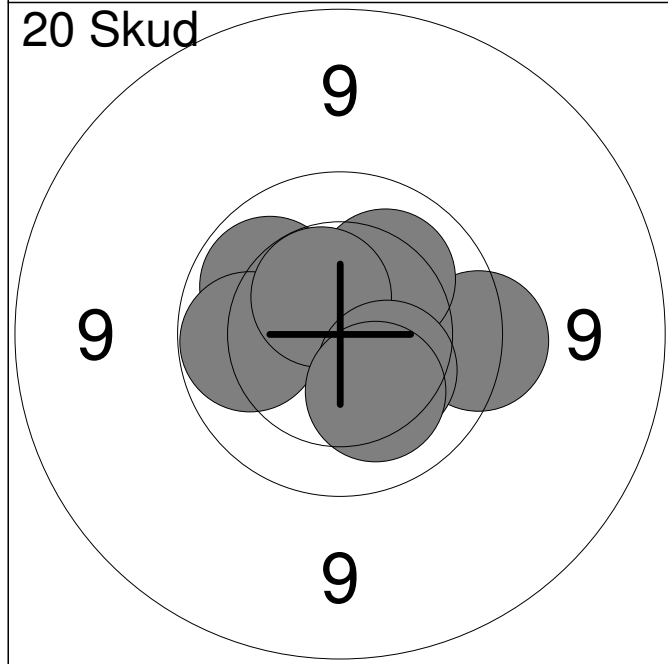
1:	9.1	→
2:	9.8	↖
3:	9.4	↗
4:	9.8	→
5:	9.5	→
6:	10.4	↗
7:	8.8	↘
8:	9.9	←
9:	10.3	↗
10:	9.2	↗
Serie		91.0
Total		91.0



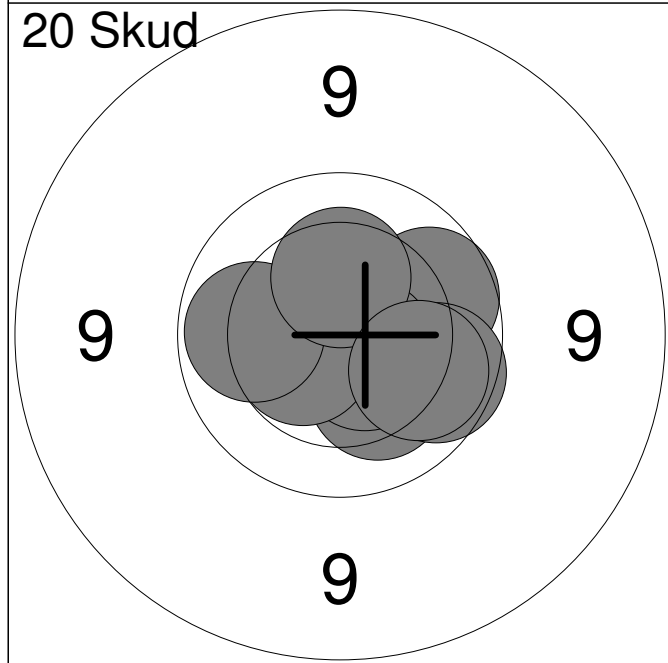
11:	*10.6	↗
12:	10.4	↗
13:	10.1	→
14:	9.9	↘
15:	9.2	↘
16:	9.9	↘
17:	9.4	↗
18:	10.0	↗
19:	9.7	↘
20:	9.3	→
Serie		94.0
Total		185.0



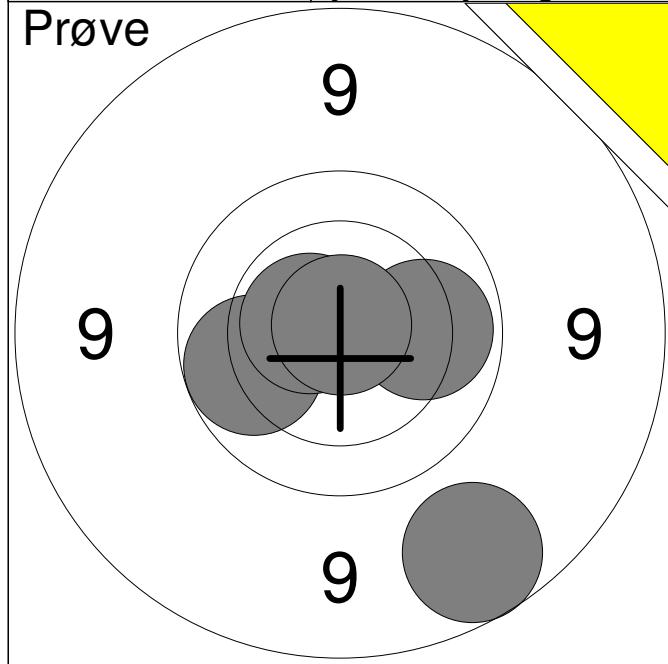
1:	10.1	←
2:	9.9	↙
3:	10.2	↙
4:	10.0	←
5:	10.3	↗
6:	9.8	↗
7:	*10.6	↗
8:	10.4	→
9:	*10.5	↖
10:	*10.9	→
Serie		98.0
Total		0.0



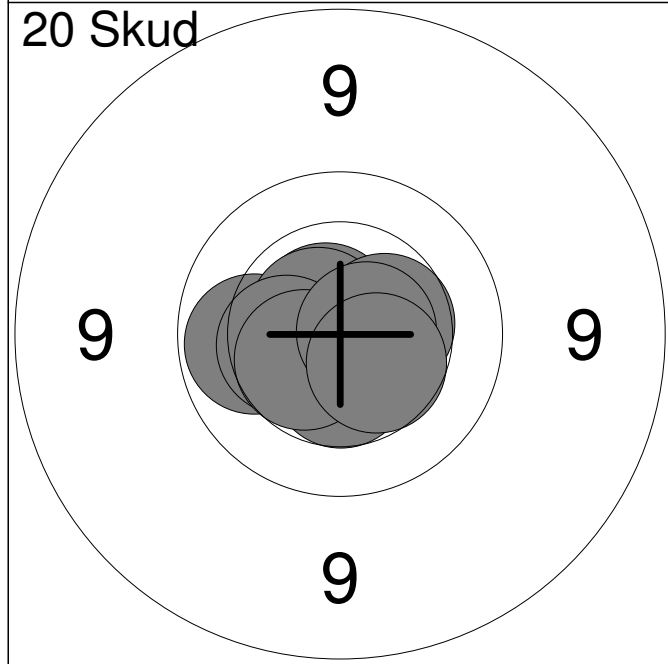
1:	*10.6	↗
2:	10.4	↗
3:	10.0	↖
4:	10.2	→
5:	10.0	←
6:	9.7	→
7:	10.2	↗
8:	*10.5	↖
9:	10.3	↘
10:	10.2	↘
Serie		99.0
Total		99.0



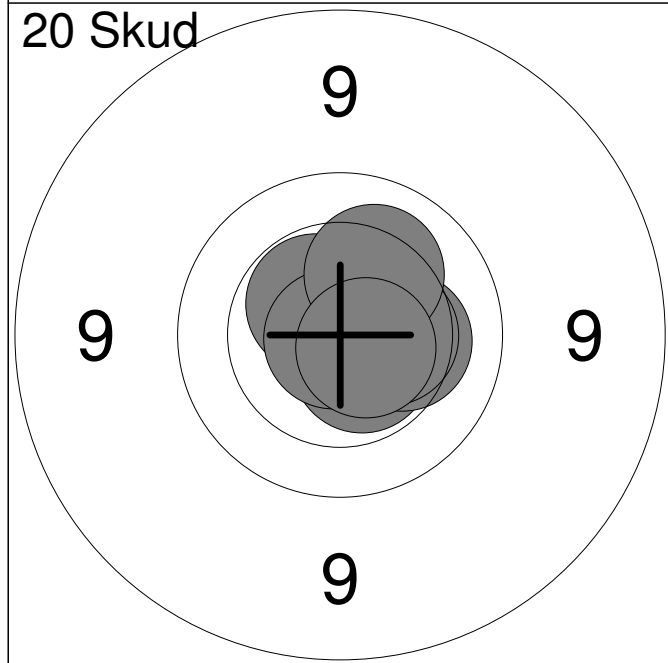
11:	10.4	→
12:	9.9	↗
13:	10.2	↘
14:	*10.6	↘
15:	*10.6	↘
16:	*10.5	←
17:	10.0	←
18:	10.3	↑
19:	9.9	↘
20:	10.0	↘
Serie		98.0
Total		197.0



1:	8.9	↘
2:	10.0	←
3:	*10.6	←
4:	10.0	→
5:	*10.9	↑
Serie		48.0
Total		0.0



1:	10.0	←
2:	*10.7	↗
3:	*10.7	↘
4:	10.5	↓
5:	*10.7	↗
6:	10.4	←
7:	10.5	↙
8:	10.5	→
9:	*10.7	→
10:	10.4	↘
Serie		100.0
Total		100.0

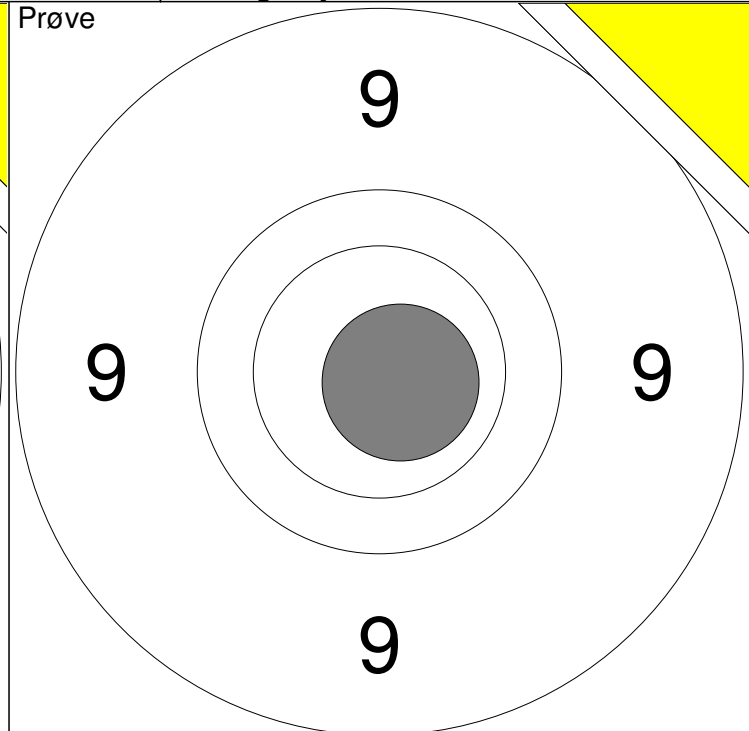
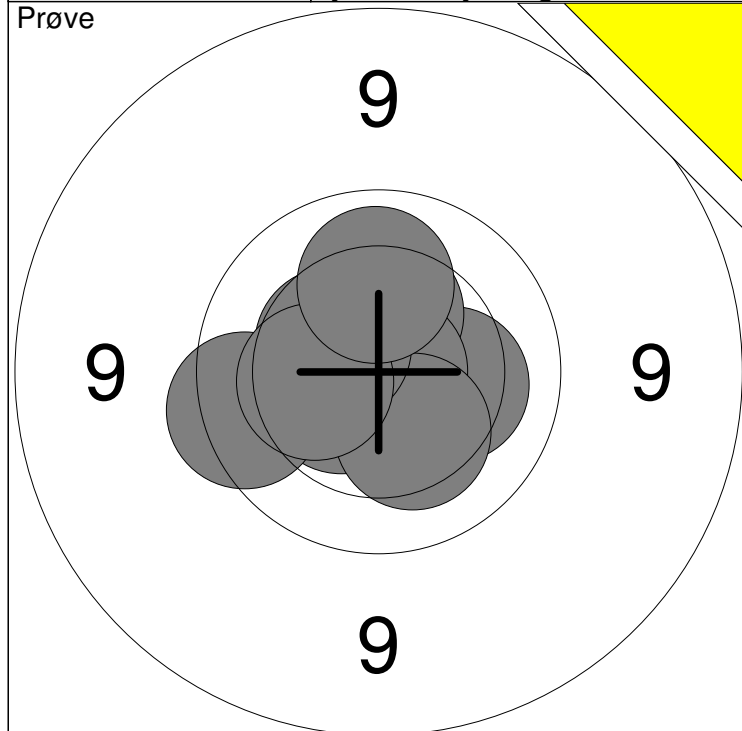


11:	*10.6	↑
12:	10.5	→
13:	*10.6	↘
14:	*10.8	↘
15:	*10.5	↗
16:	*10.9	↙
17:	10.3	→
18:	10.4	→
19:	10.2	↗
20:	*10.6	↘
Serie		100.0
Total		200.0

Hold 1	Skive 11	Jørgen Thomsen	
------------------	--------------------	-----------------------	--

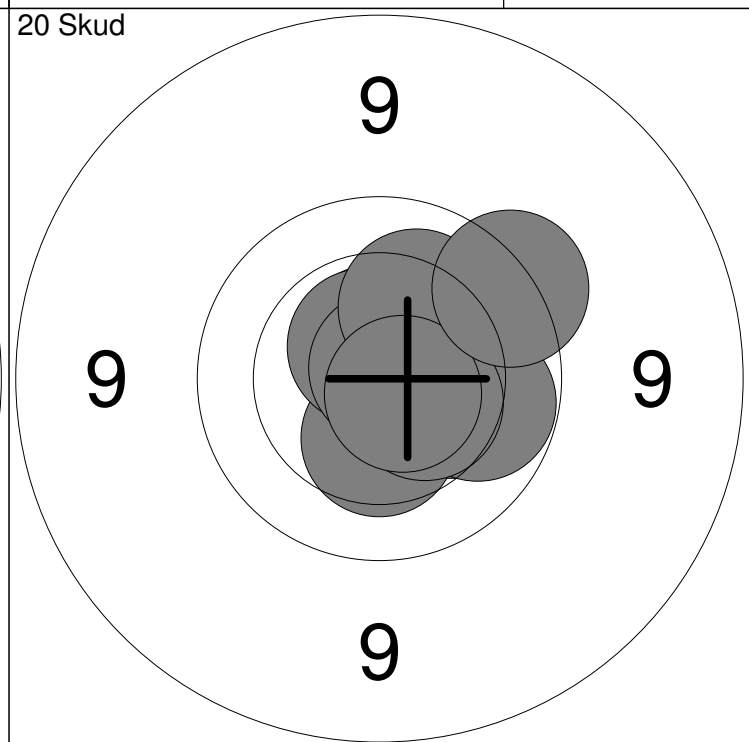
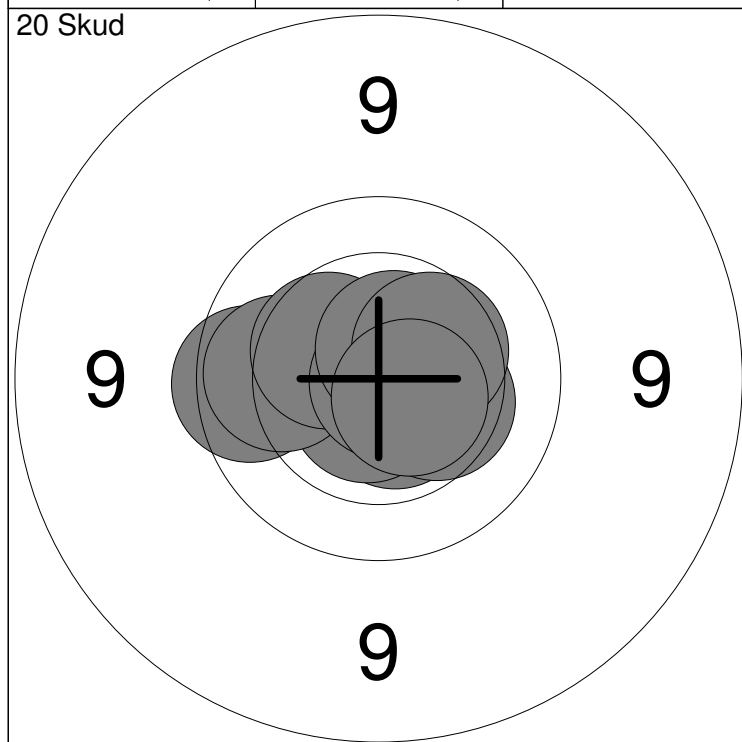
15m	Hobro Egnens Skytteforening		
-----	-----------------------------	--	--

	Jyllandsskydning	Aalborg Skyttekreds	
--	------------------	---------------------	--



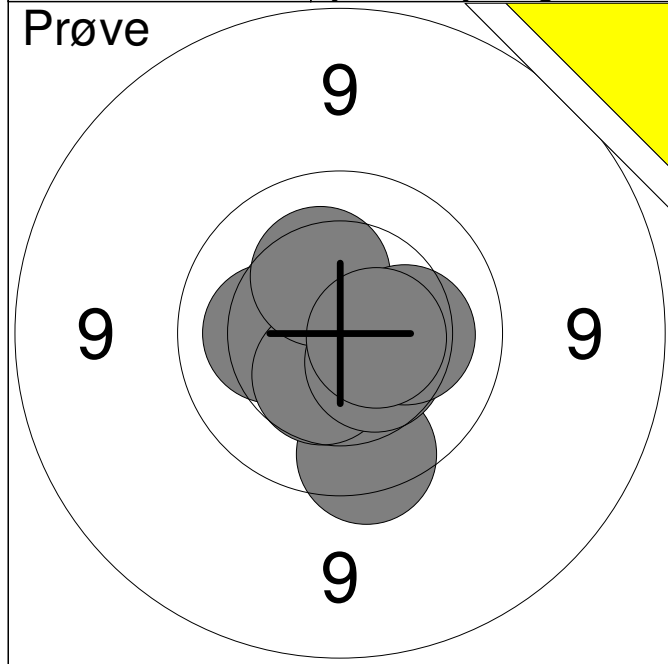
1: *10.5 ↙	6: *10.8 →	Serie	99.0
2: 10.2 →	7: 10.3 ↘		
3: *10.5 ↙	8: 10.4 ↖	Total	0.0
4: 9.8 ←	9: 10.3 ←		
5: 10.4 ↑	10: 10.1 ↑		

11: *10.7 ↘	Serie	10.0
	Total	0.0

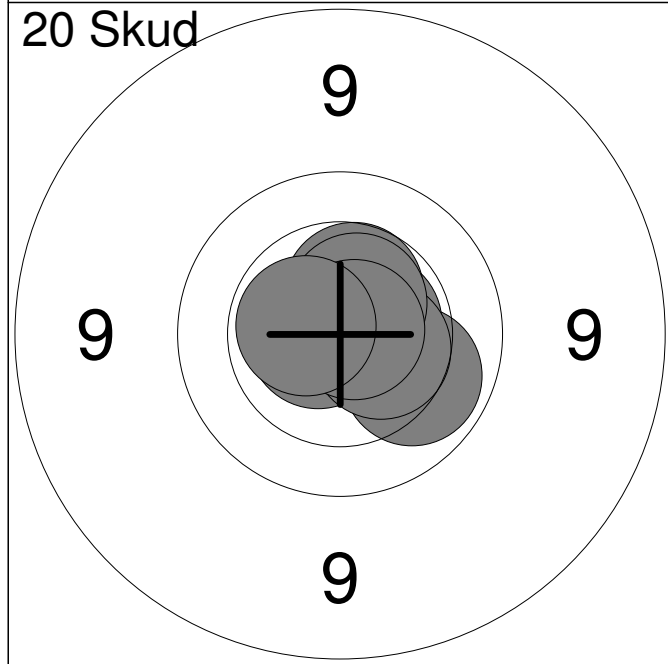


1: 9.8 ←	6: *10.9 →	Serie	99.0
2: *10.6 ↘	7: 10.3 →		
3: *10.7 ↘	8: *10.6 ↗	Total	99.0
4: 10.0 ←	9: 10.4 ↗		
5: 10.4 ↖	10: *10.6 ↘		

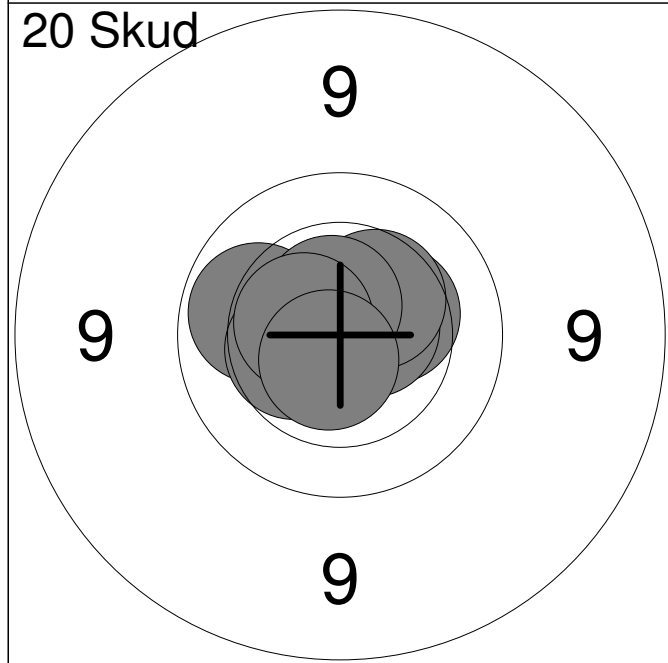
11: *10.6 ↑	16: 10.0 →	Serie	99.0
12: 10.2 →	17: 10.2 ↗		
13: 10.4 ↘	18: 10.5 ↘	Total	198.0
14: *10.6 ↖	19: *10.7 ↘		
15: *10.8 ↗	20: 9.6 ↗		



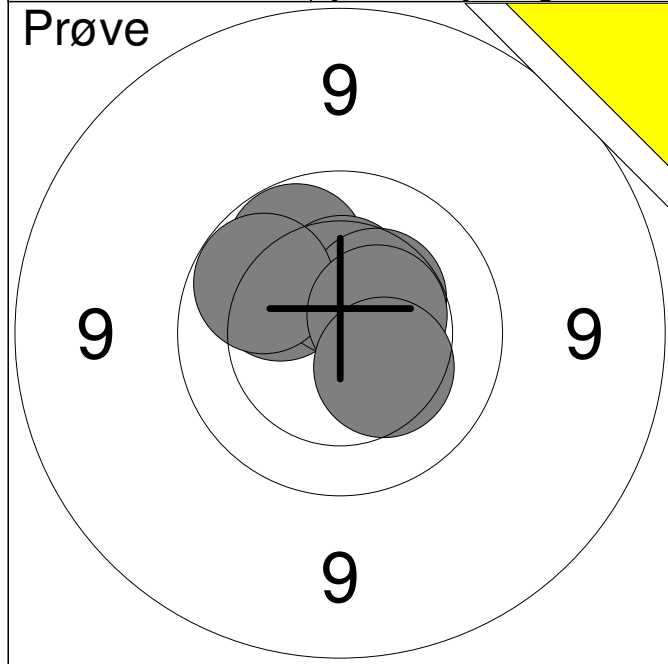
1:	9.8	↓
2:	*10.8	↗
3:	10.2	←
4:	10.5	↓
5:	10.5	↘
6:	10.3	↗
7:	10.2	→
8:	*10.6	→
Serie		79.0
Total		0.0



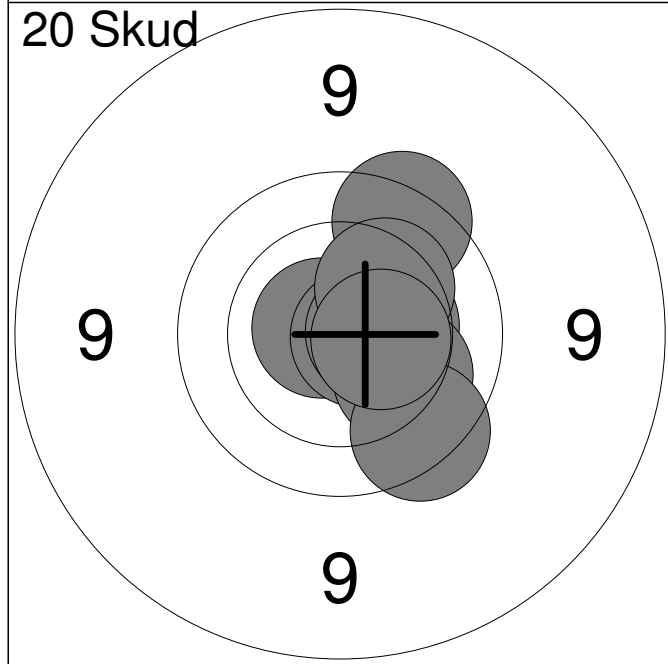
1:	10.1	↘
2:	*10.6	→
3:	*10.7	→
4:	*10.7	←
5:	*10.7	↗
6:	10.5	↗
7:	10.5	↘
8:	*10.6	↗
9:	*10.8	→
10:	*10.6	←
Serie		100.0
Total		100.0



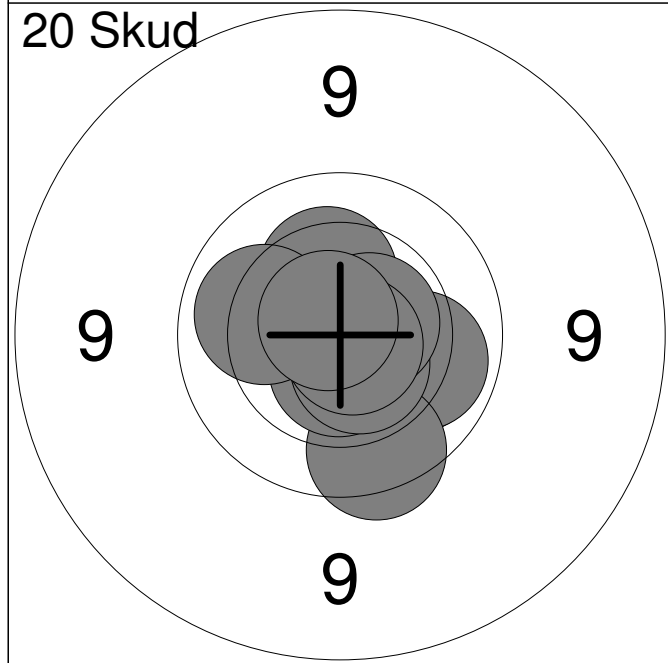
11:	10.4	→
12:	*10.8	→
13:	*10.8	↗
14:	10.0	←
15:	10.4	←
16:	*10.6	→
17:	10.4	↗
18:	*10.6	↗
19:	*10.5	←
20:	*10.7	↘
Serie		100.0
Total		200.0



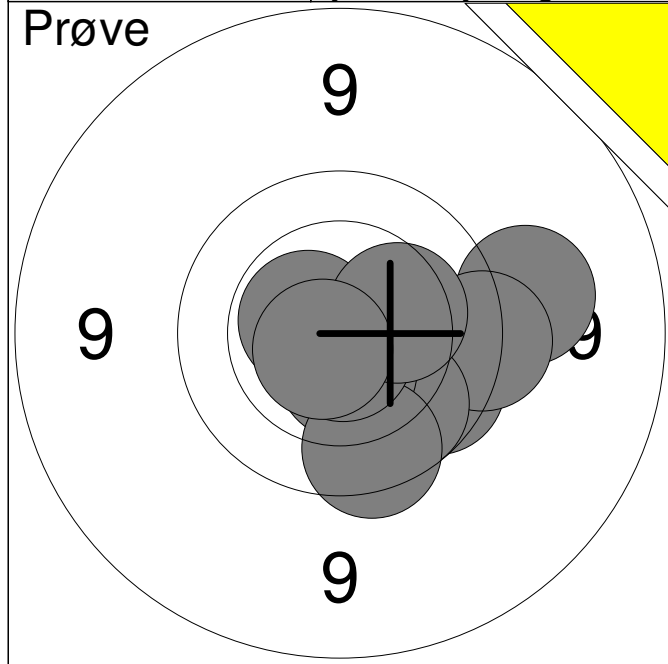
	1:	10.2	↗
	2:	10.0	↗
	3:	10.4	↑
	4:	10.4	↗
	5:	10.0	↗
	6:	*10.5	↗
	7:	10.3	↘
Serie			70.0
Total			0.0



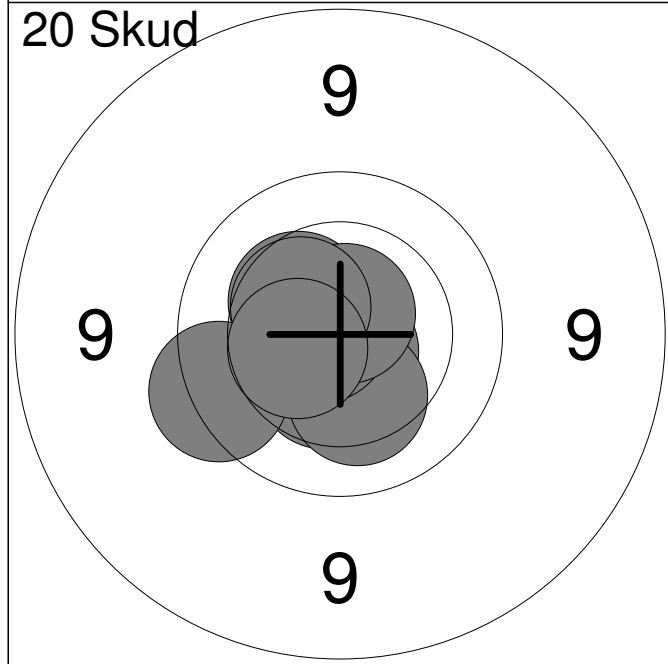
	1:	*10.5	↗
	2:	*10.7	↖
	3:	10.4	→
	4:	*10.7	→
	5:	9.7	↗
	6:	10.1	↘
	7:	*10.6	→
	8:	9.7	↘
	9:	10.3	↗
	10:	*10.5	→
Serie			98.0
Total			98.0



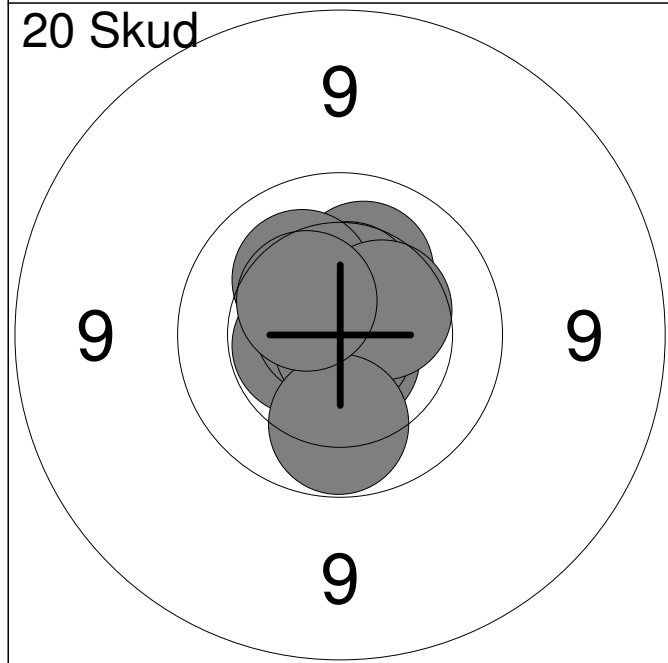
	11:	10.1	↘
	12:	10.3	↑
	13:	10.1	↘
	14:	9.8	↘
	15:	*10.6	↘
	16:	*10.6	↘
	17:	10.1	↖
	18:	*10.6	↗
	19:	*10.8	↘
	20:	*10.7	↗
Serie			99.0
Total			197.0



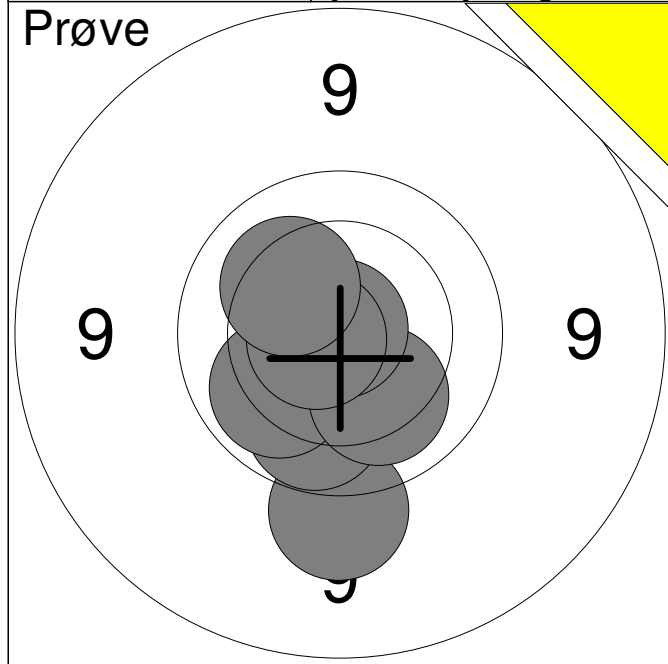
1:	9.4	→
2:	9.9	↘
3:	9.6	→
4:	10.0	↘
5:	*10.5	↘
6:	9.8	↘
7:	*10.8	↘
8:	*10.6	↗
9:	10.3	→
10:	*10.7	↙
Serie		96.0
Total		0.0



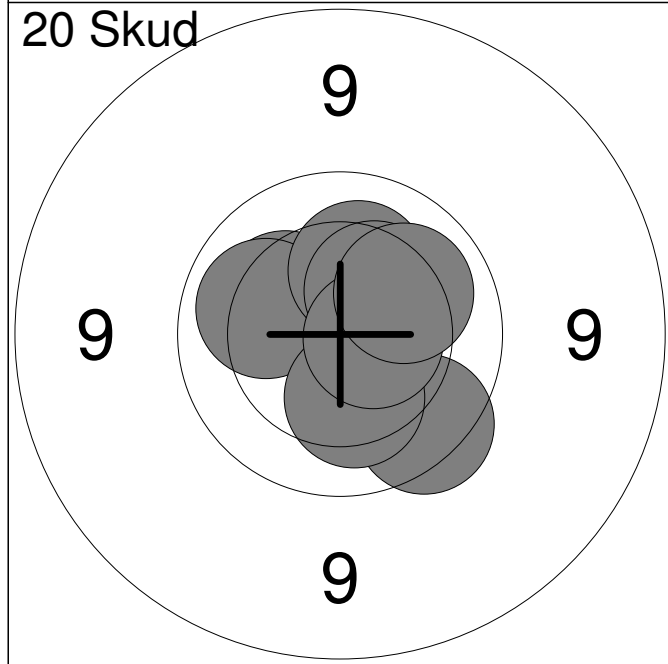
1:	*10.9	↙
2:	10.4	↗
3:	10.4	↘
4:	*10.7	↘
5:	10.3	↘
6:	*10.7	←
7:	9.7	←
8:	*10.7	↑
9:	10.4	↗
10:	10.5	↙
Serie		99.0
Total		99.0



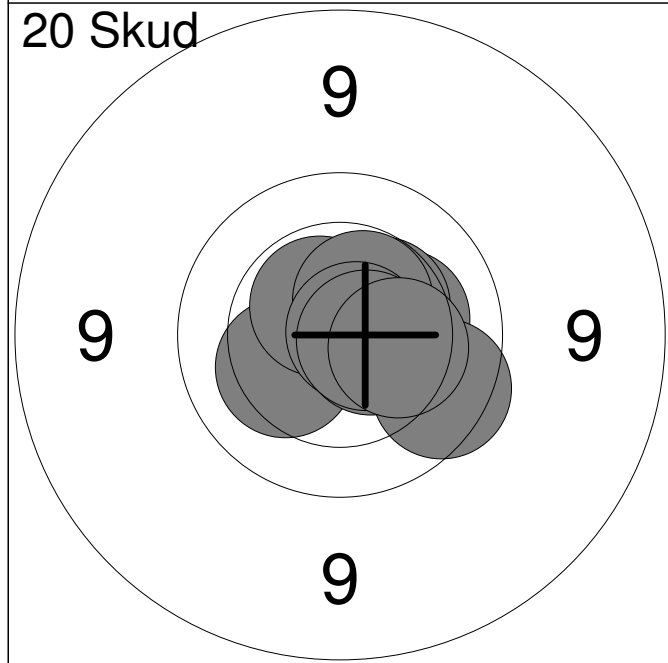
11:	*10.7	↘
12:	10.2	↑
13:	10.5	↑
14:	*10.5	←
15:	10.2	↗
16:	*10.8	↗
17:	*10.9	↘
18:	10.4	↗
19:	10.0	↘
20:	10.4	↗
Serie		100.0
Total		199.0



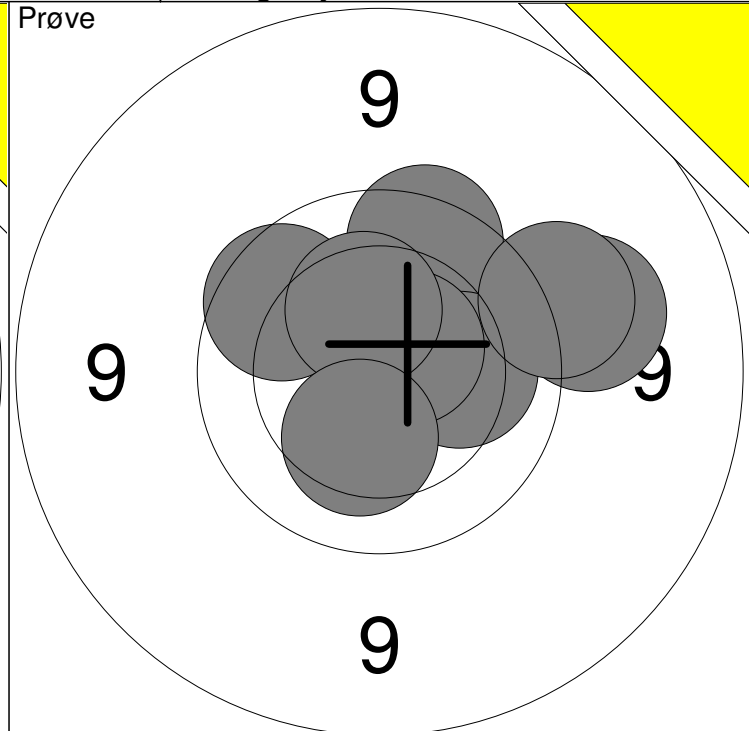
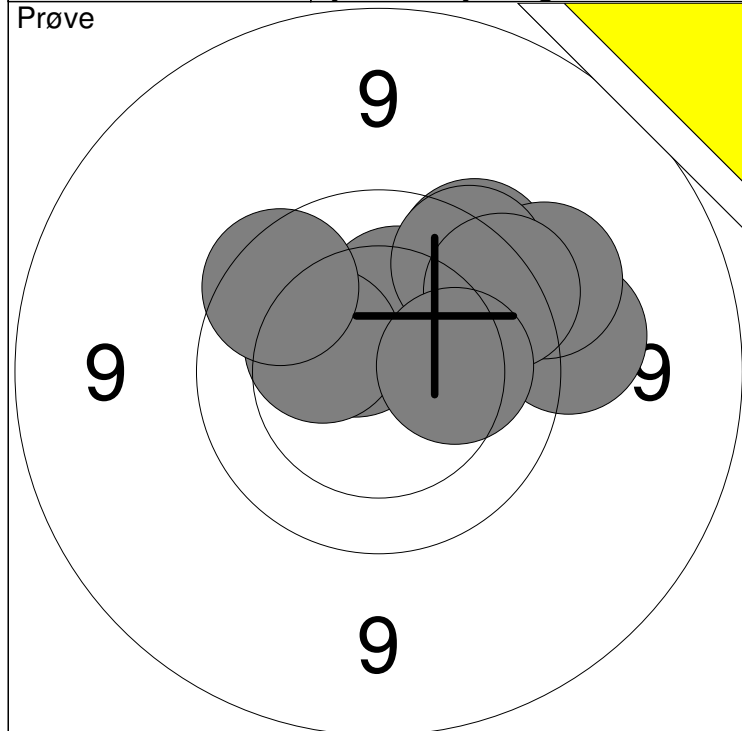
1:	*10.7	↓
2:	9.4	↓
3:	10.0	↓
4:	10.1	↙
5:	10.2	↓
6:	*10.9	↗
7:	*10.7	↖
8:	10.2	↗
Serie		79.0
Total		0.0



1:	*10.8	→
2:	*10.9	↑
3:	9.8	↓
4:	10.3	↗
5:	10.1	↖
6:	10.2	↓
7:	10.2	↑
8:	10.4	↗
9:	*10.6	→
10:	10.1	↗
Serie		99.0
Total		99.0

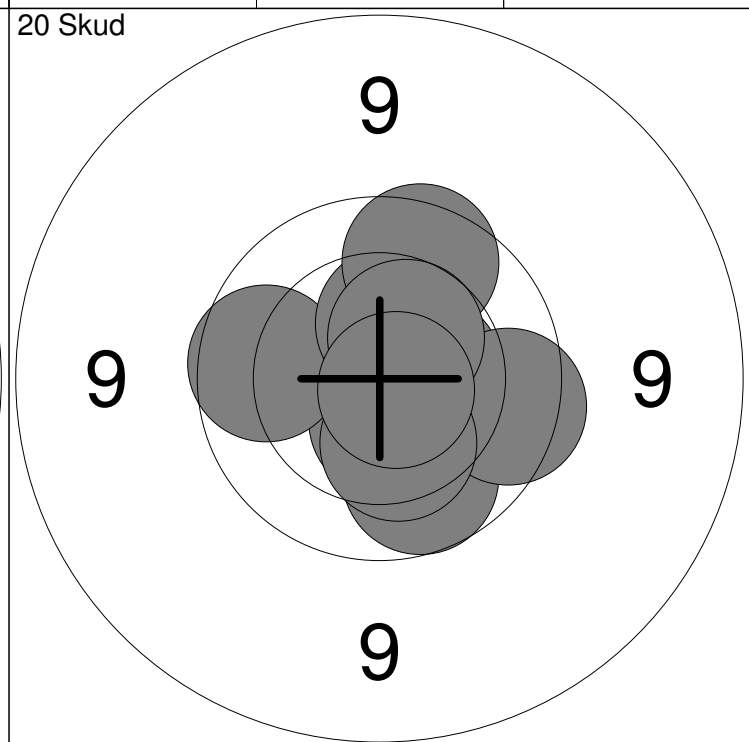
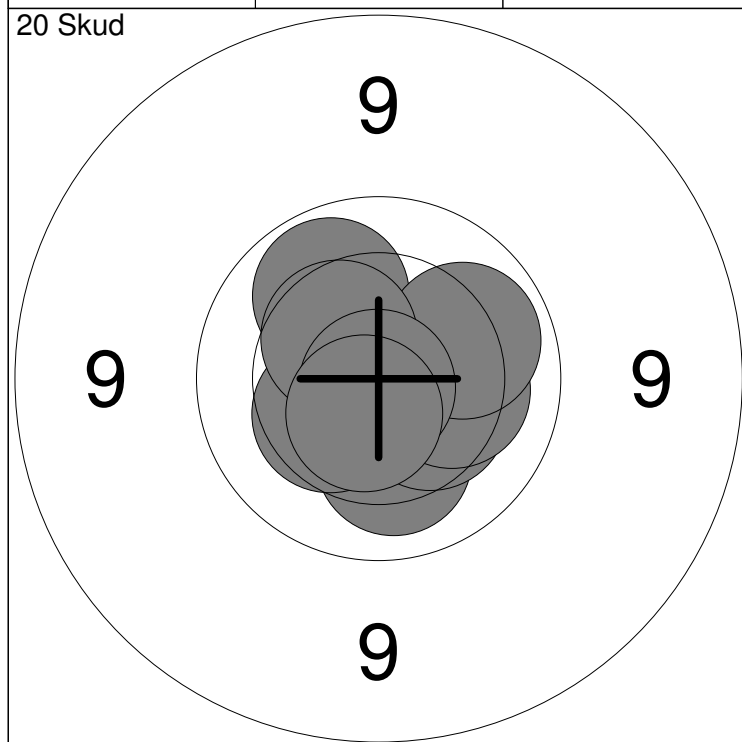


11:	10.3	↖
12:	10.3	→
13:	10.4	↗
14:	9.8	↓
15:	*10.6	→
16:	*10.6	↗
17:	*10.5	↗
18:	*10.8	→
19:	*10.7	→
20:	10.3	→
Serie		99.0
Total		198.0



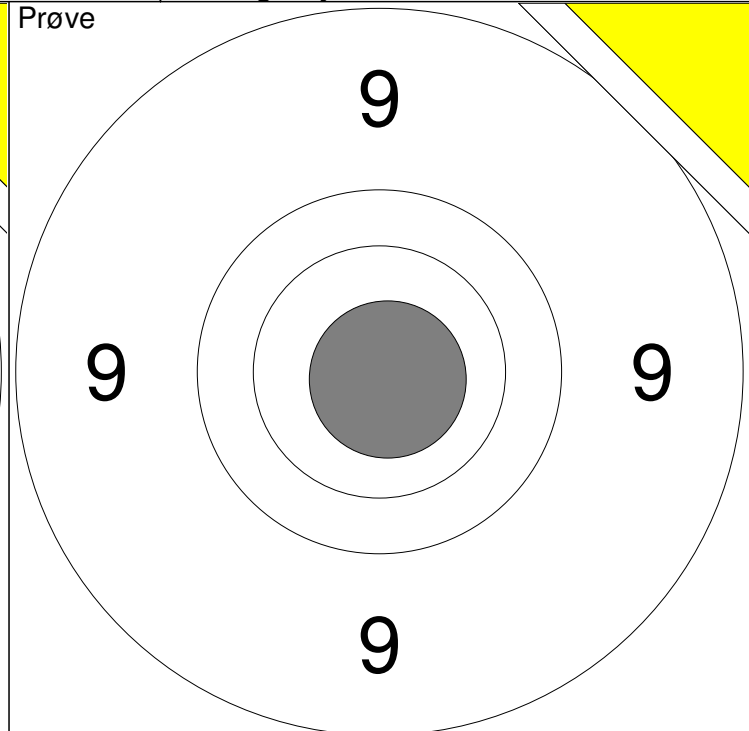
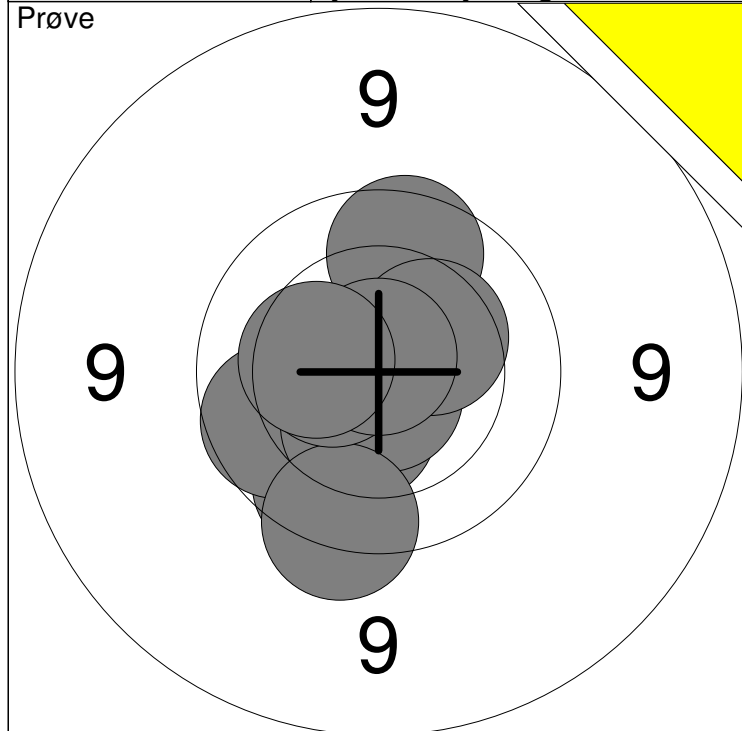
1: 9.5 →	6: 9.7 ↗	Serie	94.0
2: 9.7 ↗	7: 10.3 ↖		
3: 9.5 →	8: 9.8 ↖	Total	0.0
4: *10.6 ↖	9: 9.7 ↗		
5: 10.3 ↑	10: 10.2 →		

11: 9.3 →	16: *10.6 ↗	Serie	76.0
12: 9.8 ↑	17: 10.3 ↑		
13: 10.2 →	18: 10.3 ↓	Total	0.0
14: 9.5 →			
15: 9.9 ↖			



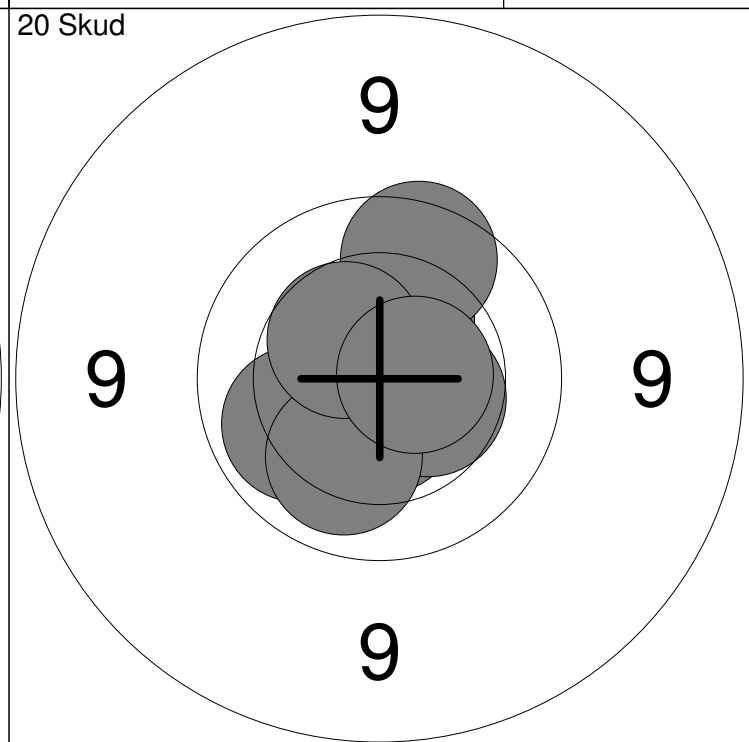
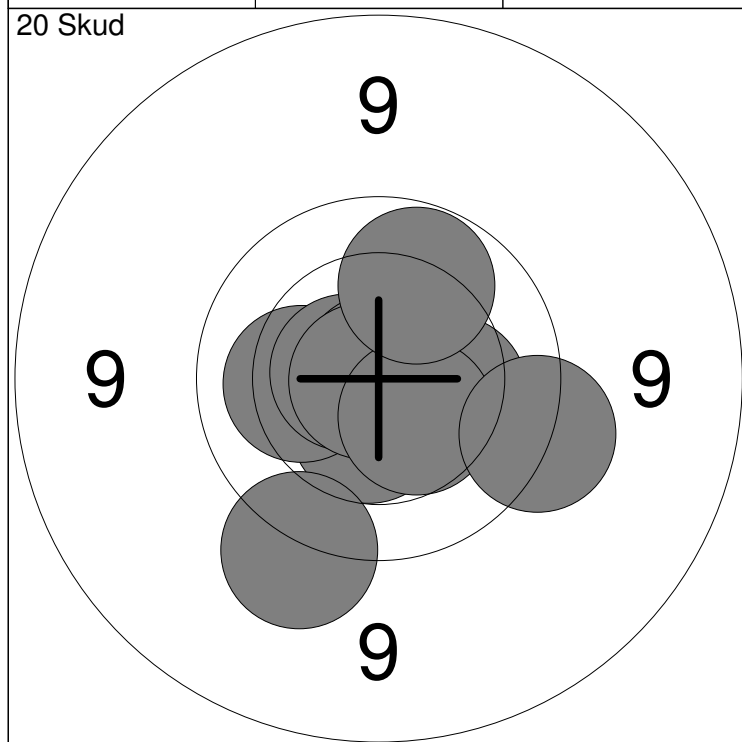
1: 10.2 ↓	6: 10.2 →	Serie	100.0
2: 10.4 ↖	7: 10.1 ↗		
3: 10.0 ↗	8: 10.4 ↖	Total	100.0
4: 10.4 →	9: *10.9 ↓		
5: 10.4 →	10: *10.6 ↓		

11: *10.5 ↓	16: 9.9 ↓	Serie	96.0
12: 9.9 ←	17: 9.8 →		
13: 10.4 ↑	18: 10.3 ↓	Total	196.0
14: 9.8 ↑	19: 10.5 ↗		
15: *10.5 →	20: *10.8 ↘		



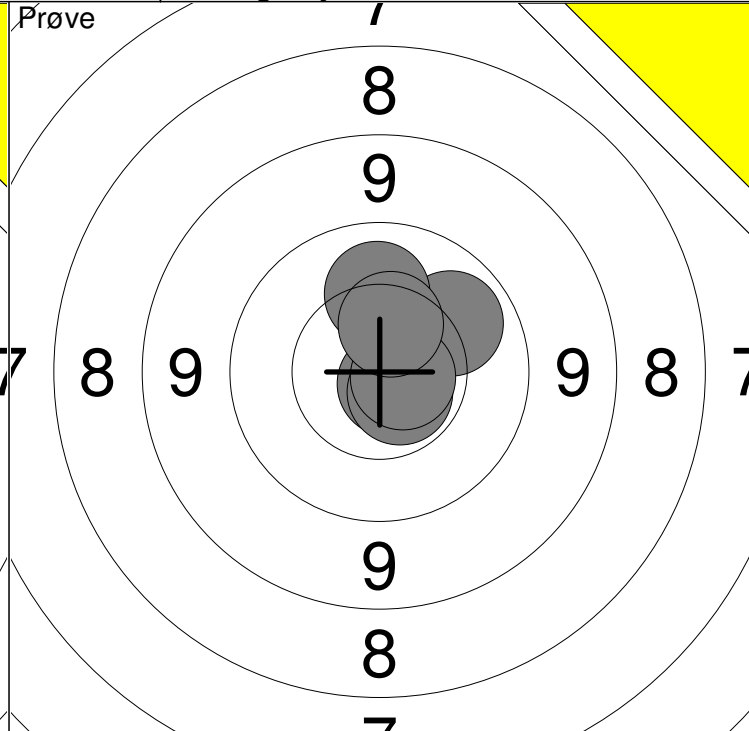
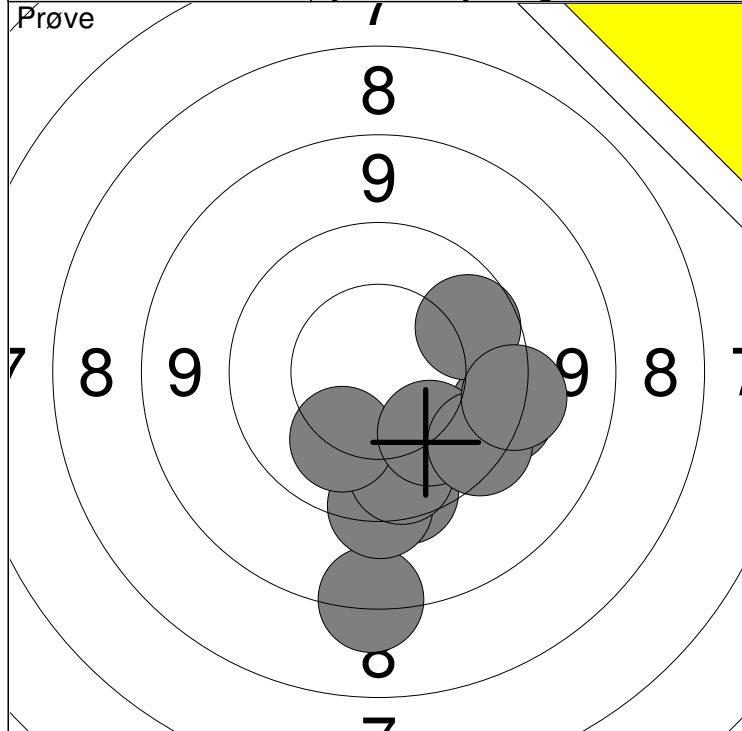
1: 9.9 ↓	6: 9.7 ↓	Serie	96.0
2: 9.9 ↙	7: *10.5 ←		
3: 9.9 ↑	8: 10.4 ↗	Total	0.0
4: 10.4 ↓	9: *10.8 ↑		
5: *10.7 ↓	10: 10.3 ←		

11: *10.8 ↘		Serie	10.0
		Total	0.0



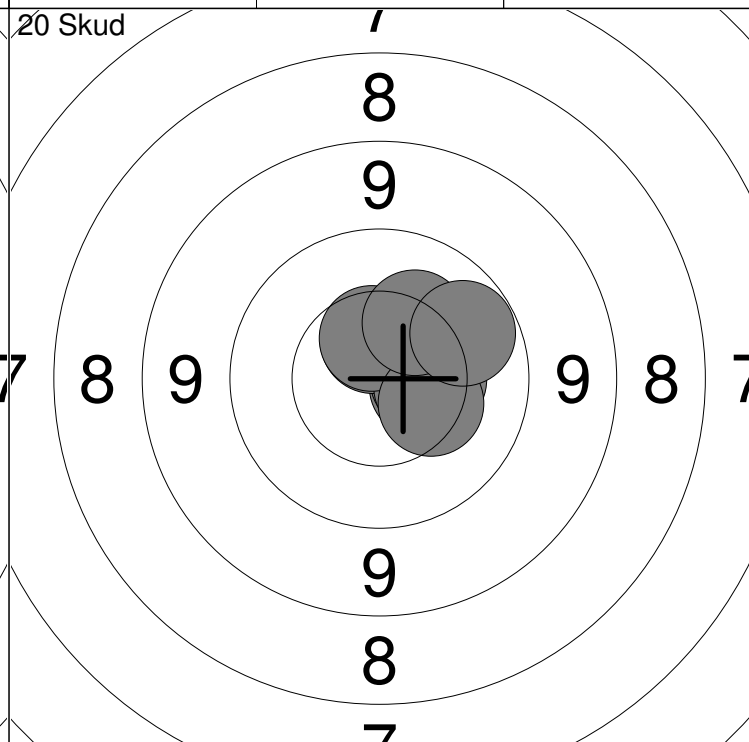
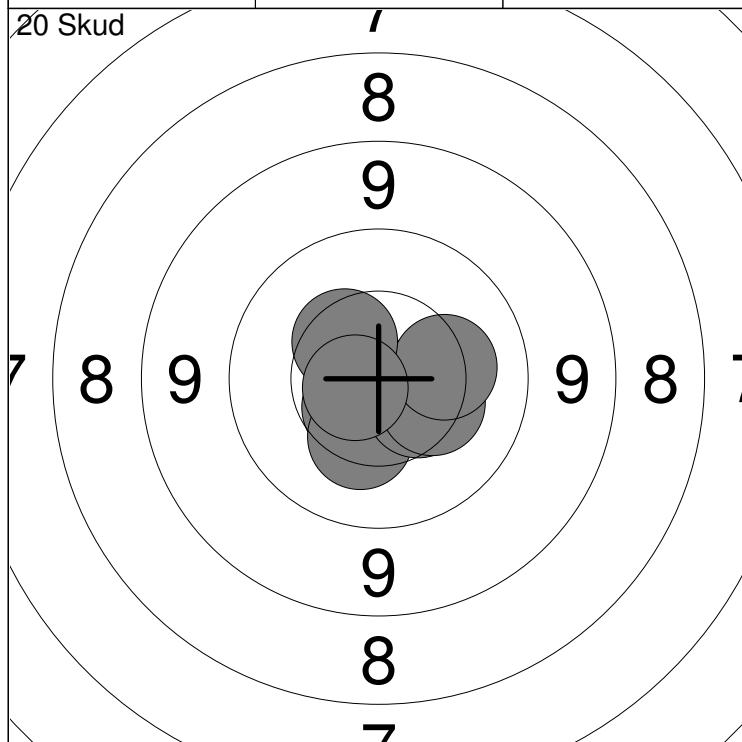
1: *10.5 ↓	6: 10.3 →	Serie	98.0
2: 9.5 ↓	7: *10.8 ←		
3: 10.2 ←	8: 10.4 ↓	Total	98.0
4: *10.7 ←	9: 9.6 →		
5: *10.9 ↑	10: 10.0 ↑		

11: *10.6 ↓	16: *10.8 ←	Serie	99.0
12: *10.7 ↓	17: 9.8 ↑		
13: 10.1 ↙	18: 10.1 ↓	Total	197.0
14: 10.4 ↑	19: 10.5 ↖		
15: 10.4 →	20: *10.6 →		



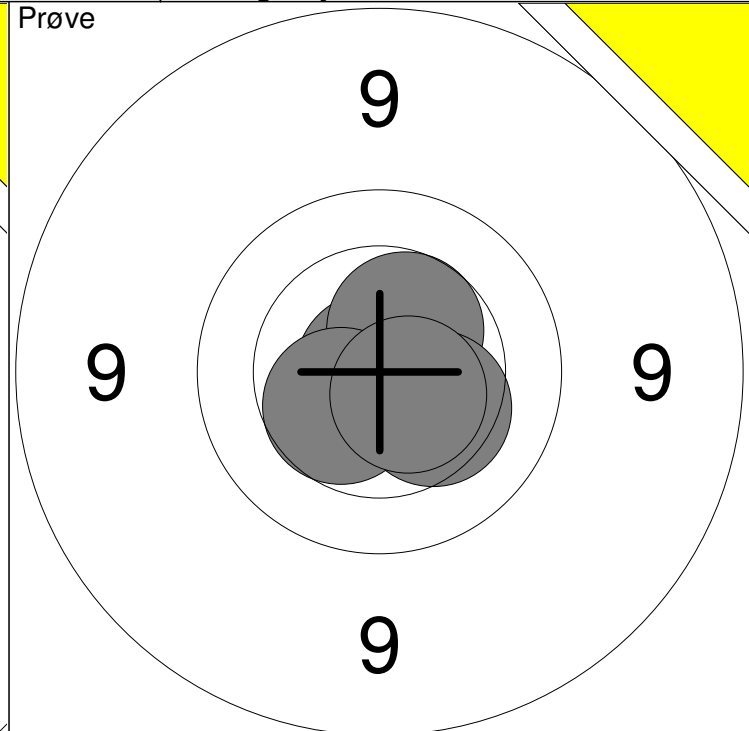
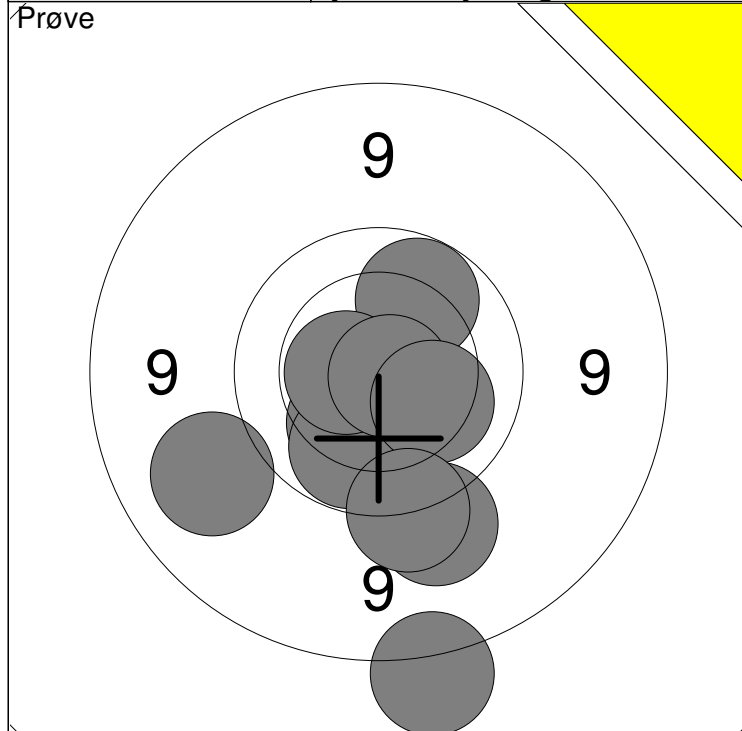
1: 8.5 ↓	6: 10.2 ↙	Serie	91.0
2: 9.7 ↓	7: 10.1 ↙		
3: 9.5 ↓	8: 9.6 ↙	Total	0.0
4: 9.9 ↓	9: 9.9 ↗		
5: 9.6 →	10: 9.5 →		

11: *10.8 ↘	16: 10.4 ↑	Serie	60.0
12: 10.1 ↗			
13: *10.7 ↘		Total	0.0
14: 10.1 ↑			
15: *10.7 →			



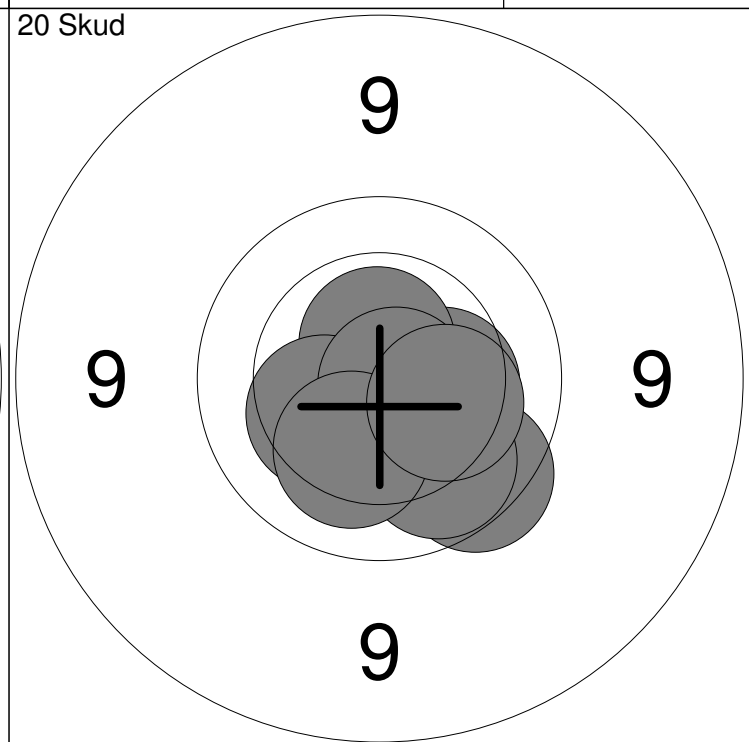
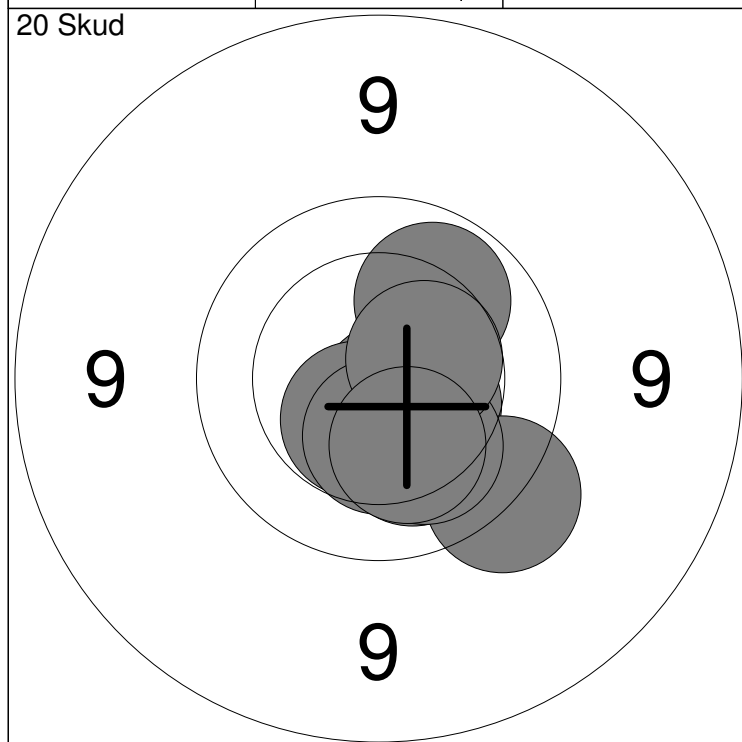
1: 10.6 ↙	6: 10.5 ↘	Serie	100.0
2: 10.4 →	7: 10.3 →		
3: *10.7 ↙	8: 10.3 →	Total	100.0
4: 10.3 ↓	9: 10.4 ↗		
5: *10.6 →	10: *10.7 ↙		

11: 10.5 →	16: 10.3 ↗	Serie	100.0
12: 10.5 →	17: 10.5 ↑		
13: 10.6 ↑	18: 10.4 →	Total	200.0
14: 10.4 →	19: 10.3 ↗		
15: 10.5 →	20: 10.0 →		



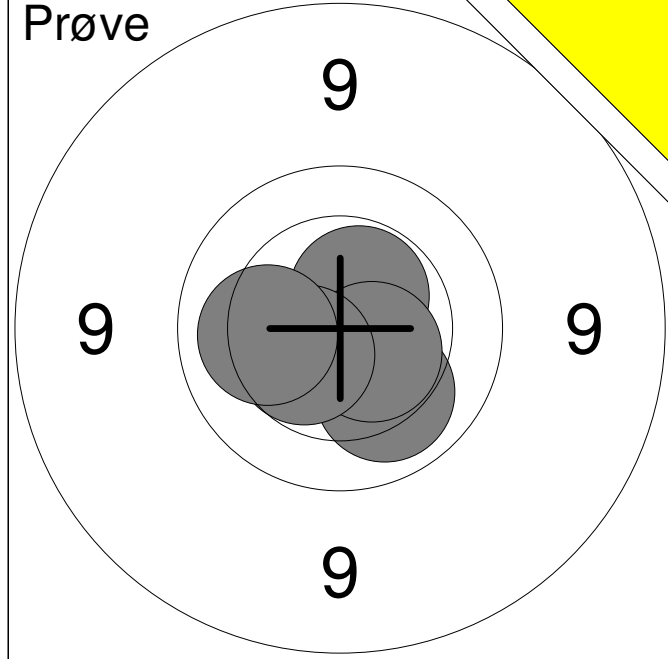
1: 8.6 ↓	6: 9.4 ↓	Serie	95.0
2: 9.2 ↙	7: *10.6↙		
3: 10.0 ↗	8: *10.8→	Total	0.0
4: 10.2 ↓	9: 10.2 ↘		
5: 10.0 ↓	10: 9.5 ↓		

11: *10.9↙	Serie	50.0
12: 10.5 ↗		
13: 10.3 ↘	Total	0.0
14: 10.5 ↙		
15: *10.6↘		

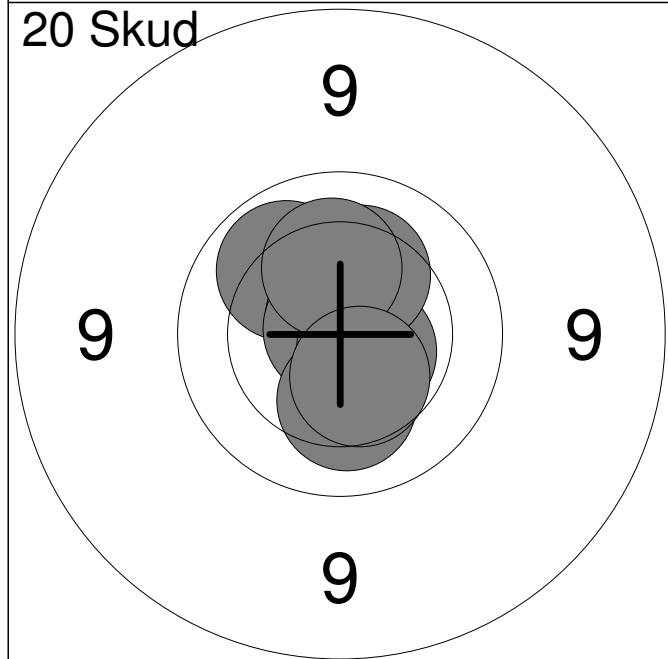


1: 10.2 ↓	6: 9.6 ↓	Serie	99.0
2: 10.5 ↘	7: 10.4 ↓		
3: 10.0 ↗	8: 10.2 ↓	Total	99.0
4: *10.7↘	9: 10.5 ↗		
5: *10.5↘	10: 10.3 ↓		

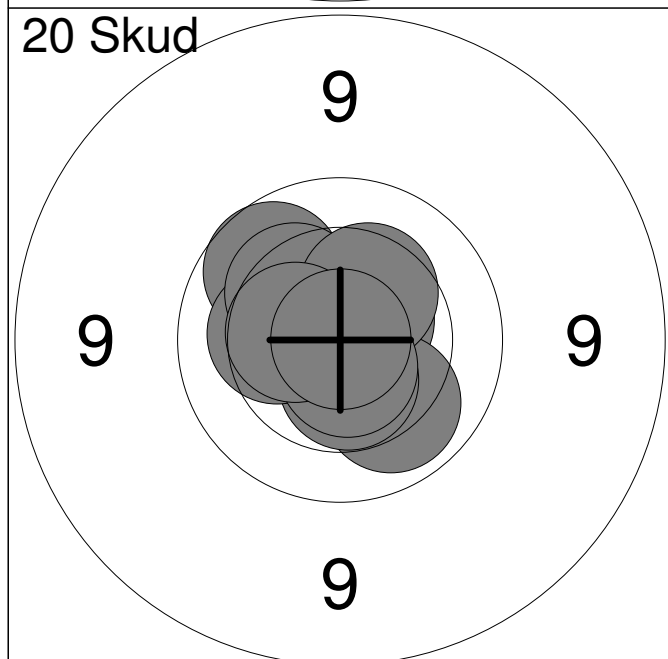
11: 10.3 →	16: 9.8 ↓	Serie	99.0
12: 10.1 ↘	17: *10.8↘		
13: *10.6↑	18: 10.0 ↓	Total	198.0
14: *10.5↓	19: 10.2 ↓		
15: 10.3 ↙	20: 10.3 →		



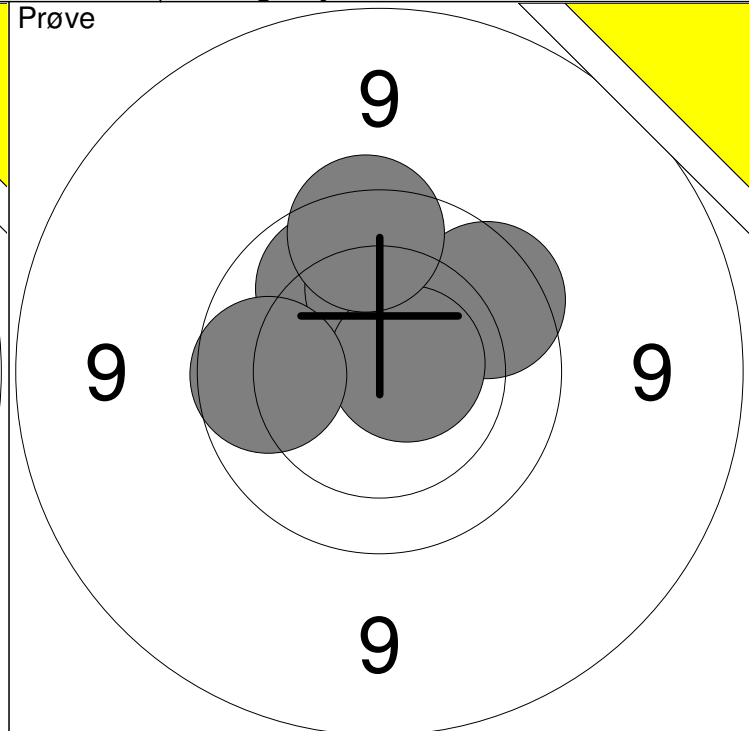
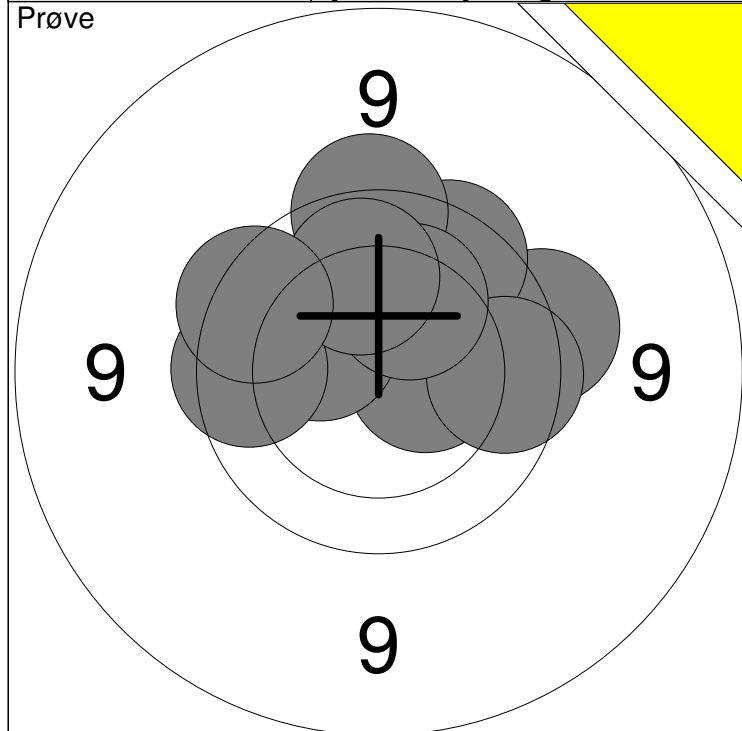
1:	*10.5	↗
2:	10.1	↘
3:	*10.5	↘
4:	10.5	↙
5:	10.2	←
Serie		50.0
Total		0.0



1:	10.1	↗
2:	*10.8	↑
3:	*10.8	↑
4:	*10.9	←
5:	*10.9	↗
6:	*10.6	↘
7:	10.3	↑
8:	10.2	↑
9:	10.2	↘
10:	10.4	↘
Serie		100.0
Total		100.0

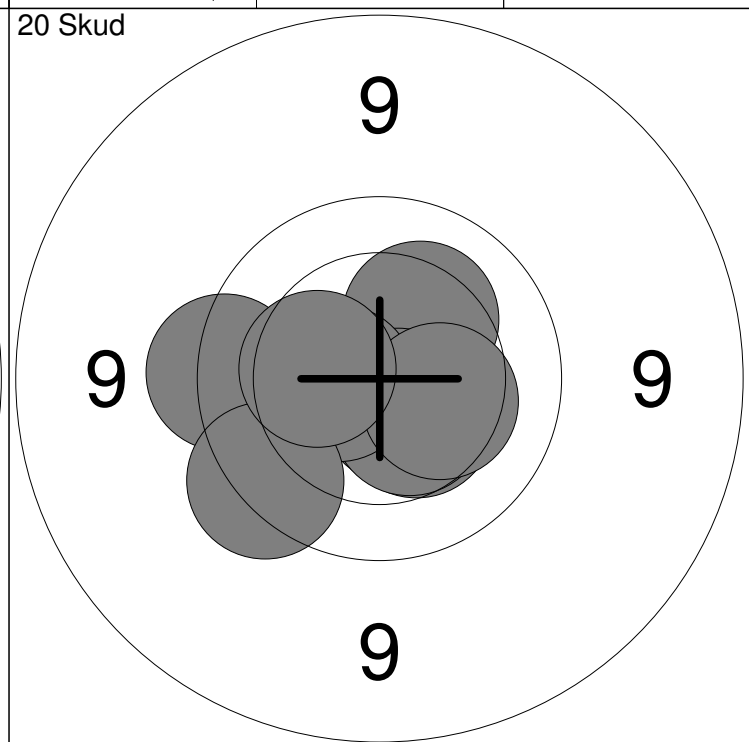
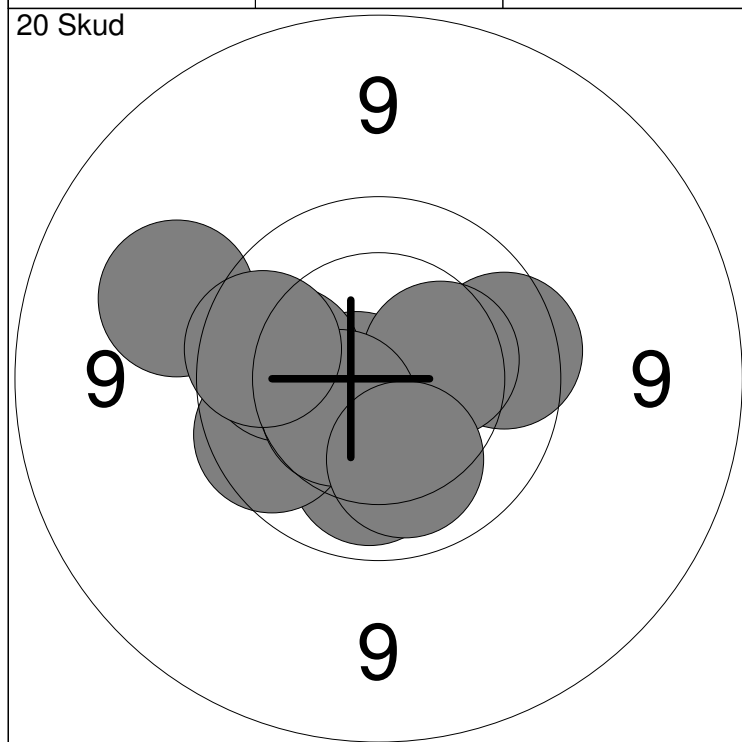


11:	9.9	↗
12:	*10.6	↗
13:	10.1	↘
14:	*10.5	↘
15:	10.3	←
16:	10.2	↗
17:	10.4	↗
18:	*10.6	↘
19:	10.5	←
20:	*10.9	↗
Serie		99.0
Total		199.0



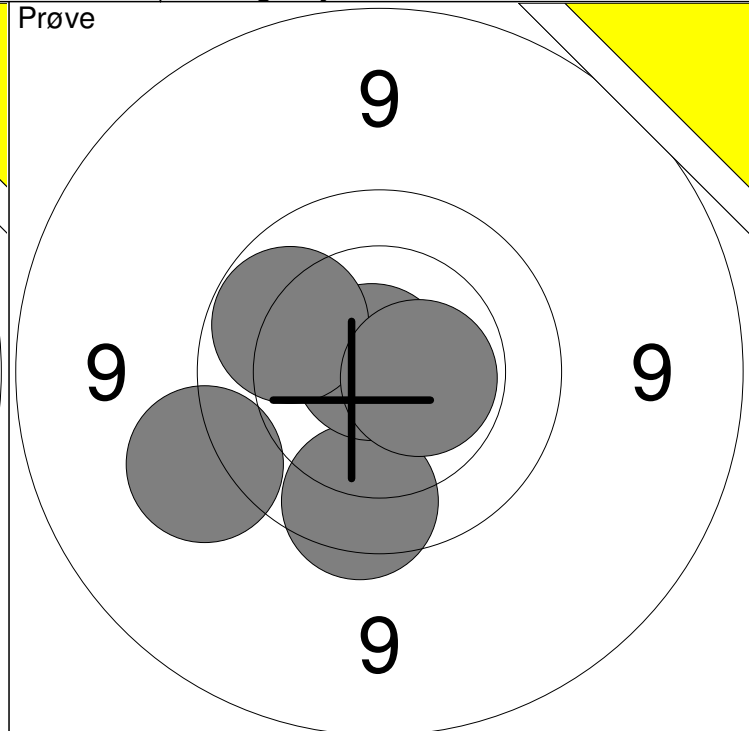
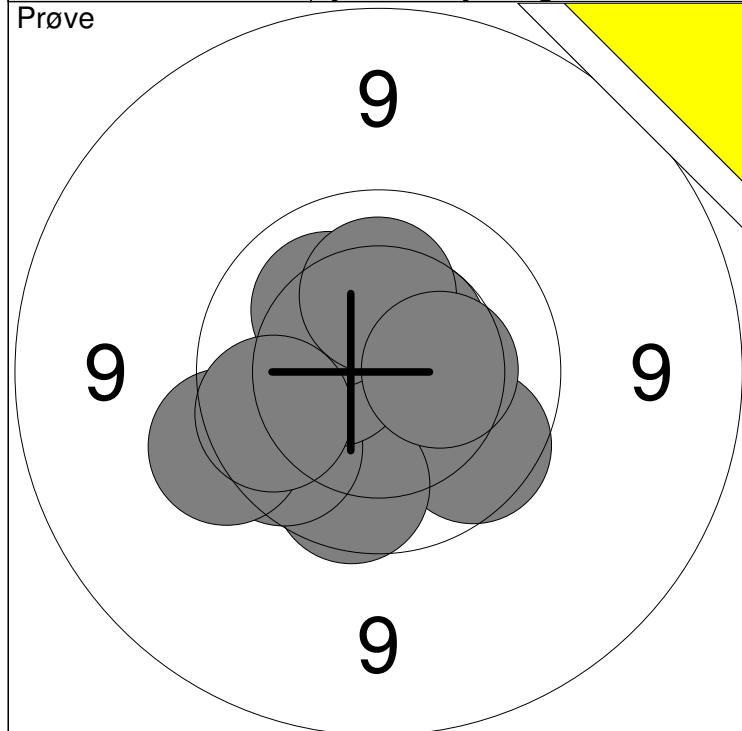
1: 9.6 →	6: 9.6 ↑	Serie	94.0
2: *10.5→	7: 9.8 ←		
3: 9.8 ↗	8: 10.2 ↗	Total	0.0
4: 9.8 →	9: 10.0 ↑		
5: 10.3 ↖	10: 9.7 ↖		

11: 10.0 ↖	16: 9.9 ←	Serie	57.0
12: 10.1 ↑			
13: 9.8 ↗		Total	0.0
14: *10.7→			
15: 9.8 ↑			



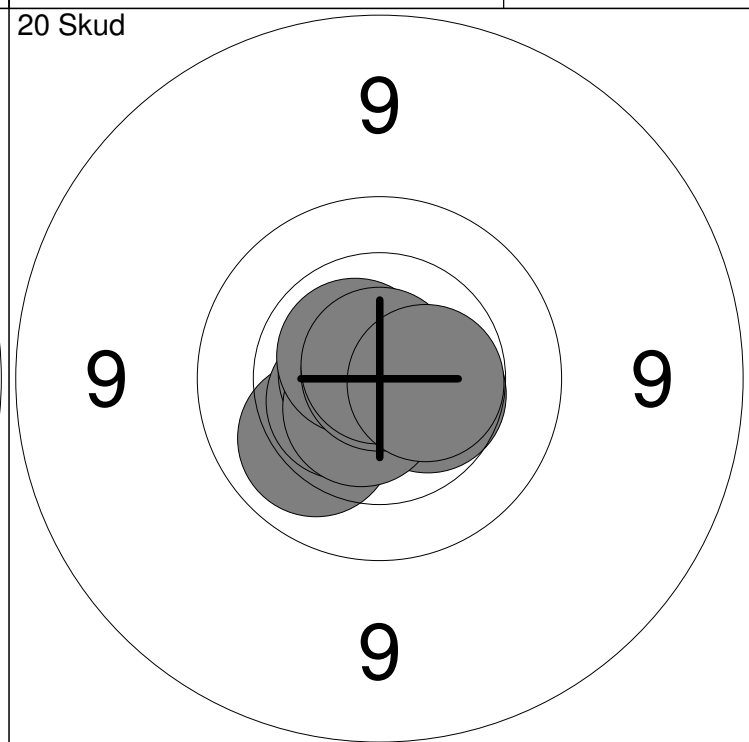
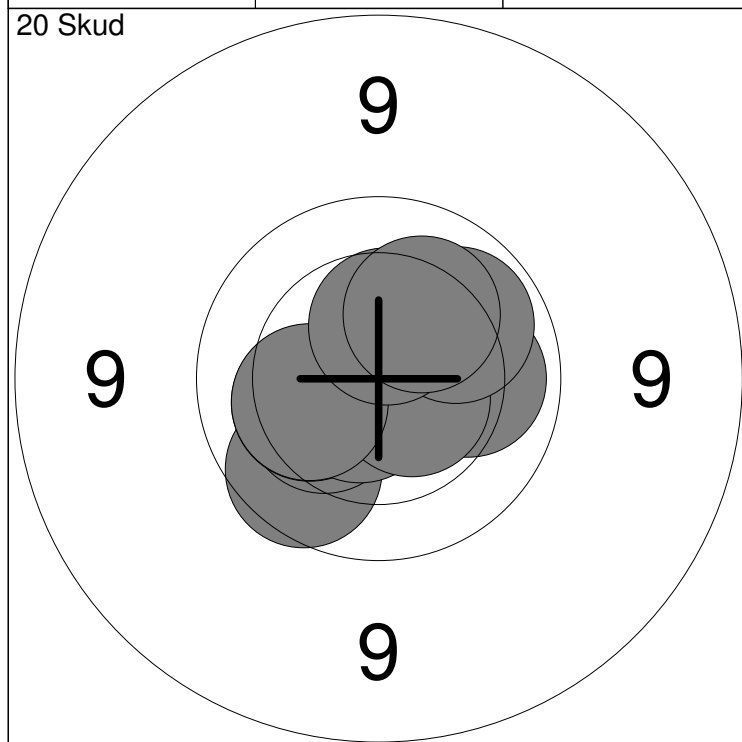
1: 10.1 ↓	6: 10.0 ←	Serie	96.0
2: *10.7↙	7: 10.3 →		
3: 9.8 →	8: 10.5 ↙	Total	96.0
4: 9.9 ←	9: 9.9 ←		
5: 9.3 ↖	10: 10.1 ↓		

11: 10.3 ←	16: *10.5↙	Serie	98.0
12: 10.3 ↗	17: 9.7 ←		
13: *10.6↘	18: 9.7 ↙	Total	194.0
14: 10.4 ↘	19: 10.3 →		
15: 10.5 ↘	20: 10.3 ←		



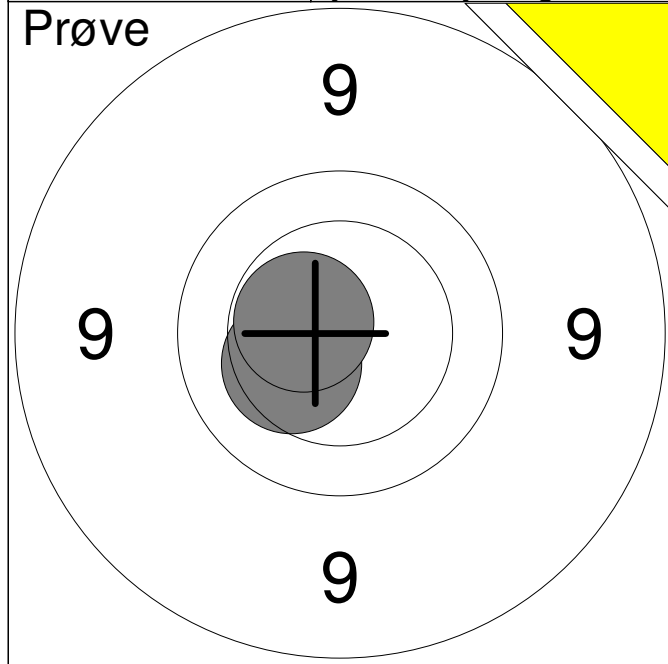
1: 9.9 ↘	6: *10.5 ←	Serie	95.0
2: 9.9 ↓	7: 10.2 ↗		
3: 9.9 ↙	8: 10.2 ↑	Total	0.0
4: 9.6 ↙	9: 9.9 ←		
5: *10.5 ↗	10: 10.4 →		

11: 9.4 ↙	Serie	48.0
12: 9.8 ↓		
13: *10.8 ↗	Total	0.0
14: 10.0 ↙		
15: *10.6 →		

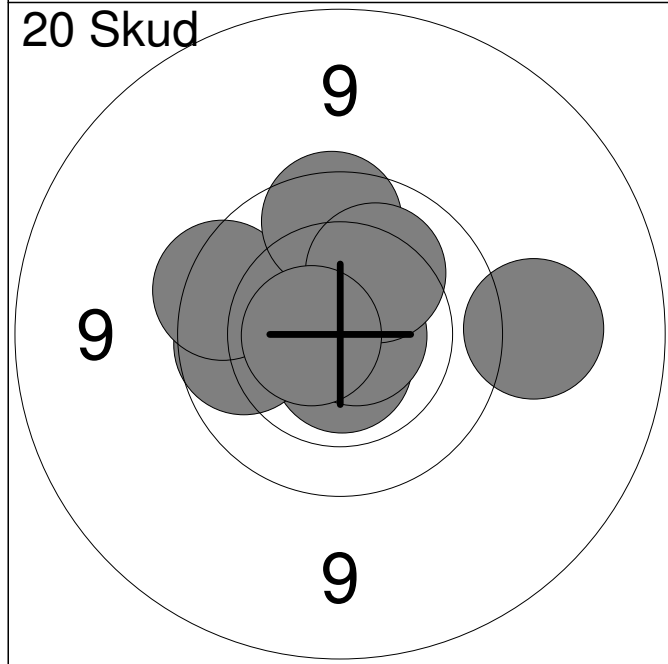


1: 9.9 ↙	6: *10.6 →	Serie	99.0
2: 10.3 ↙	7: 10.2 ←		
3: 10.2 ←	8: 10.0 ↗	Total	99.0
4: 10.1 →	9: 10.4 ↑		
5: *10.6 ↙	10: 10.2 ↗		

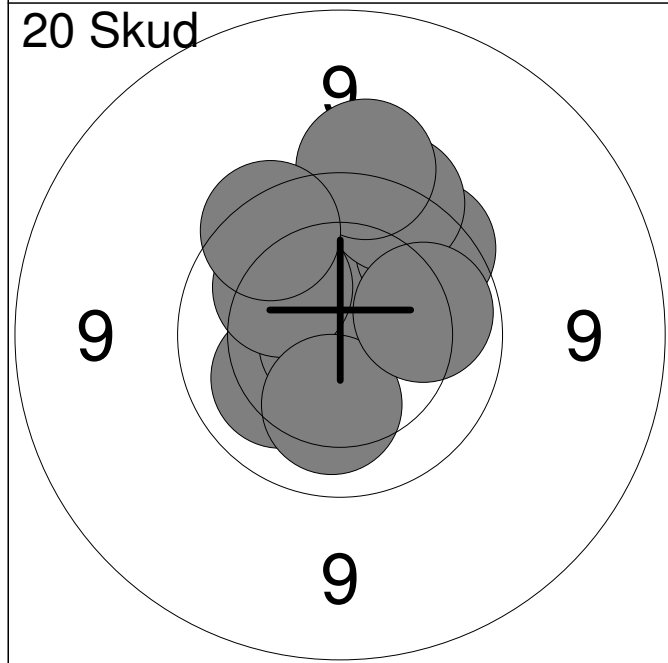
11: *10.7 ↙	16: *10.6 ↙	Serie	100.0
12: 10.5 →	17: *10.6 ↙		
13: 10.1 ↙	18: *10.9 ↑	Total	199.0
14: *10.5 ↙	19: *10.8 ↑		
15: *10.7 ↙	20: *10.5 →		



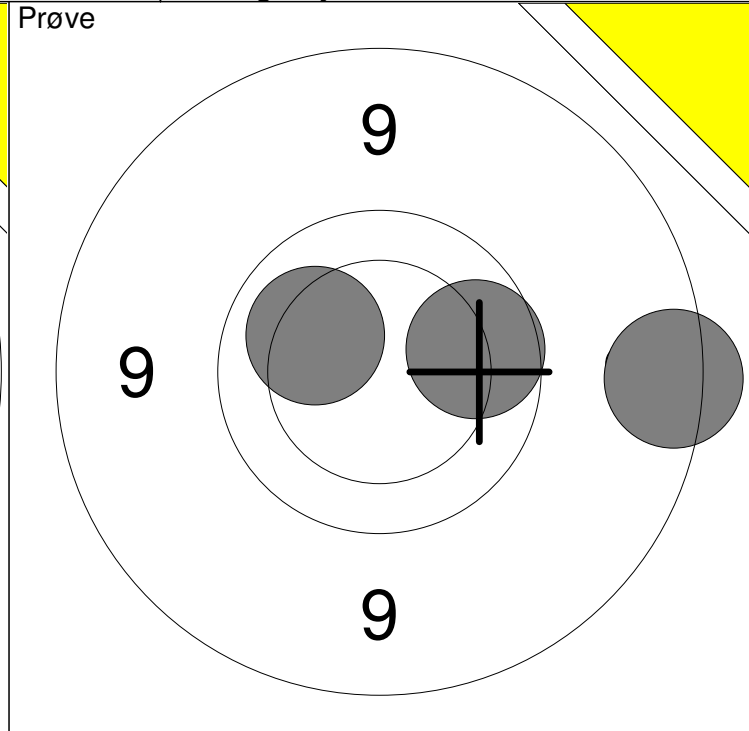
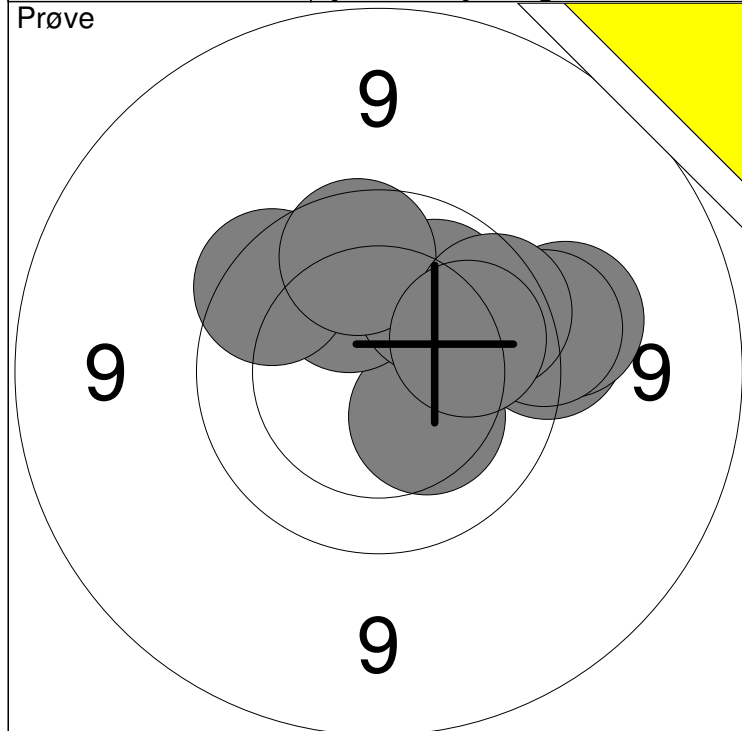
	1:	10.3	↙
	2:	*10.5	↙
Serie			20.0
Total			0.0



	1:	*10.7	←
	2:	9.3	→
	3:	10.2	←
	4:	*10.6	↓
	5:	9.9	←
	6:	*10.8	→
	7:	9.8	←
	8:	9.8	↑
	9:	10.2	↗
	10:	*10.6	←
Serie			96.0
Total			96.0

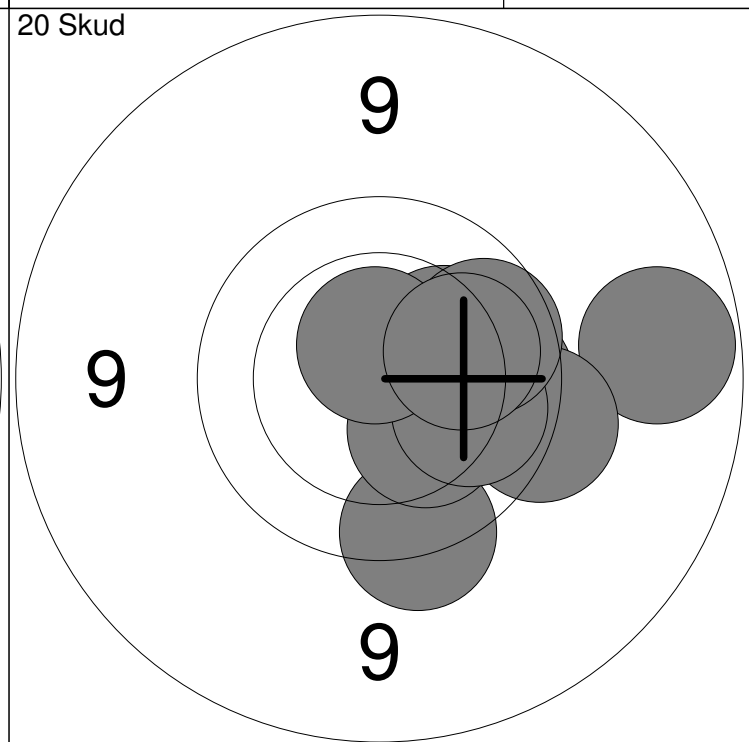
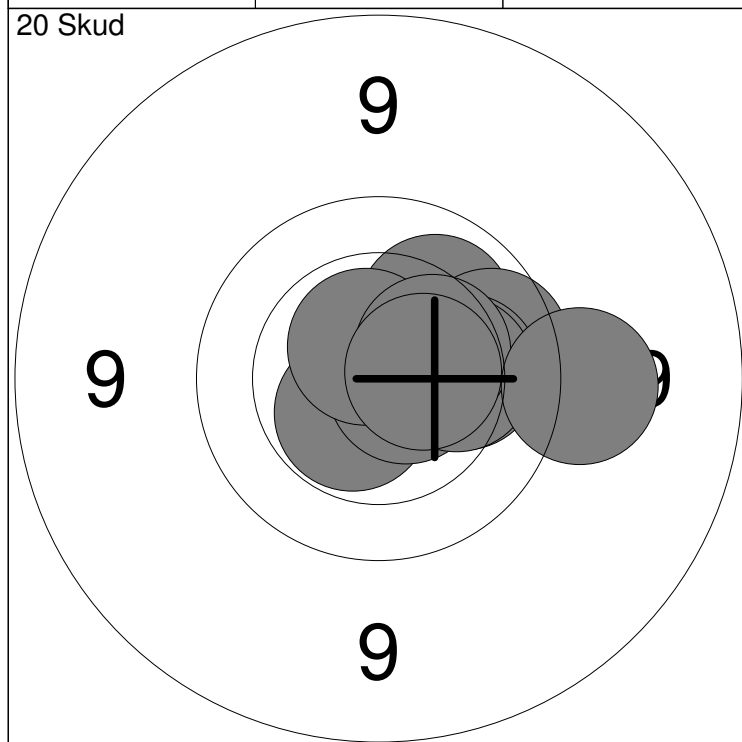


	11:	10.2	↙
	12:	*10.8	↙
	13:	10.5	↗
	14:	9.8	↗
	15:	10.1	↙
	16:	9.6	↗
	17:	9.5	↑
	18:	10.2	↓
	19:	10.0	→
	20:	9.7	↖
Serie			96.0
Total			192.0



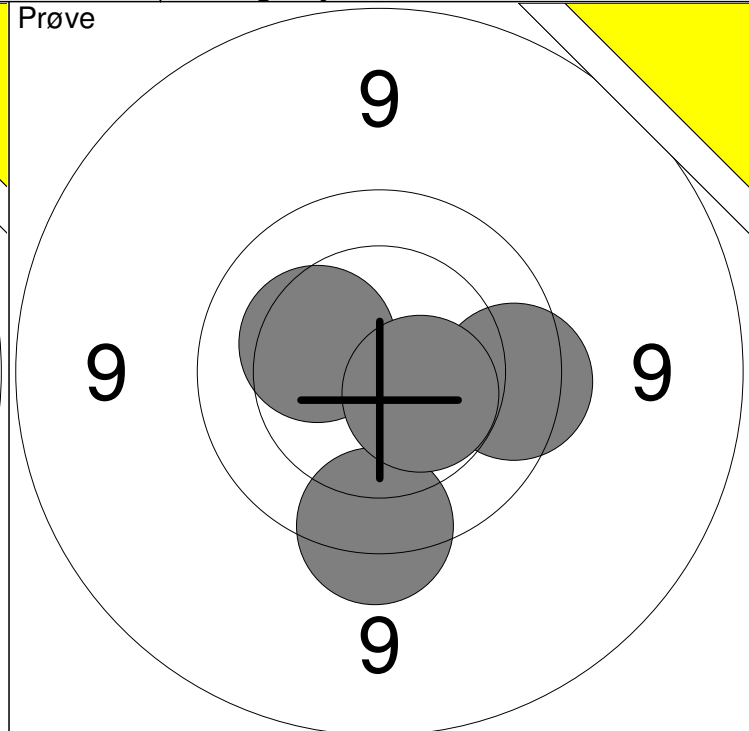
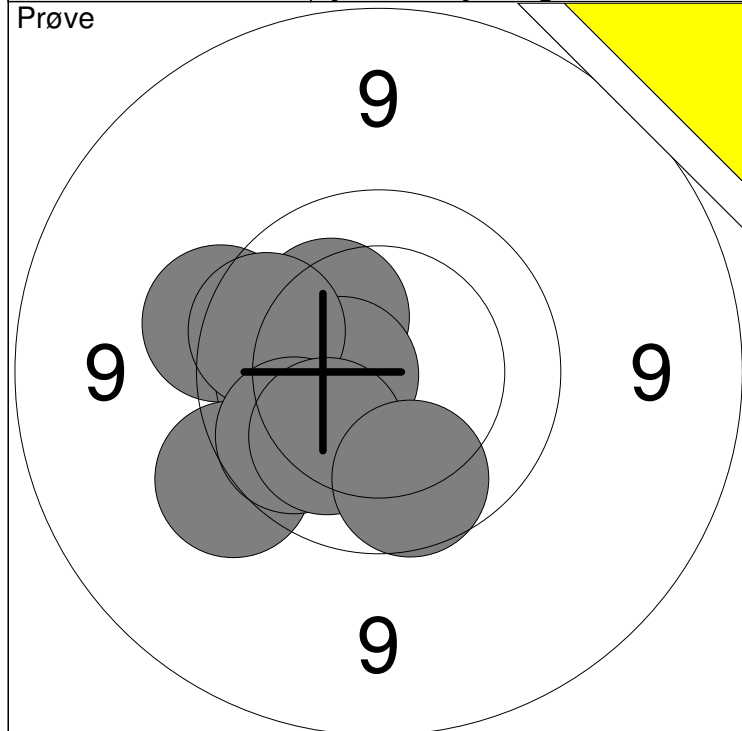
1: 9.6 →	6: 9.5 →	Serie	94.0
2: 10.3 ↘	7: 9.6 →		
3: 10.1 ↗	8: 9.9 ↗	Total	0.0
4: 10.1 ↗	9: 9.8 →		
5: 9.8 ↖	10: 10.0 →		

11: 8.8 →	Serie	27.0
12: 9.9 →		
13: 10.2 ↖	Total	0.0



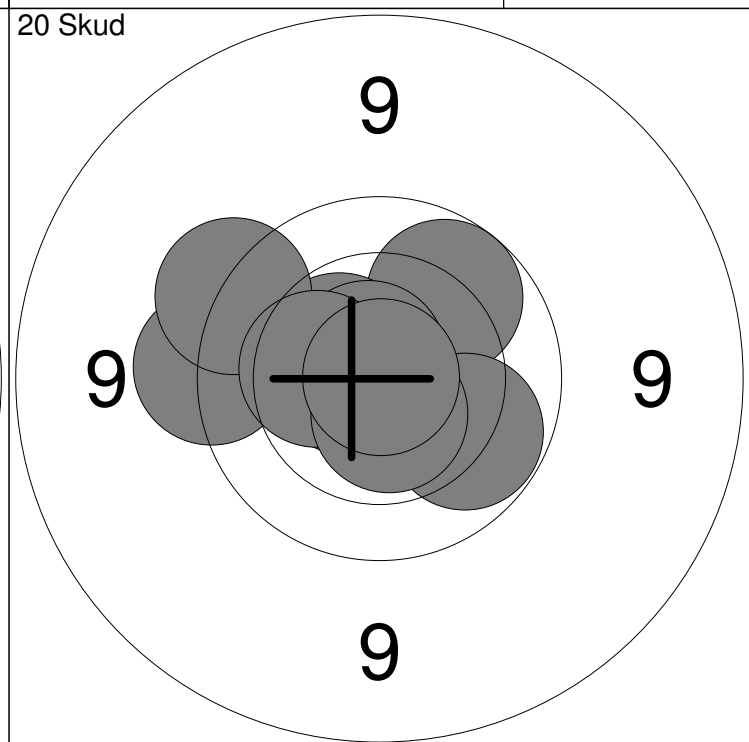
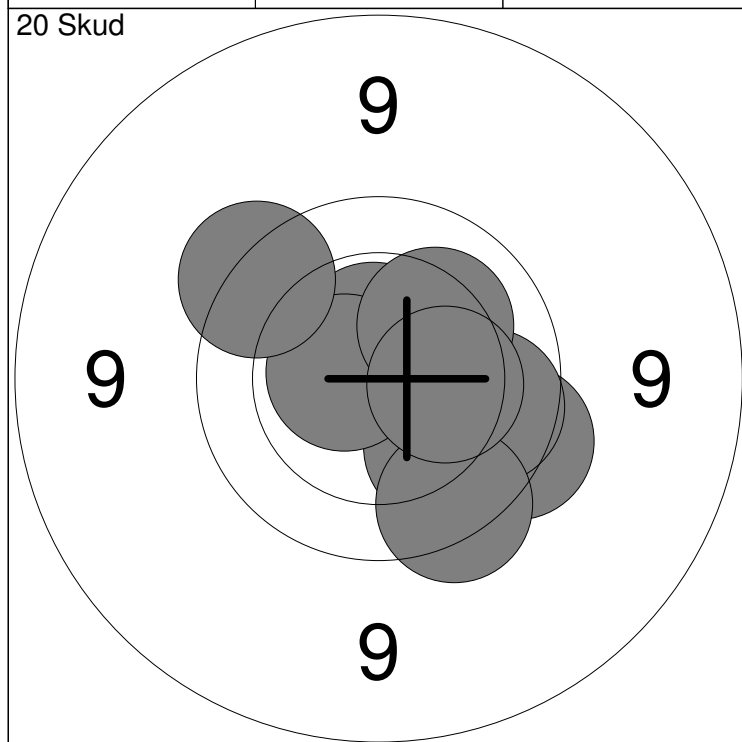
1: 10.1 ↗	6: *10.6 ↖	Serie	98.0
2: 9.9 →	7: 10.2 →		
3: *10.5 ↘	8: 10.4 →	Total	98.0
4: 10.1 →	9: *10.5 →		
5: *10.7 →	10: 9.4 →		

11: 9.9 →	16: 10.2 ↗	Serie	95.0
12: 9.6 ↘	17: 10.0 →		
13: 10.3 ↘	18: *10.6 ↗	Total	193.0
14: 9.0 →	19: 9.9 →		
15: 9.6 →	20: 10.1 →		



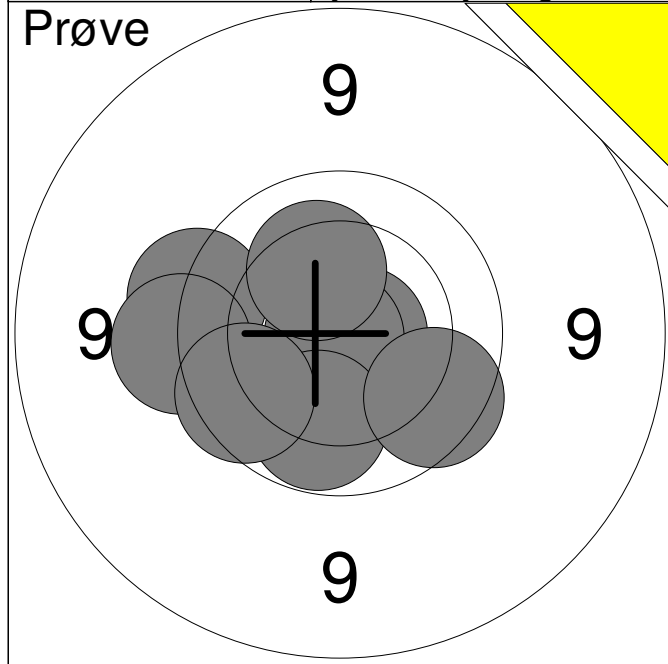
1: 9.6 ←	6: *10.6 ←	Serie	95.0
2: 10.2 ↖	7: 9.9 ←		
3: 10.1 ←	8: 9.9 ↙	Total	0.0
4: 10.2 ↗	9: 10.2 ↘		
5: 9.5 ↙	10: 9.9 ↓		

11: 10.3 ←	Serie	38.0
12: 9.8 →		
13: 9.7 ↓	Total	0.0
14: *10.5 ↘		

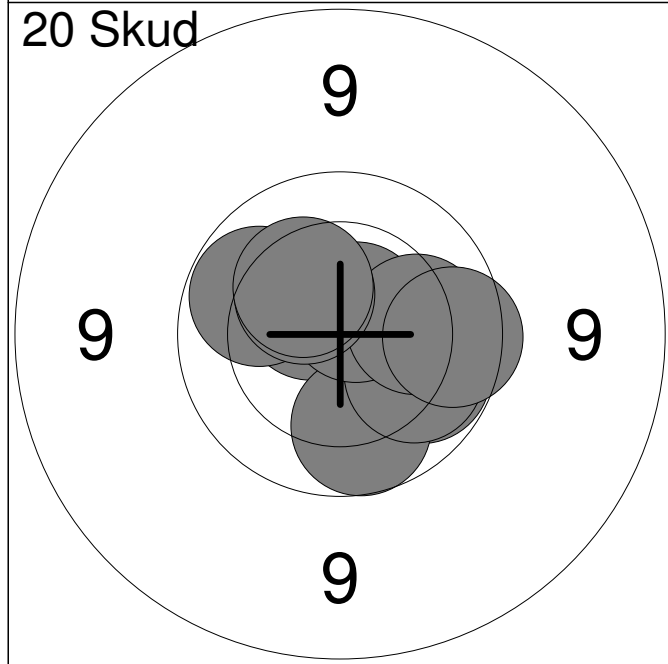


1: 9.7 →	6: *10.6 ←	Serie	96.0
2: *10.7 ↗	7: 9.7 ↓		
3: *10.6 ↑	8: 10.2 ↗	Total	96.0
4: 10.0 ↓	9: 10.3 →		
5: 9.9 →	10: 9.7 ↖		

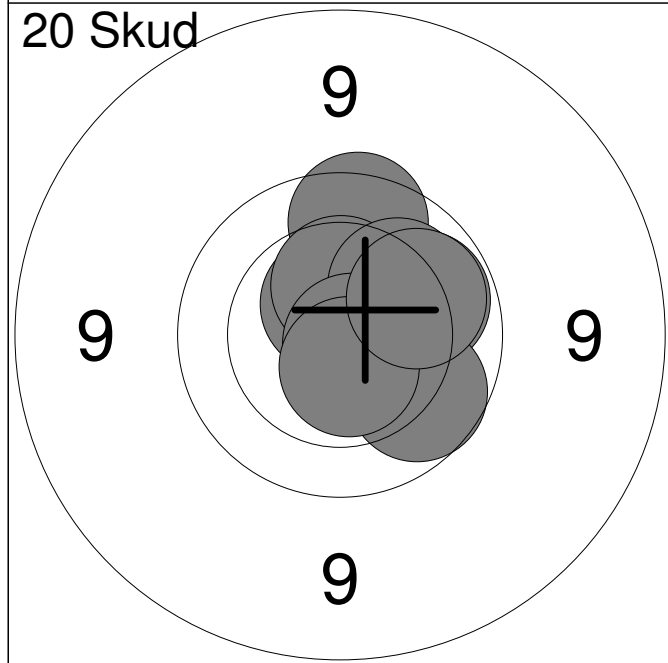
11: *10.6 ←	16: *10.7 ↗	Serie	98.0
12: 9.6 ←	17: 9.6 ←		
13: 10.0 ↗	18: 10.3 ←	Total	194.0
14: 10.0 ↘	19: *10.6 ↓		
15: 10.5 ↖	20: *10.9 ↗		



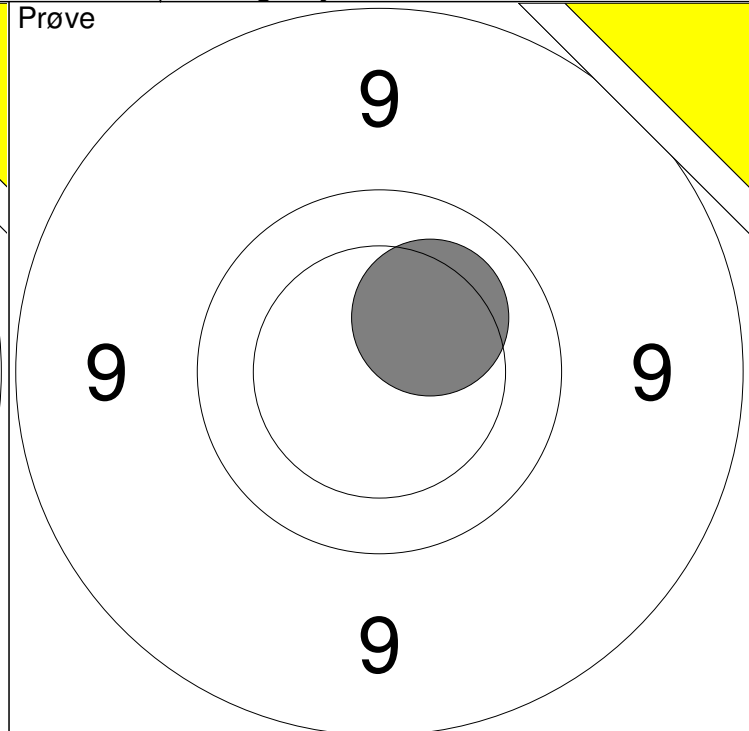
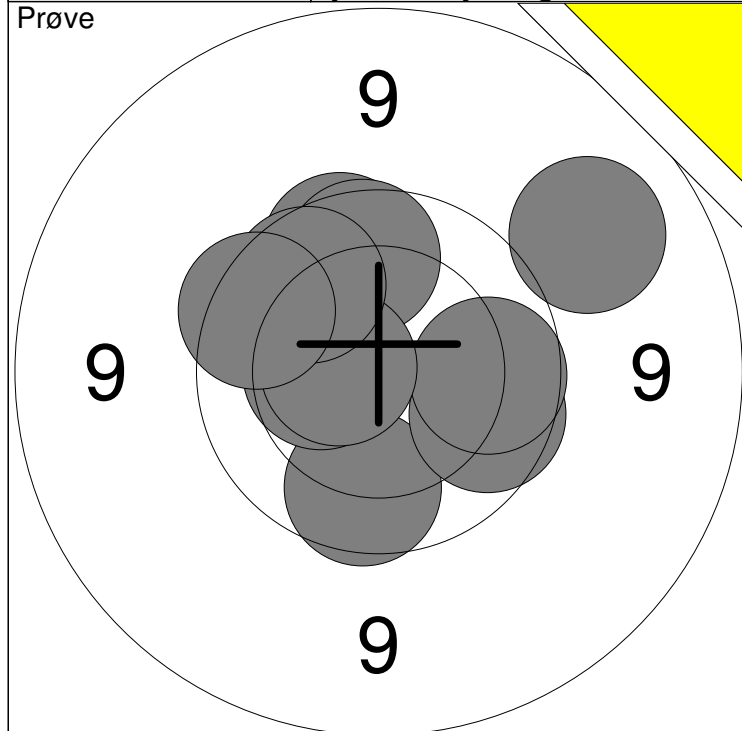
1:	*10.8	→
2:	10.2	↙
3:	9.6	←
4:	9.5	←
5:	*10.9	↙
6:	10.0	↘
7:	9.8	↙
8:	10.2	↑
9:	9.8	↘
Serie		86.0
Total		0.0



1:	*10.5	↗
2:	10.0	↘
3:	9.9	↘
4:	10.0	↘
5:	*10.7	↗
6:	10.0	↗
7:	10.1	→
8:	10.4	↗
9:	10.3	↗
10:	9.8	→
Serie		98.0
Total		98.0

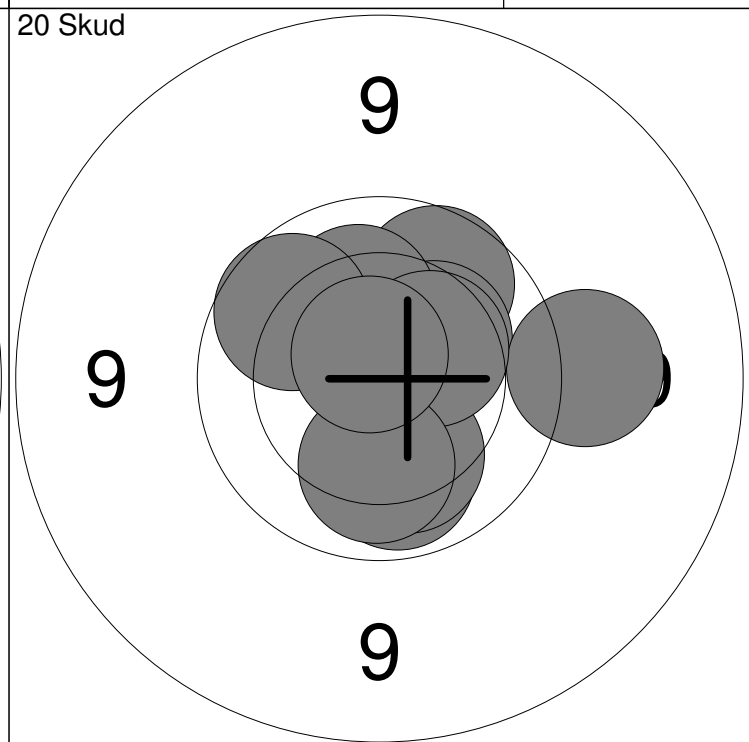
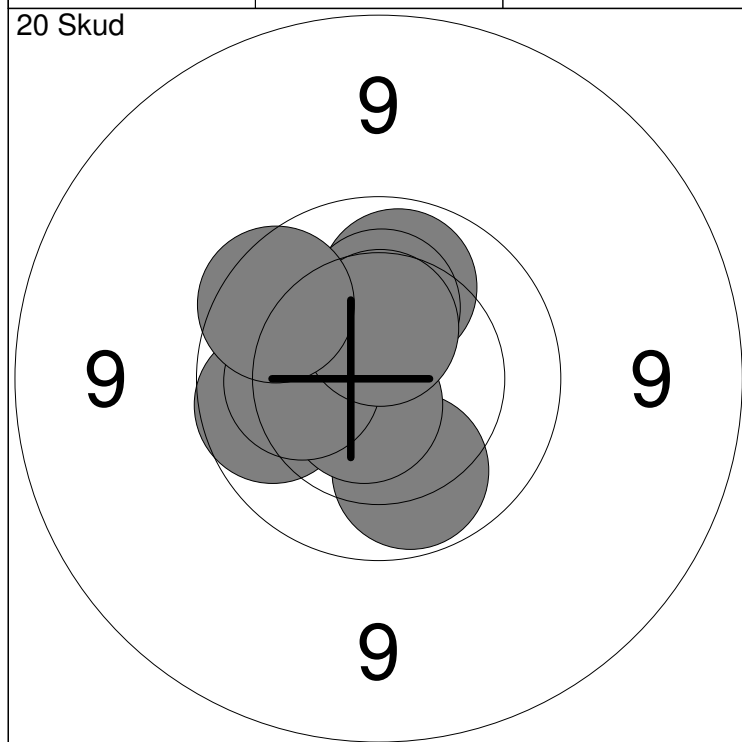


11:	9.8	↑
12:	*10.5	↑
13:	*10.6	↑
14:	10.4	↑
15:	10.1	↗
16:	*10.8	↘
17:	10.0	→
18:	9.9	↘
19:	*10.6	↘
20:	10.0	↗
Serie		98.0
Total		196.0



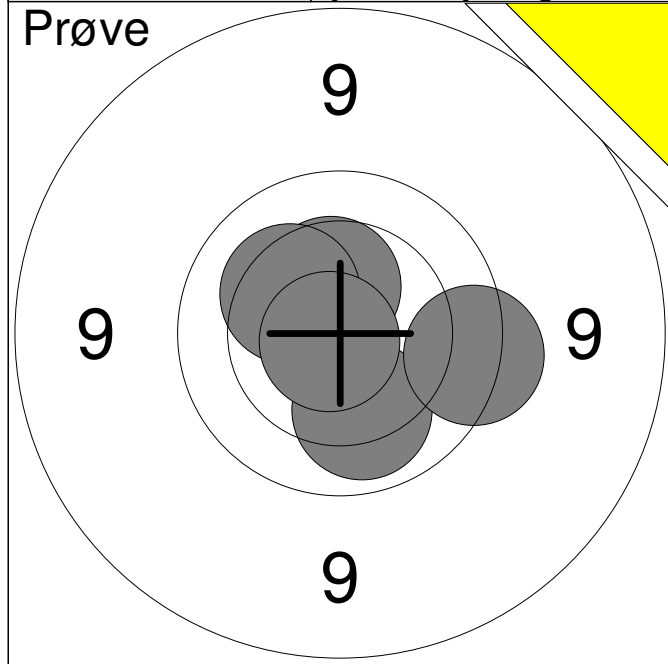
1: 9.9 ↓	6: 10.4 ←	Serie 92.0
2: 9.9 →	7: *10.6 ←	
3: 9.8 ↑	8: 9.9 ↗	Total 0.0
4: 9.9 ↑	9: 9.8 ↖	
5: 9.9 →	10: 9.1 ↗	

11: 10.2 ↗	Serie 10.0
	Total 0.0

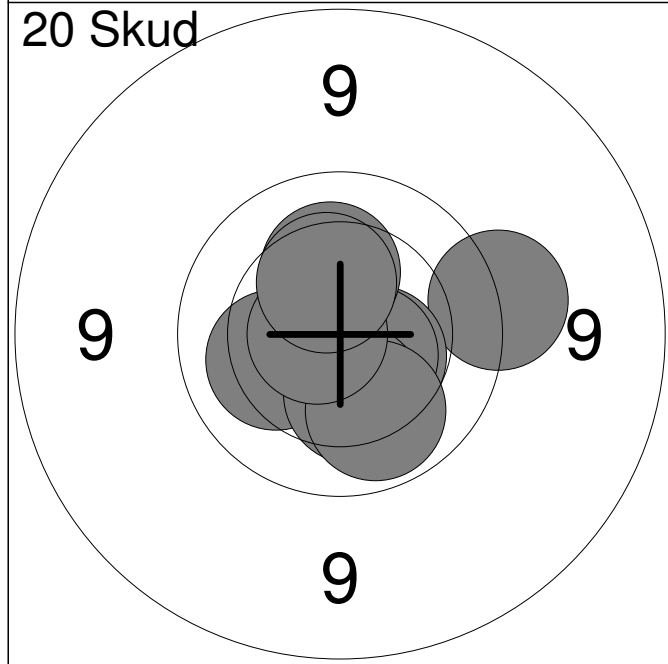


1: 9.9 ←	6: *10.5 ↖	Serie 98.0
2: 10.4 ↗	7: *10.7 ↓	
3: 10.0 ↑	8: 10.2 ←	Total 98.0
4: 10.3 ↑	9: 10.5 ↑	
5: 10.0 ↓	10: 9.8 ↖	

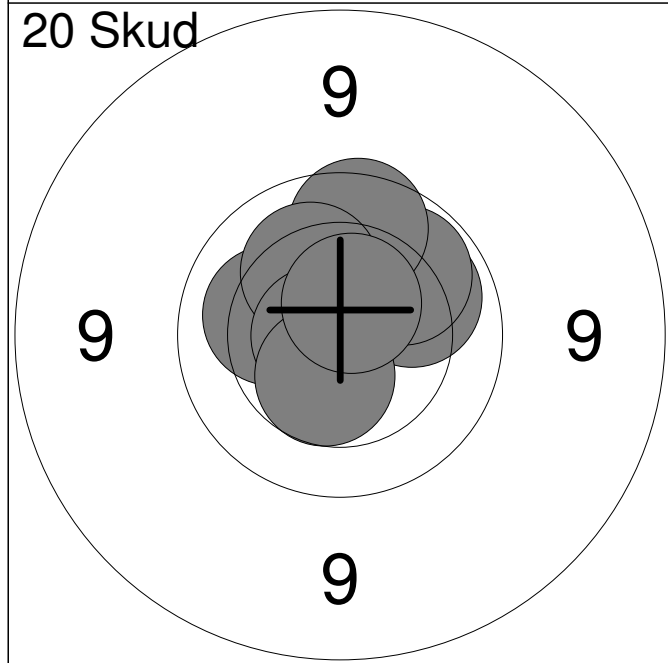
11: 9.9 ↗	16: 9.9 ↖	Serie 97.0
12: 10.3 ↗	17: 9.4 →	
13: 10.0 ↓	18: 10.4 ↗	Total 195.0
14: 10.2 ↑	19: 10.1 ↓	
15: 10.2 ↓	20: *10.7 ↖	



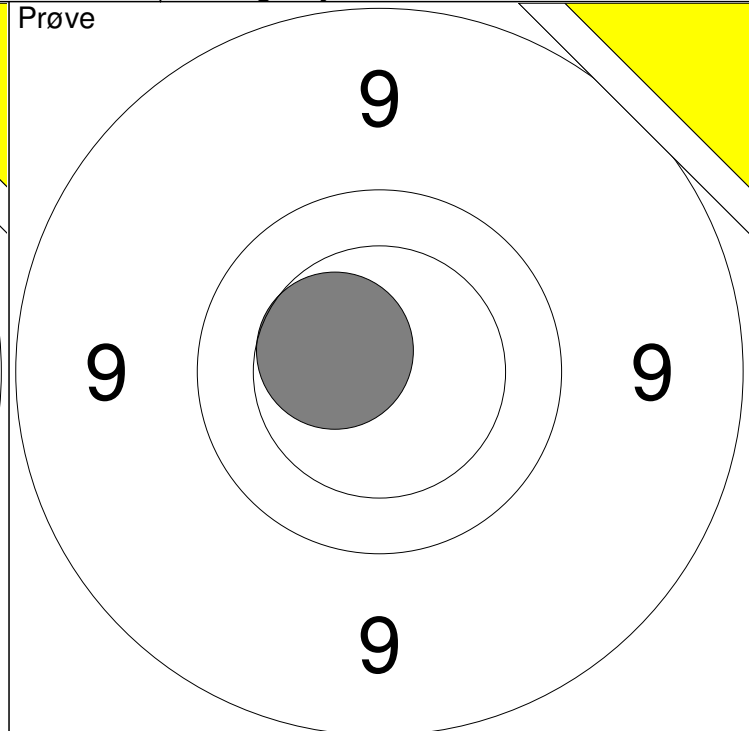
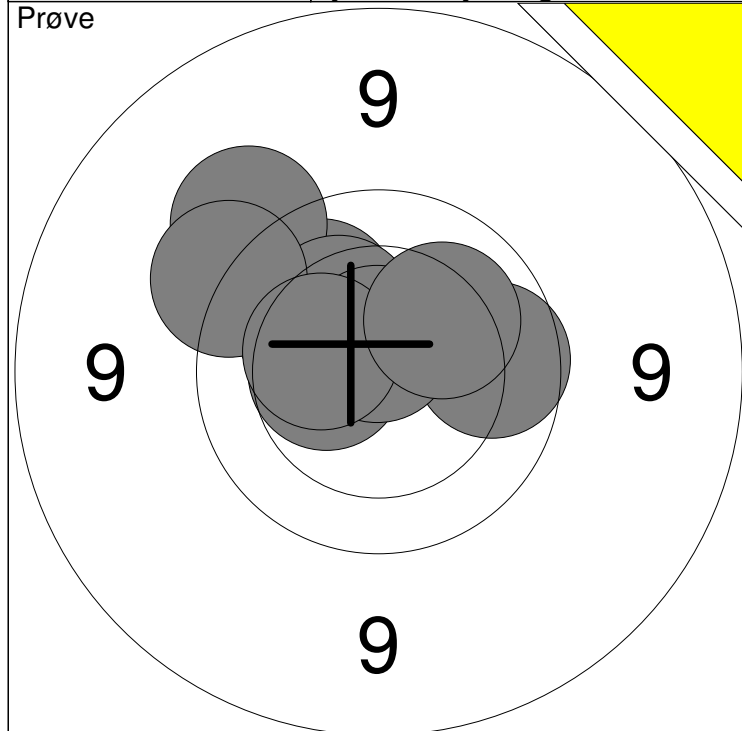
1:	10.4	↑
2:	10.3	↗
3:	10.1	↓
4:	9.7	→
5:	*10.8	↖
Serie		49.0
Total		0.0



1:	10.4	↓
2:	9.5	→
3:	10.5	↓
4:	*10.6	↓
5:	10.2	←
6:	10.3	↓
7:	10.0	↓
8:	*10.7	←
9:	10.3	↑
10:	10.4	↑
Serie		99.0
Total		99.0

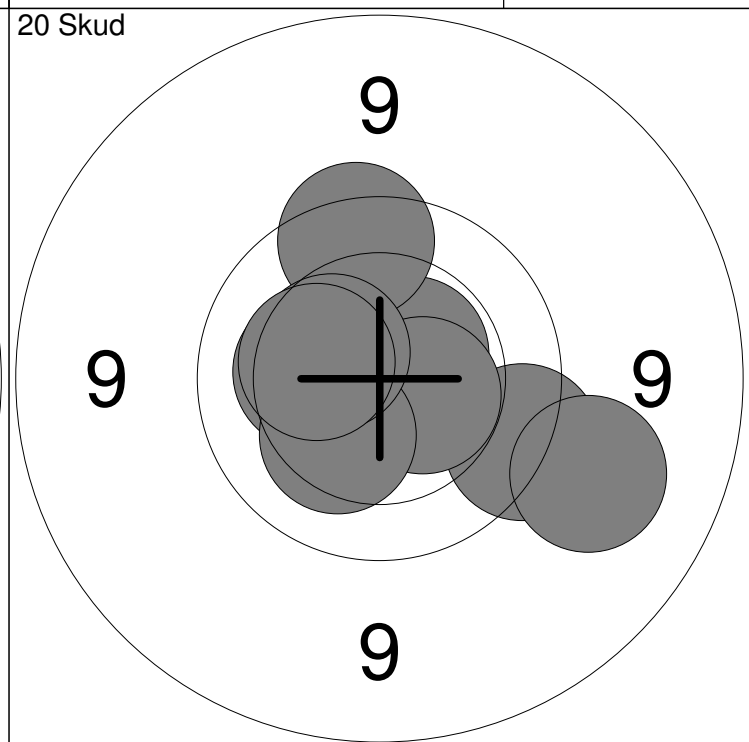
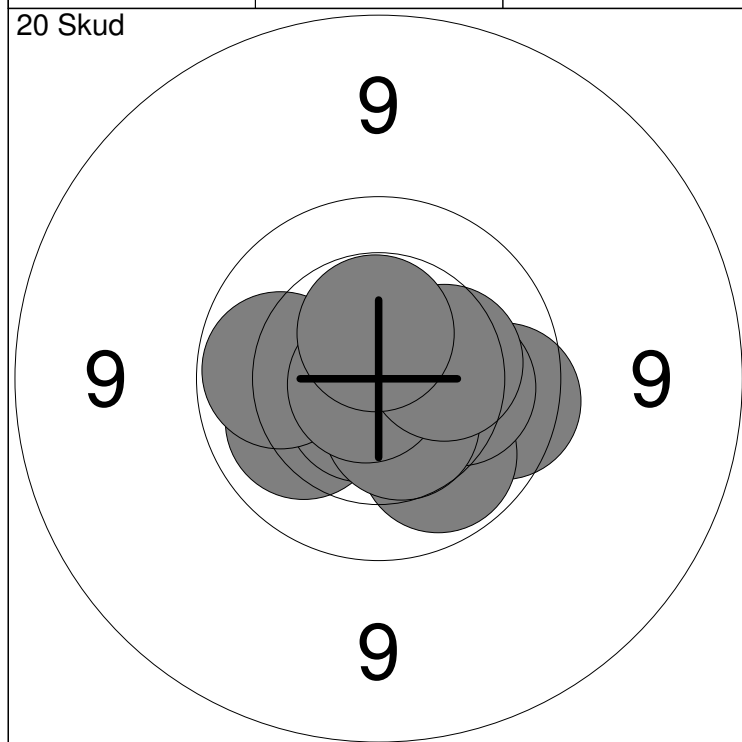


11:	10.1	↗
12:	10.0	↗
13:	10.2	←
14:	*10.5	↑
15:	10.2	↑
16:	9.9	↑
17:	10.2	↑
18:	*10.7	←
19:	10.5	↓
20:	*10.6	↑
Serie		99.0
Total		198.0



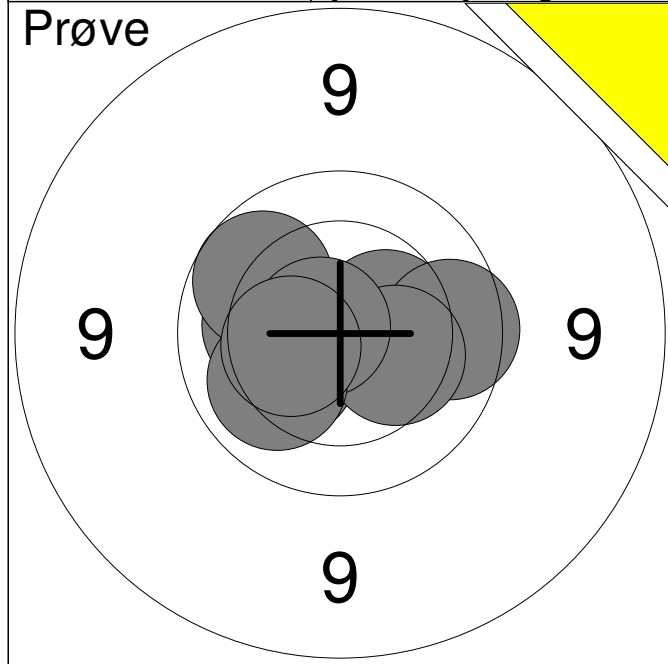
1: 10.1 ↗	6: 10.4 ←	Serie	97.0
2: 10.0 ↗	7: 9.5 ↖		
3: 9.9 →	8: *10.7 ↑	Total	0.0
4: 9.4 ↗	9: 10.4 ←		
5: 10.3 ↗	10: 10.2 ↗		

11: 10.5 ↖	Serie	10.0
	Total	0.0

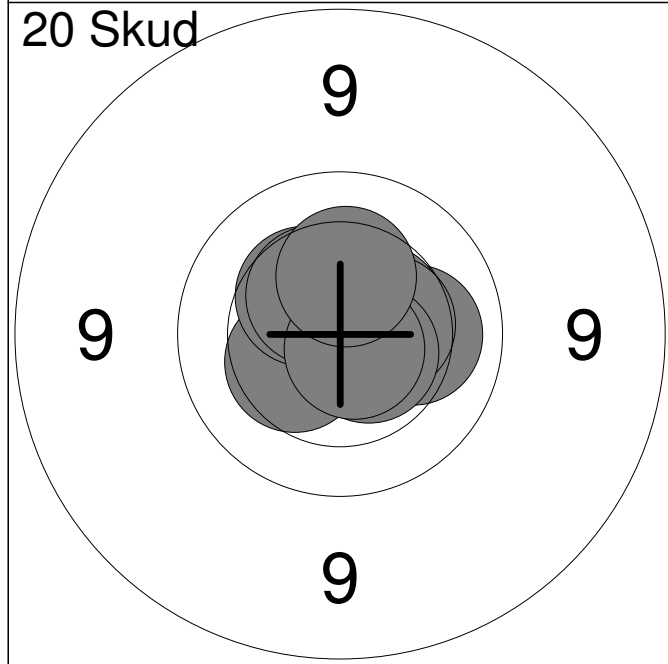


1: 9.8 →	6: 10.2 →	Serie	99.0
2: 10.1 ↖	7: 10.5 ↓		
3: 10.0 ↓	8: *10.8 ↖	Total	99.0
4: *10.7 ↘	9: 10.3 →		
5: 10.0 ←	10: *10.5 ↑		

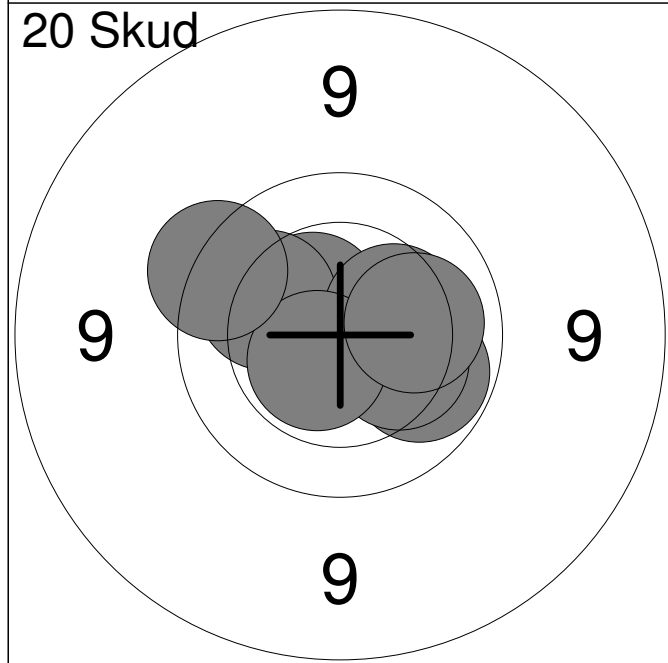
11: *10.7 ↗	16: 9.3 →	Serie	97.0
12: *10.6 ↗	17: 10.3 ←		
13: 9.7 →	18: 10.3 ↓	Total	196.0
14: *10.5 →	19: 10.4 ↖		
15: 9.8 ↑	20: 10.3 ←		



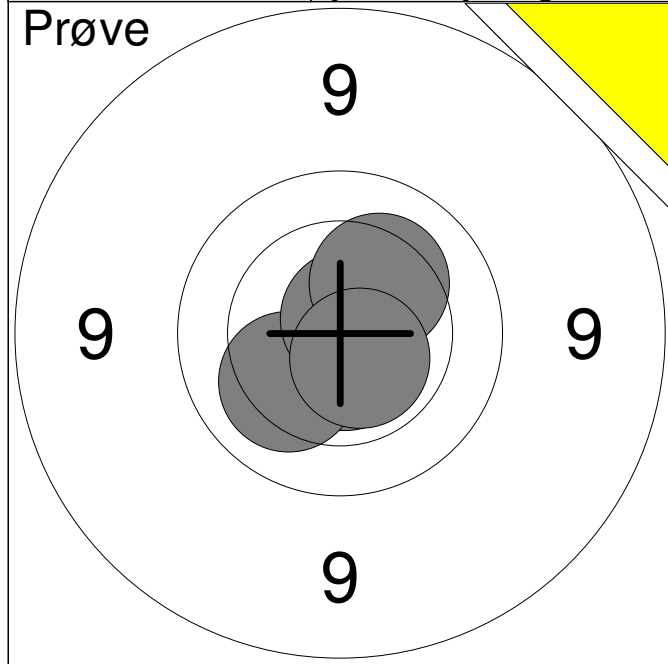
1:	10.4	→
2:	10.2	←
3:	9.9	↗
4:	10.3	↙
5:	9.8	→
6:	10.3	↘
7:	*10.7	←
8:	10.1	↙
9:	10.4	←
Serie		88.0
Total		0.0



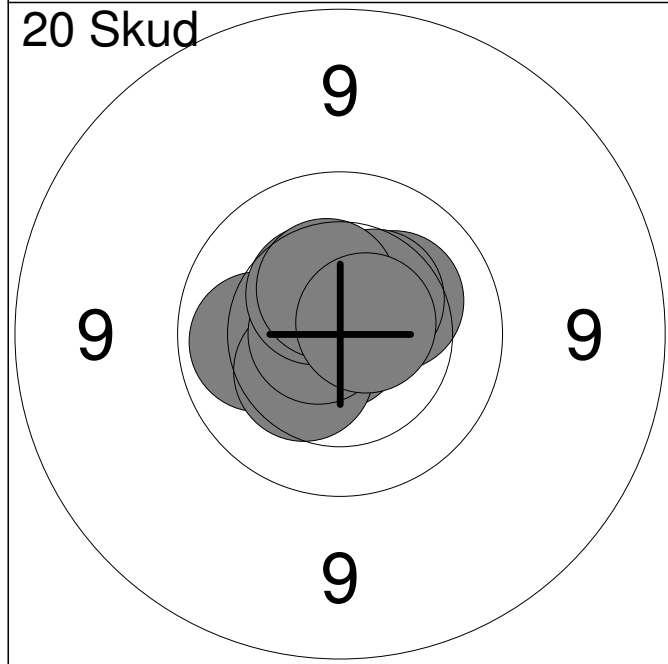
1:	10.4	↙
2:	10.2	→
3:	*10.5	↗
4:	*10.5	↗
5:	10.4	↗
6:	10.5	→
7:	*10.6	↘
8:	10.5	↗
9:	*10.7	↘
10:	10.3	↑
Serie		100.0
Total		100.0



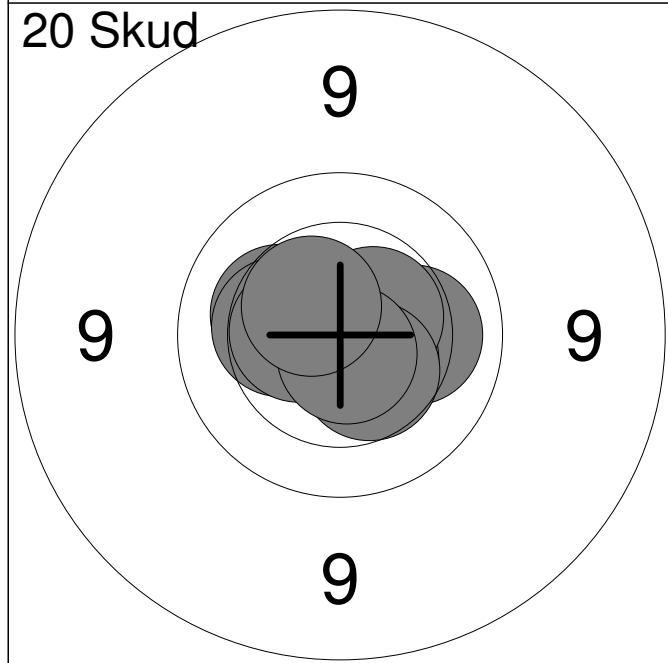
11:	10.3	↘
12:	10.0	↘
13:	*10.6	↗
14:	*10.5	↗
15:	10.1	↗
16:	10.3	→
17:	10.3	↘
18:	*10.6	↙
19:	9.7	↗
20:	10.1	→
Serie		99.0
Total		199.0



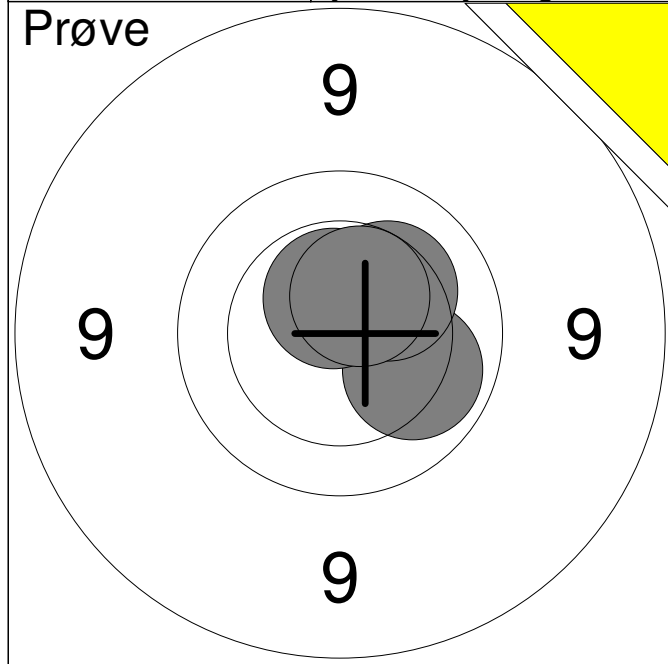
1:	*10.7	↓
2:	10.2	↙
3:	*10.8	↗
4:	10.3	↗
5:	*10.6	↓
Serie		50.0
Total		0.0



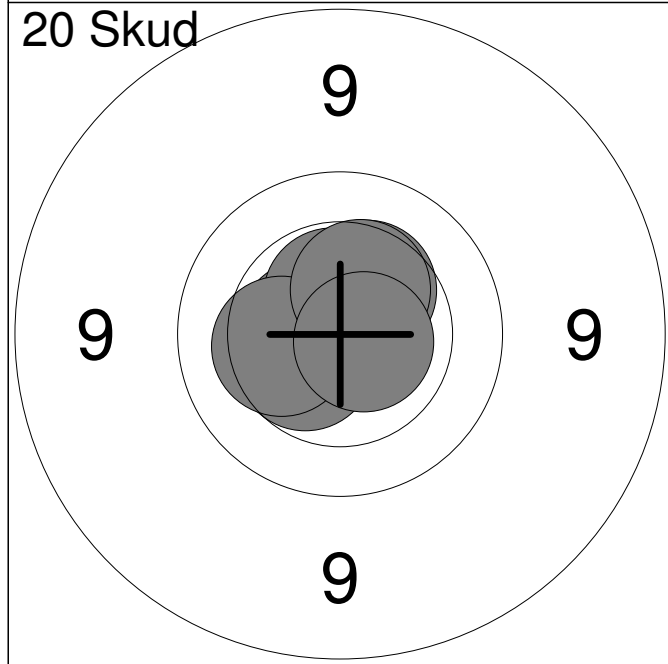
1:	*10.5	↙
2:	10.1	←
3:	*10.9	↙
4:	10.4	↙
5:	10.3	↗
6:	*10.7	←
7:	10.5	↗
8:	10.4	↗
9:	10.4	↑
10:	*10.6	↗
Serie		100.0
Total		100.0



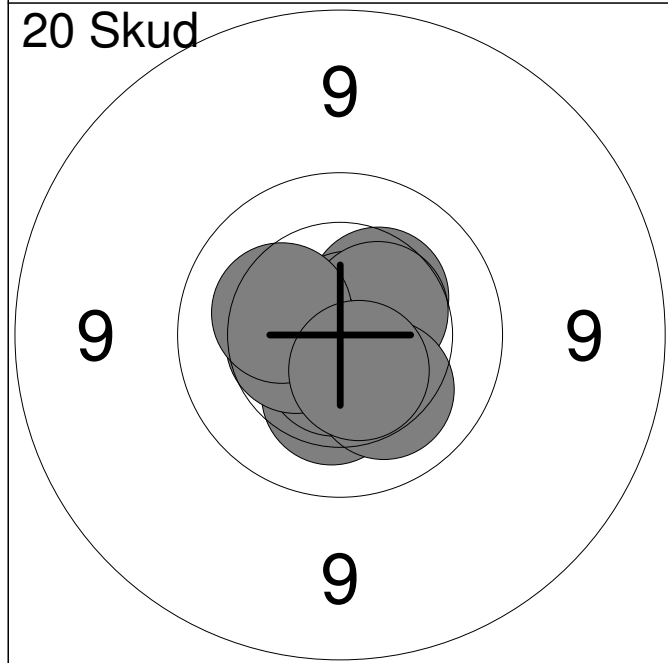
11:	*10.8	↗
12:	10.2	→
13:	10.3	↙
14:	10.3	←
15:	*10.5	↘
16:	*10.5	↗
17:	*10.5	←
18:	10.4	↘
19:	*10.7	↘
20:	*10.5	↗
Serie		100.0
Total		200.0



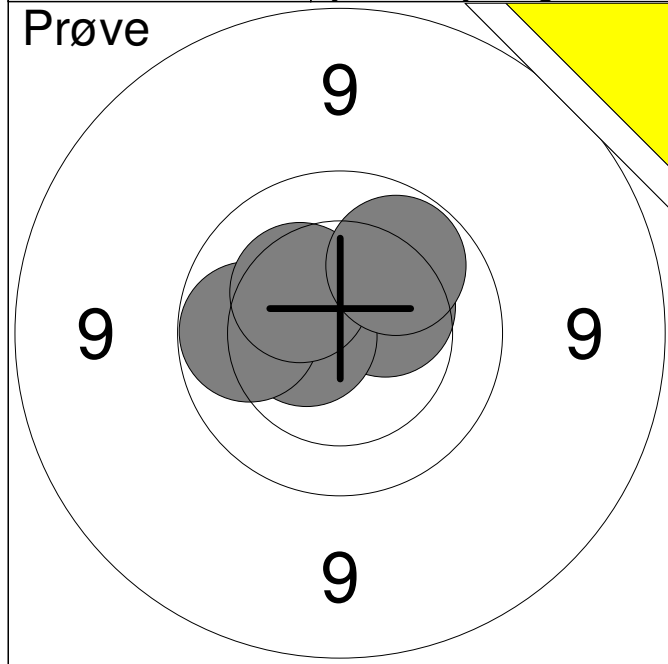
1:	*10.5	↗
2:	10.1	→
3:	*10.6	↖
4:	10.3	↗
5:	*10.5	↗
Serie		50.0
Total		0.0



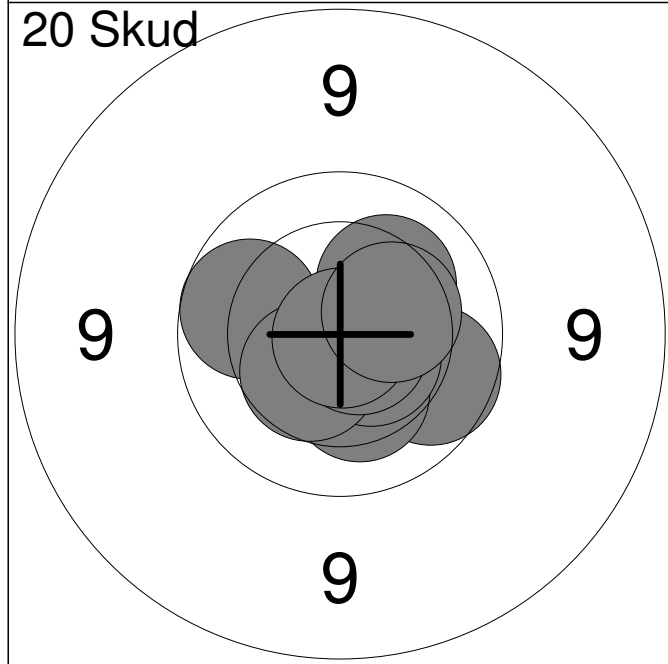
1:	*10.9	↘
2:	*10.7	→
3:	*10.6	←
4:	*10.6	↖
5:	10.4	↗
6:	*10.9	↘
7:	10.5	↖
8:	10.3	←
9:	10.4	↖
10:	*10.7	→
Serie		100.0
Total		100.0



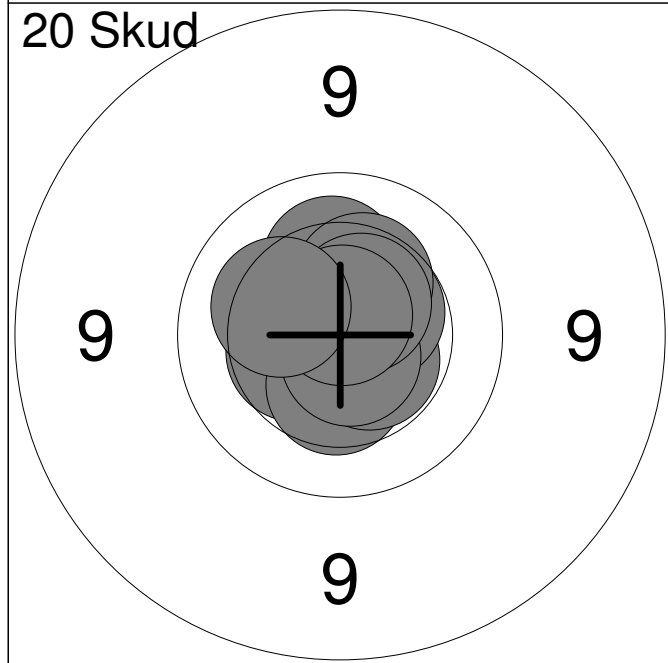
11:	*10.9	→
12:	10.3	↘
13:	10.4	↗
14:	*10.6	↘
15:	*10.8	↗
16:	10.5	↗
17:	10.2	↘
18:	10.5	←
19:	10.3	↖
20:	*10.5	↘
Serie		100.0
Total		200.0



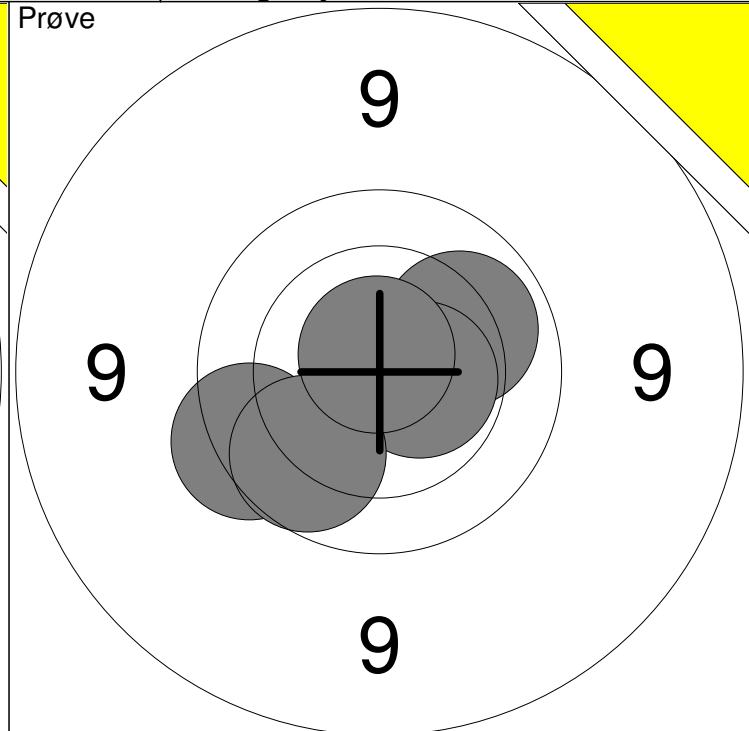
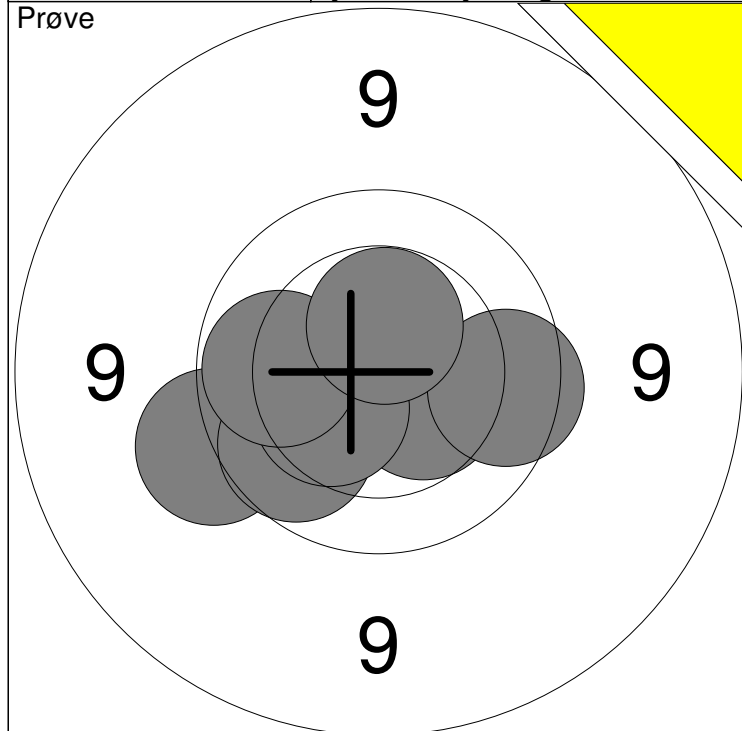
1:	10.4	↗
2:	*10.6	←
3:	10.0	←
4:	10.3	↗
5:	10.0	↗
Serie		50.0
Total		0.0



1:	9.9	←
2:	*10.7	↘
3:	10.2	↗
4:	9.9	↘
5:	10.3	↓
6:	*10.5	↘
7:	10.4	↙
8:	*10.7	↘
9:	*10.9	↓
10:	10.3	↗
Serie		98.0
Total		98.0

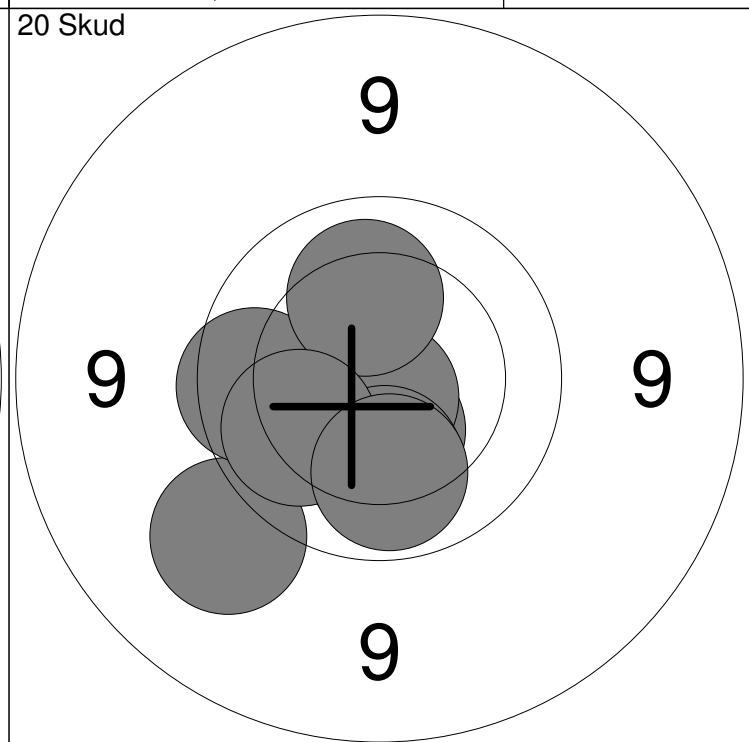
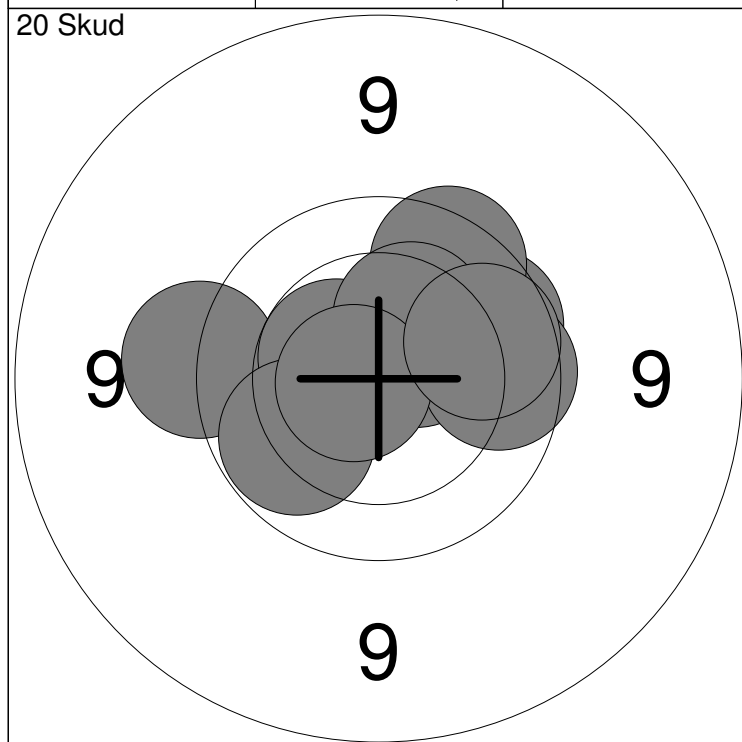


11:	10.4	←
12:	10.4	↓
13:	10.2	↑
14:	*10.5	↘
15:	*10.5	↗
16:	*10.7	↓
17:	10.3	↗
18:	*10.5	↗
19:	*10.7	↑
20:	10.2	←
Serie		100.0
Total		198.0



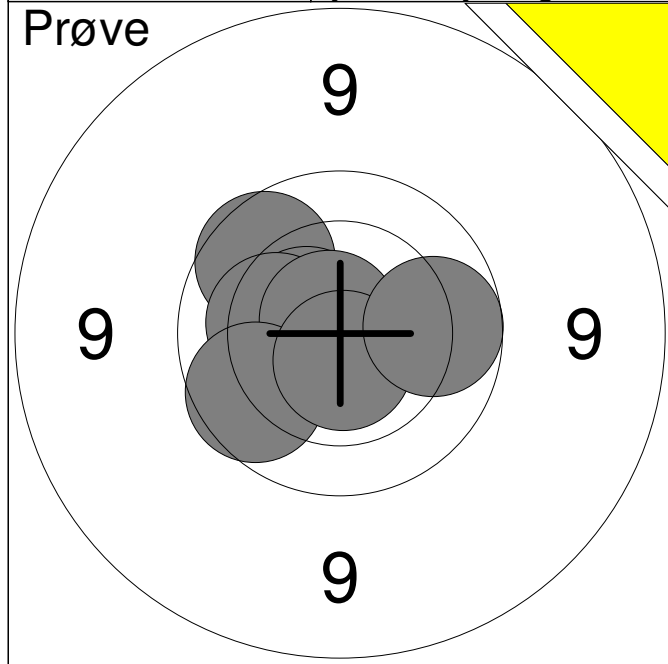
1: *10.5↙	6: 9.9 ↙	Serie	96.0
2: 10.4 ↘	7: 9.8 →		
3: 9.8 ↙	8: 10.4 ↙	Total	0.0
4: 9.5 ↙	9: 10.0↙		
5: 10.4↙	10: *10.5↑		

11: 10.1 ↗	Serie	48.0
12: *10.6→		
13: 9.7 ↙	Total	0.0
14: 9.9 ↙		
15: *10.8↑		

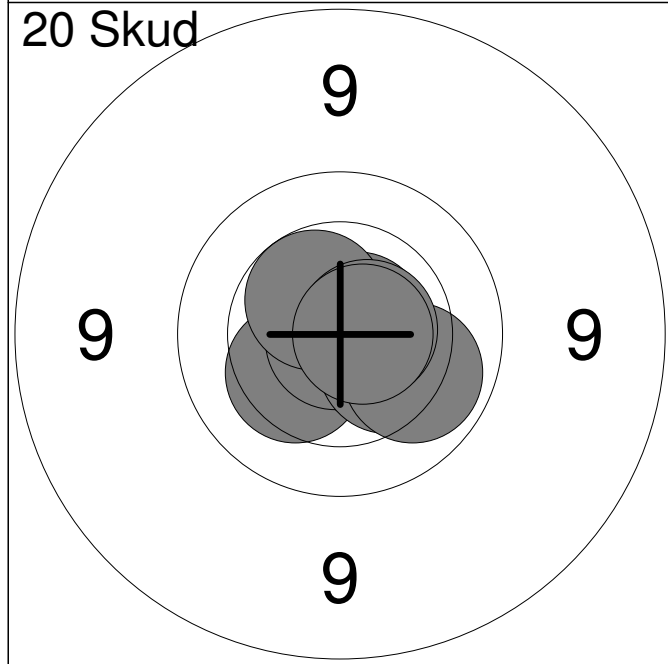


1: *10.5↗	6: 10.3 ↗	Serie	95.0
2: 9.9 ↗	7: 9.9 →		
3: 9.8 ↗	8: 10.0 ↙	Total	95.0
4: 9.5 ↙	9: *10.7↙		
5: *10.5↙	10: 9.9 ↗		

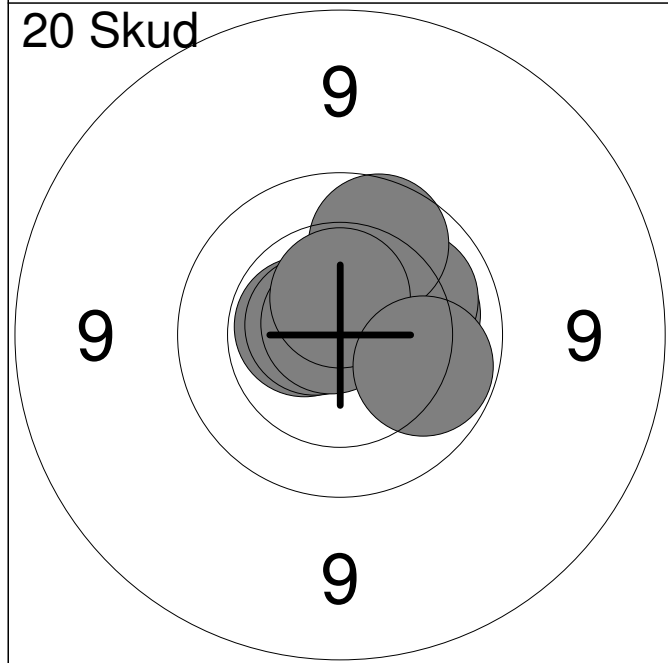
11: *10.7↓	16: 9.3 ↙	Serie	98.0
12: 10.4 ↓	17: 9.8 ↙		
13: *10.7↙	18: 10.2 ↑	Total	193.0
14: *10.8↓	19: 10.0 ↙		
15: 10.1 ↓	20: 10.0 ↓		



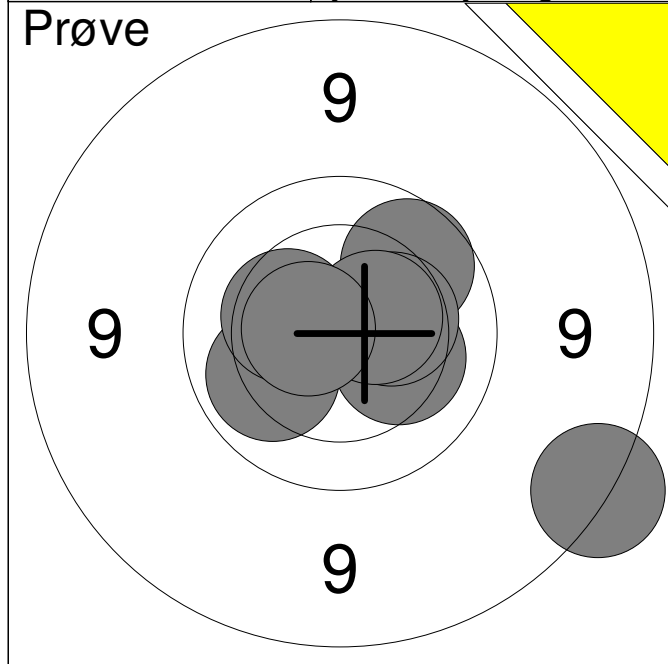
1:	9.9	↗
2:	*10.5	↗
3:	10.2	↖
4:	*10.8	↗
5:	9.9	↖
6:	*10.7	↓
7:	9.9	→
Serie		67.0
Total		0.0



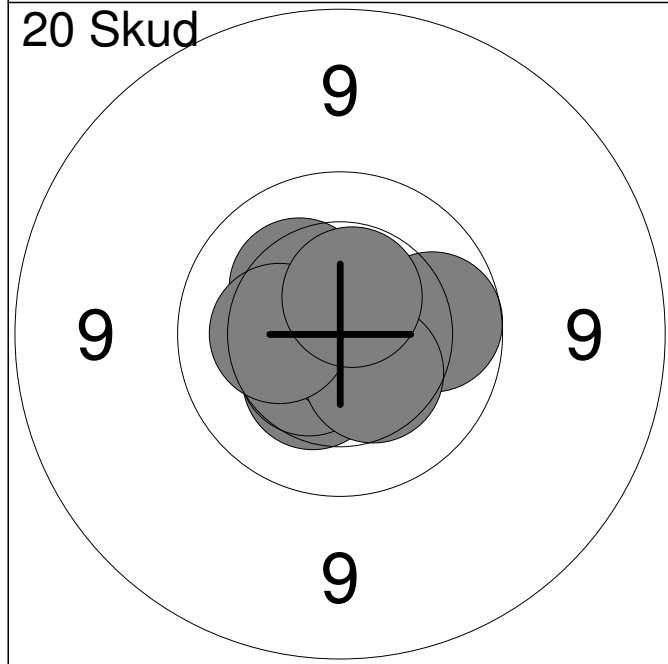
1:	*10.6	↘
2:	10.3	↖
3:	*10.6	↘
4:	*10.9	↖
5:	10.3	↘
6:	10.1	↘
7:	*10.7	↗
8:	*10.5	↗
9:	*10.7	→
10:	*10.7	→
Serie		100.0
Total		100.0



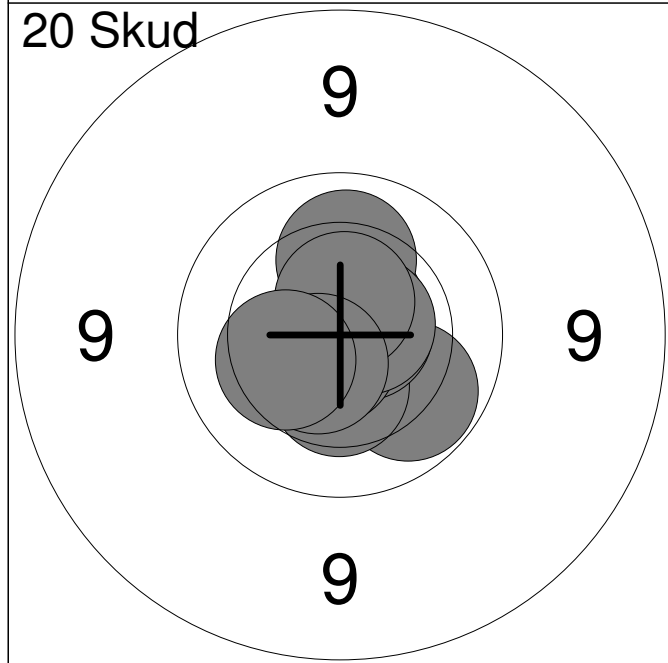
11:	10.2	→
12:	10.4	↗
13:	10.1	↗
14:	*10.7	↗
15:	*10.6	↖
16:	9.9	↗
17:	*10.7	↖
18:	*10.8	↗
19:	*10.5	↑
20:	10.0	↘
Serie		99.0
Total		199.0



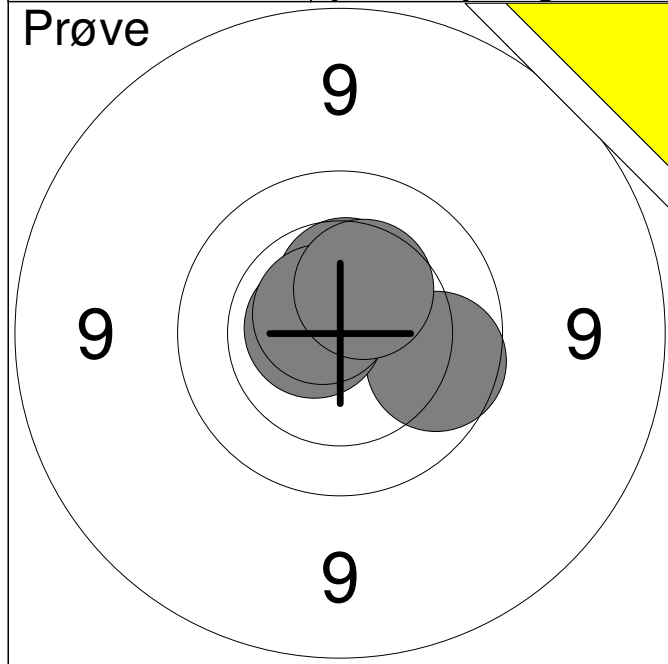
1:	8.7	↘
2:	9.9	↗
3:	10.2	↘
4:	10.4	→
5:	10.1	↙
6:	*10.5	↗
7:	10.3	↙
8:	*10.6	←
Serie		77.0
Total		0.0



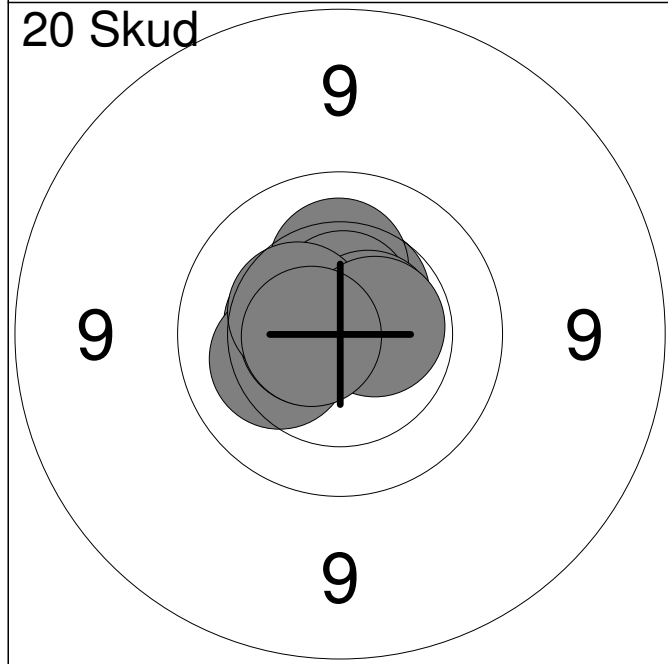
1:	10.4	↙
2:	10.5	↙
3:	*10.5	→
4:	*10.8	↘
5:	9.9	→
6:	*10.5	↗
7:	10.3	↗
8:	10.4	↘
9:	10.3	←
10:	*10.5	↗
Serie		99.0
Total		99.0



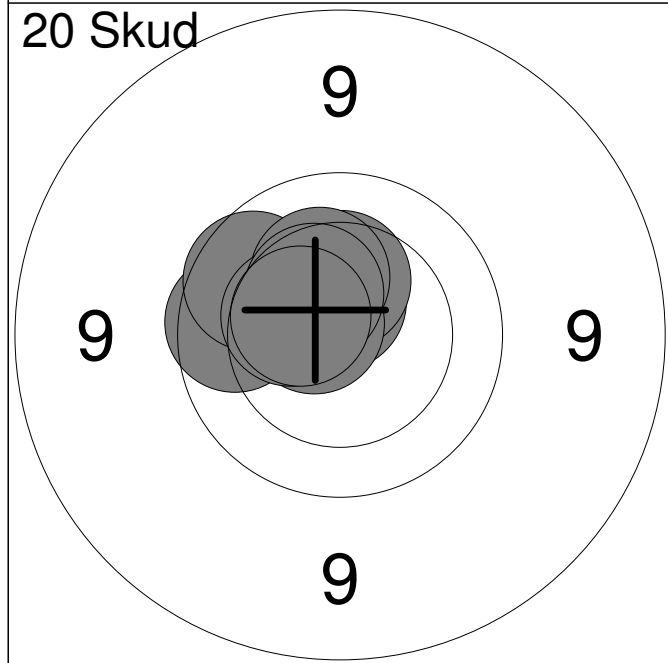
11:	*10.6	↗
12:	10.0	↘
13:	10.4	↓
14:	*10.7	→
15:	*10.7	↙
16:	10.1	↑
17:	*10.7	↗
18:	*10.6	↑
19:	*10.6	↙
20:	10.3	←
Serie		100.0
Total		199.0



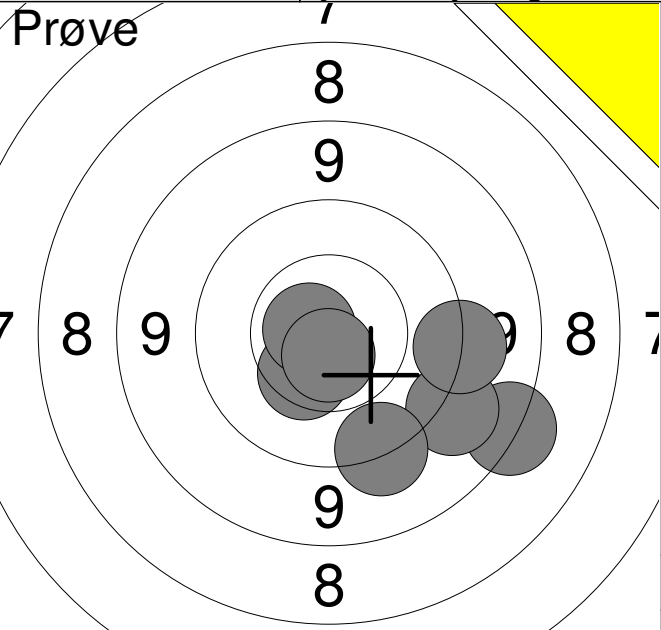
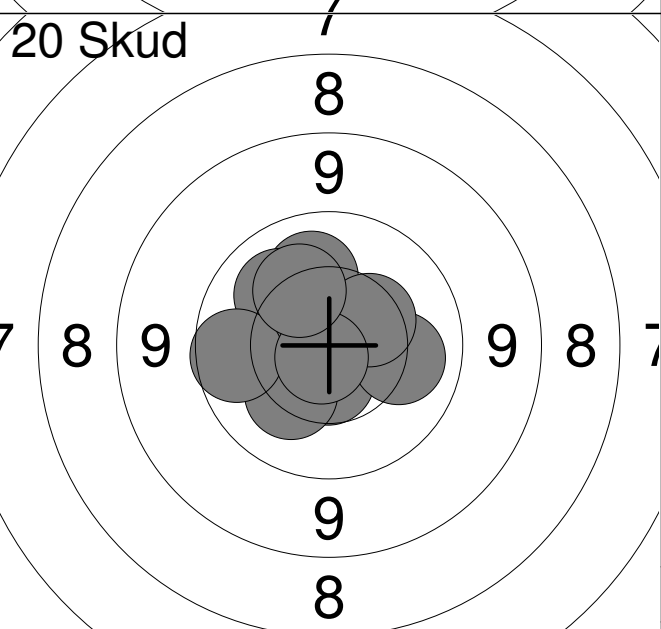
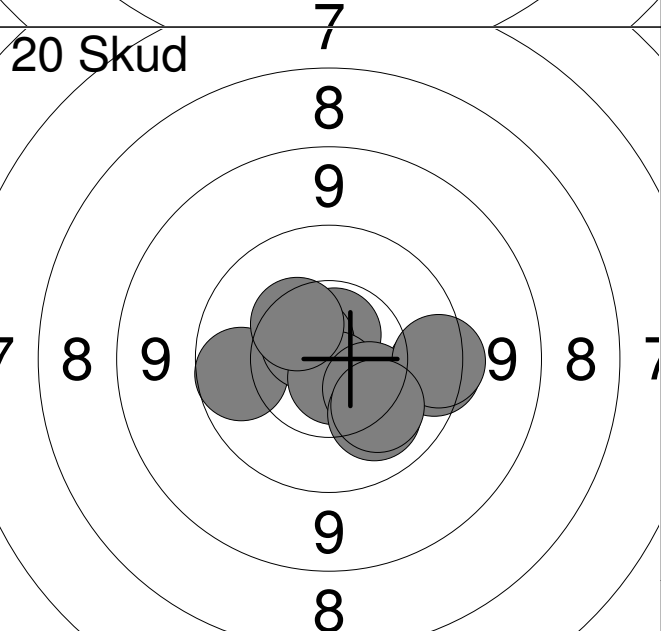
1:	9.9	→
2:	10.5	↑
3:	*10.7	←
4:	*10.7	↗
5:	10.4	↖
Serie		49.0
Total		0.0

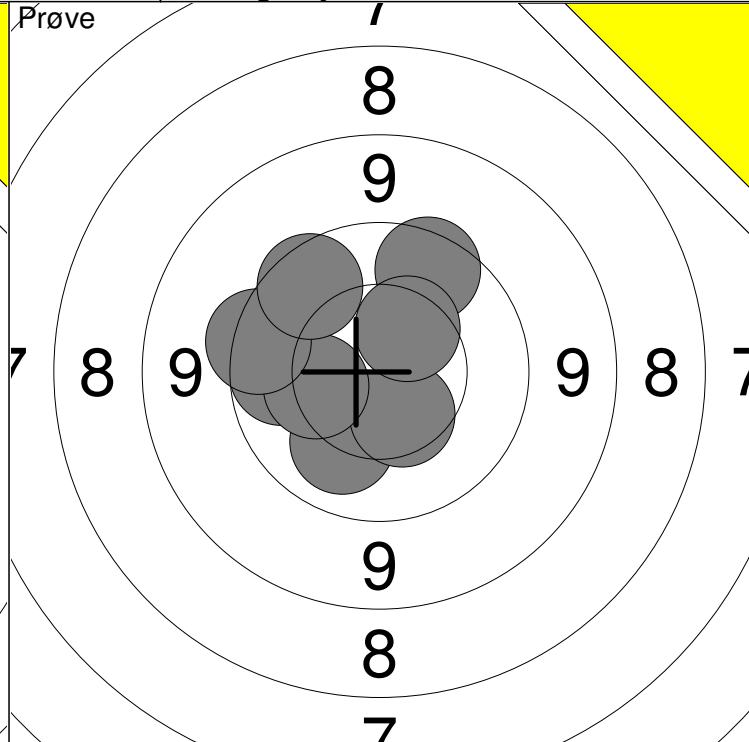
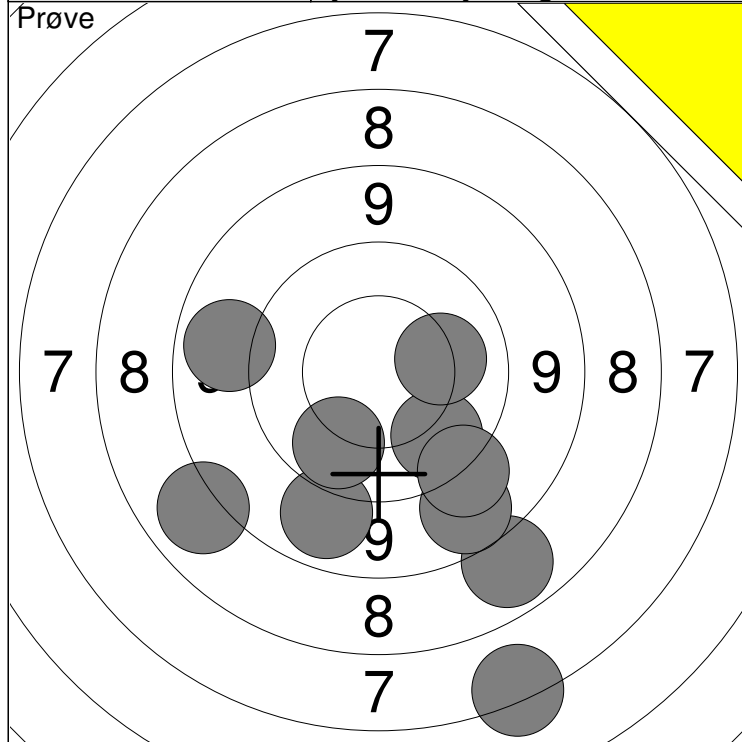


1:	10.5	↖
2:	10.2	↑
3:	10.4	←
4:	*10.6	↑
5:	10.2	←
6:	*10.6	↗
7:	*10.6	←
8:	10.4	↖
9:	*10.6	→
10:	*10.6	←
Serie		100.0
Total		100.0



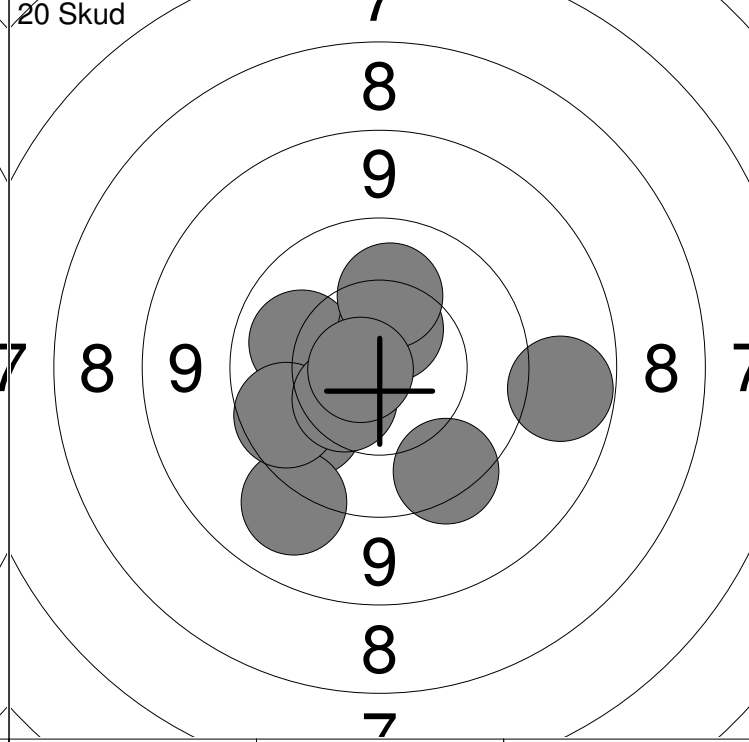
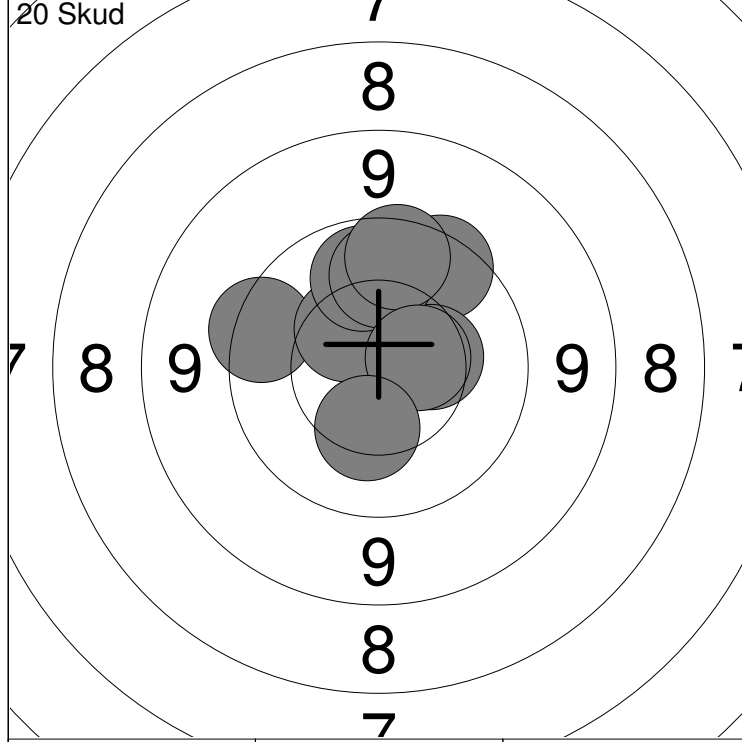
11:	*10.5	↖
12:	*10.6	↑
13:	9.9	←
14:	10.4	↑
15:	9.9	↗
16:	*10.6	↗
17:	10.3	↗
18:	10.4	↖
19:	10.4	↖
20:	10.5	↖
Serie		98.0
Total		198.0

	Jyllandsskydning	Aalborg Skyttekreds																													
<p>Prøve</p> 	<table style="width:100%; border-collapse: collapse;"> <tr><td style="width:10%;">1:</td><td style="width:20%;">10.4</td><td style="width:10%; text-align: center;">↙</td></tr> <tr><td>2:</td><td>8.5</td><td style="text-align: center;">→</td></tr> <tr><td>3:</td><td>9.2</td><td style="text-align: center;">↘</td></tr> <tr><td>4:</td><td>9.4</td><td style="text-align: center;">↘</td></tr> <tr><td>5:</td><td>9.4</td><td style="text-align: center;">→</td></tr> <tr><td>6:</td><td>*10.7</td><td style="text-align: center;">←</td></tr> <tr><td>7:</td><td>*10.7</td><td style="text-align: center;">↓</td></tr> </table>	1:	10.4	↙	2:	8.5	→	3:	9.2	↘	4:	9.4	↘	5:	9.4	→	6:	*10.7	←	7:	*10.7	↓									
1:	10.4	↙																													
2:	8.5	→																													
3:	9.2	↘																													
4:	9.4	↘																													
5:	9.4	→																													
6:	*10.7	←																													
7:	*10.7	↓																													
	Serie	65.0																													
	Total	0.0																													
<p>20 Skud</p> 	<table style="width:100%; border-collapse: collapse;"> <tr><td style="width:10%;">1:</td><td style="width:20%;">10.6</td><td style="width:10%; text-align: center;">↓</td></tr> <tr><td>2:</td><td>10.2</td><td style="text-align: center;">↙</td></tr> <tr><td>3:</td><td>10.1</td><td style="text-align: center;">↑</td></tr> <tr><td>4:</td><td>10.3</td><td style="text-align: center;">↗</td></tr> <tr><td>5:</td><td>10.1</td><td style="text-align: center;">→</td></tr> <tr><td>6:</td><td>10.1</td><td style="text-align: center;">↗</td></tr> <tr><td>7:</td><td>10.4</td><td style="text-align: center;">↗</td></tr> <tr><td>8:</td><td>9.9</td><td style="text-align: center;">←</td></tr> <tr><td>9:</td><td>*10.8</td><td style="text-align: center;">↙</td></tr> <tr><td>10:</td><td>10.2</td><td style="text-align: center;">↗</td></tr> </table>	1:	10.6	↓	2:	10.2	↙	3:	10.1	↑	4:	10.3	↗	5:	10.1	→	6:	10.1	↗	7:	10.4	↗	8:	9.9	←	9:	*10.8	↙	10:	10.2	↗
1:	10.6	↓																													
2:	10.2	↙																													
3:	10.1	↑																													
4:	10.3	↗																													
5:	10.1	→																													
6:	10.1	↗																													
7:	10.4	↗																													
8:	9.9	←																													
9:	*10.8	↙																													
10:	10.2	↗																													
	Serie	99.0																													
	Total	99.0																													
<p>20 Skud</p> 	<table style="width:100%; border-collapse: collapse;"> <tr><td style="width:10%;">11:</td><td style="width:20%;">*10.7</td><td style="width:10%; text-align: center;">↑</td></tr> <tr><td>12:</td><td>9.9</td><td style="text-align: center;">←</td></tr> <tr><td>13:</td><td>*10.6</td><td style="text-align: center;">↗</td></tr> <tr><td>14:</td><td>9.7</td><td style="text-align: center;">→</td></tr> <tr><td>15:</td><td>*10.7</td><td style="text-align: center;">↓</td></tr> <tr><td>16:</td><td>10.4</td><td style="text-align: center;">↓</td></tr> <tr><td>17:</td><td>10.1</td><td style="text-align: center;">↘</td></tr> <tr><td>18:</td><td>10.4</td><td style="text-align: center;">↗</td></tr> <tr><td>19:</td><td>9.7</td><td style="text-align: center;">→</td></tr> <tr><td>20:</td><td>10.2</td><td style="text-align: center;">↘</td></tr> </table>	11:	*10.7	↑	12:	9.9	←	13:	*10.6	↗	14:	9.7	→	15:	*10.7	↓	16:	10.4	↓	17:	10.1	↘	18:	10.4	↗	19:	9.7	→	20:	10.2	↘
11:	*10.7	↑																													
12:	9.9	←																													
13:	*10.6	↗																													
14:	9.7	→																													
15:	*10.7	↓																													
16:	10.4	↓																													
17:	10.1	↘																													
18:	10.4	↗																													
19:	9.7	→																													
20:	10.2	↘																													
	Serie	97.0																													
	Total	196.0																													



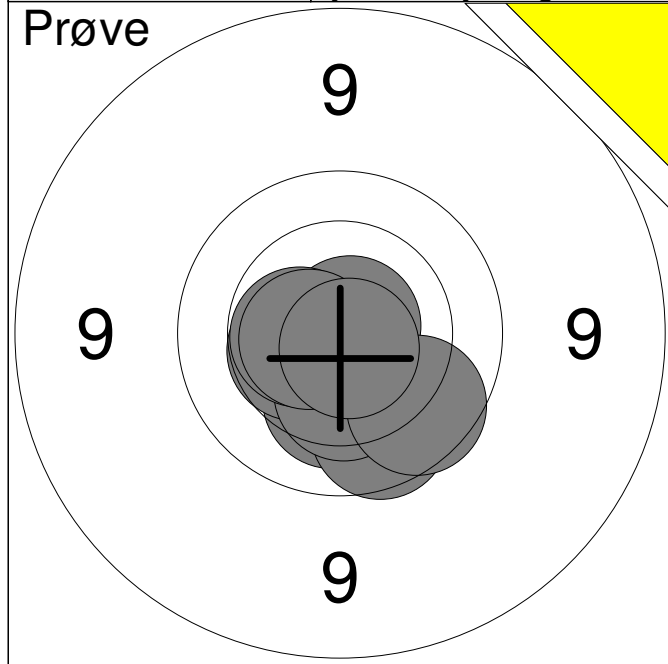
1: 6.5 ↓	6: 9.3 ↓	Serie	86.0
2: 9.9 ↓	7: 8.1 ↓		
3: 8.0 ↓	8: 9.1 ←	Total	0.0
4: 8.9 ↓	9: 9.1 ↓		
5: 10.2 →	10: 10.0 ↓		

11: 9.9 ←	16: 9.6 ←	Serie	76.0
12: 10.1 ↓	17: 9.8 ↗		
13: 10.5 ↓	18: 10.4 ↗	Total	0.0
14: 10.3 ←			
15: 9.8 ↗			

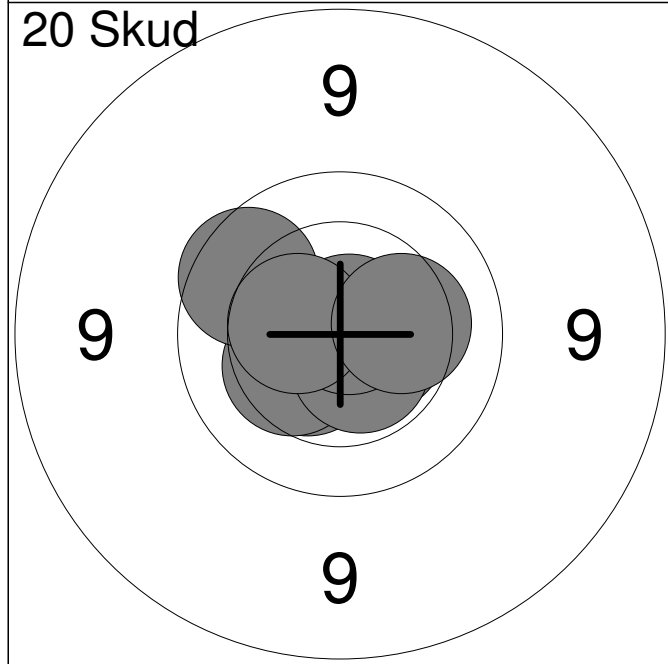


1: *10.7 ↑	6: 10.0 ↑	Serie	97.0
2: 9.7 ←	7: 10.0 ↑		
3: 9.7 ↗	8: 9.8 ↑	Total	97.0
4: 10.4 →	9: 10.5 →		
5: 10.4 ↘	10: 10.3 ↓		

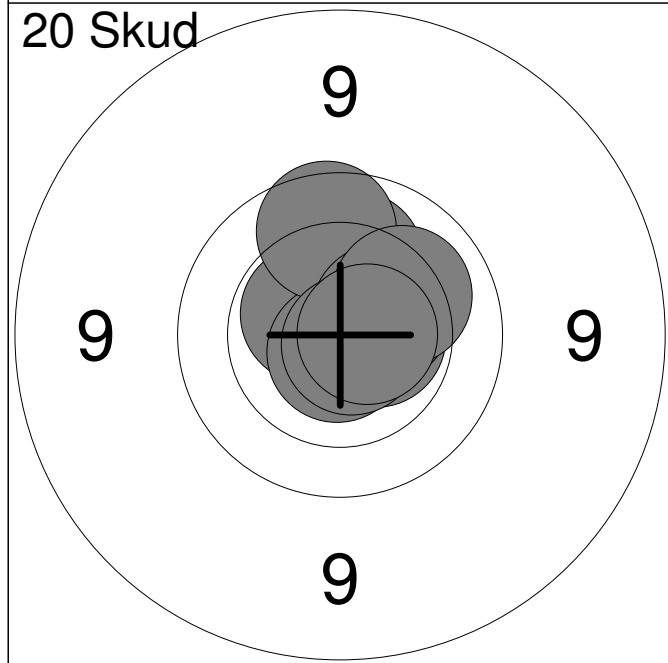
11: 10.1 ←	16: 9.2 ↓	Serie	96.0
12: 10.0 ↓	17: 9.9 ←		
13: 9.7 ↓	18: 10.2 ↑	Total	193.0
14: 9.0 →	19: 10.5 ↓		
15: 10.5 ↑	20: *10.8 ←		



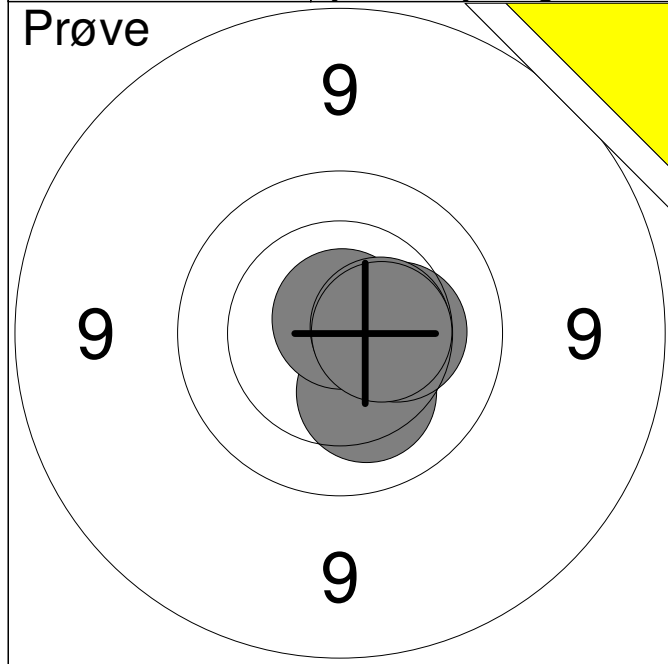
1:	10.2	↓
2:	9.9	↓
3:	*10.6	↙
4:	10.5	←
5:	*10.8	↗
6:	10.3	↓
7:	9.9	↓
8:	*10.5	←
9:	*10.6	←
10:	*10.8	↓
Serie		98.0
Total		0.0



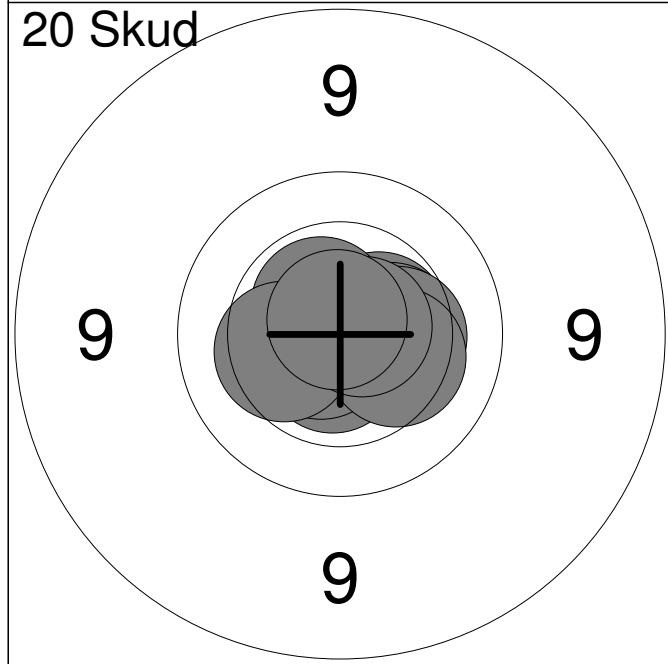
1:	*10.8	→
2:	*10.7	↓
3:	10.5	↙
4:	*10.5	→
5:	10.3	↙
6:	9.9	↗
7:	*10.6	↓
8:	*10.8	↗
9:	10.5	←
10:	10.3	→
Serie		99.0
Total		99.0



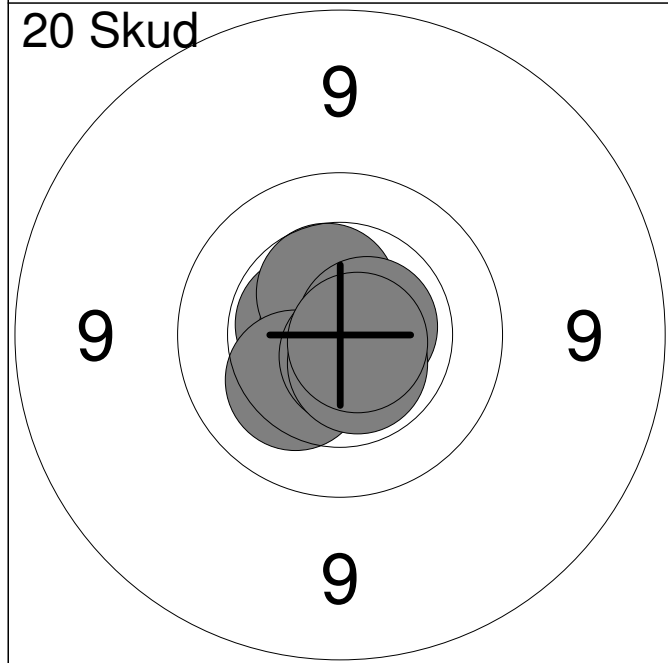
11:	*10.6	→
12:	10.1	↑
13:	*10.8	↗
14:	*10.6	↖
15:	*10.8	↓
16:	9.9	↑
17:	10.4	↗
18:	*10.8	↓
19:	10.2	↗
20:	*10.7	→
Serie		99.0
Total		198.0



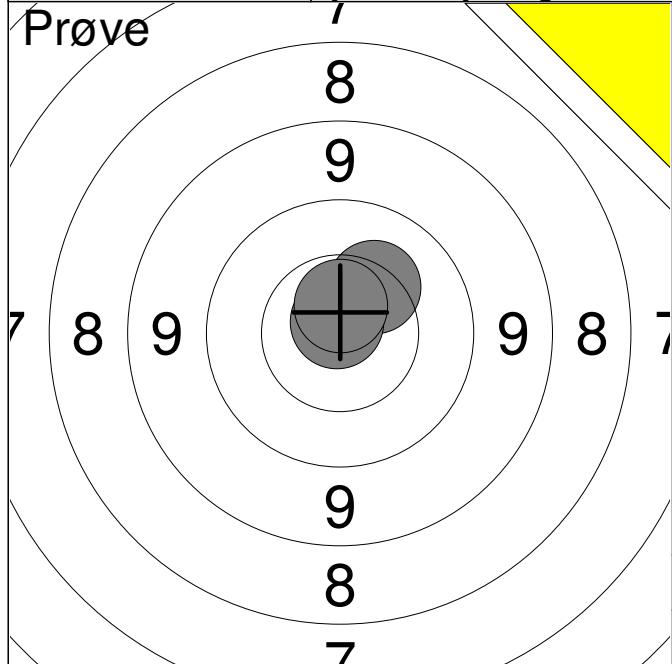
1:	10.3	↓
2:	*10.8	↑
3:	10.3	→
4:	*10.5	→
5:	*10.5	→
Serie		50.0
Total		0.0



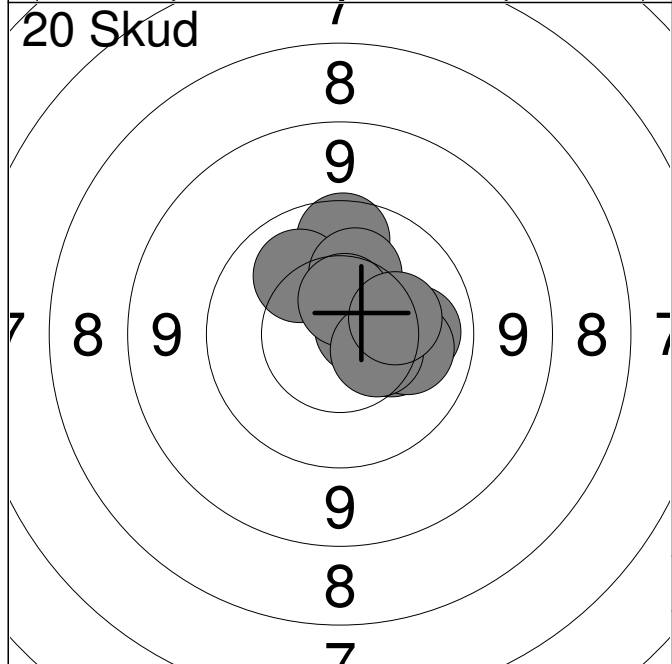
1:	*10.5	→
2:	*10.6	↓
3:	10.4	→
4:	10.3	→
5:	*10.7	↙
6:	*10.6	↗
7:	10.3	→
8:	10.3	←
9:	*10.7	→
10:	*10.8	↑
Serie		100.0
Total		100.0



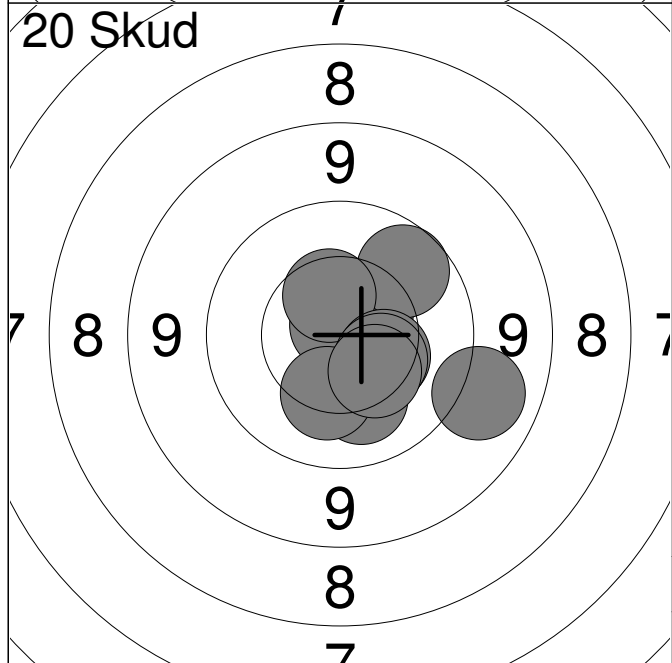
11:	*10.6	↓
12:	*10.8	↗
13:	*10.6	←
14:	*10.8	←
15:	10.5	↗
16:	10.3	↙
17:	*10.7	↓
18:	*10.6	→
19:	*10.6	↓
20:	*10.7	↘
Serie		100.0
Total		200.0



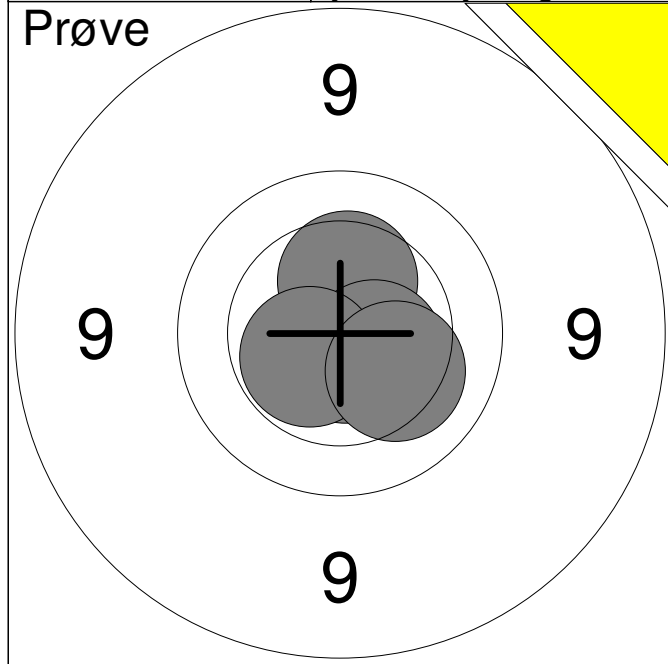
1:	10.3	↗
2:	*10.8	↑
3:	*10.6	↑
Serie		30.0
Total		0.0



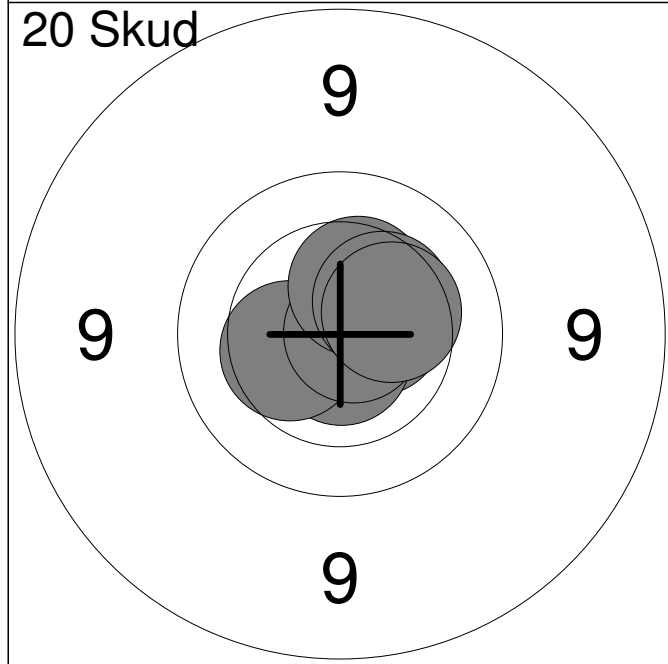
1:	*10.7	→
2:	9.8	↑
3:	10.1	↗
4:	10.2	↑
5:	10.3	→
6:	10.6	↑
7:	10.1	→
8:	10.2	→
9:	10.5	→
10:	10.3	→
Serie		99.0
Total		99.0



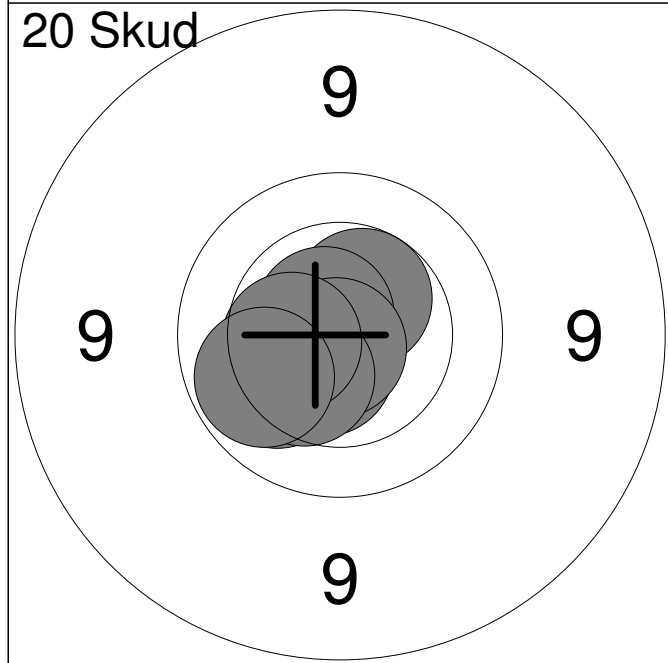
11:	10.6	↗
12:	*10.8	↑
13:	9.9	↗
14:	10.2	↓
15:	10.5	↑
16:	10.4	→
17:	10.4	→
18:	10.3	↓
19:	10.4	↓
20:	9.1	→
Serie		98.0
Total		197.0



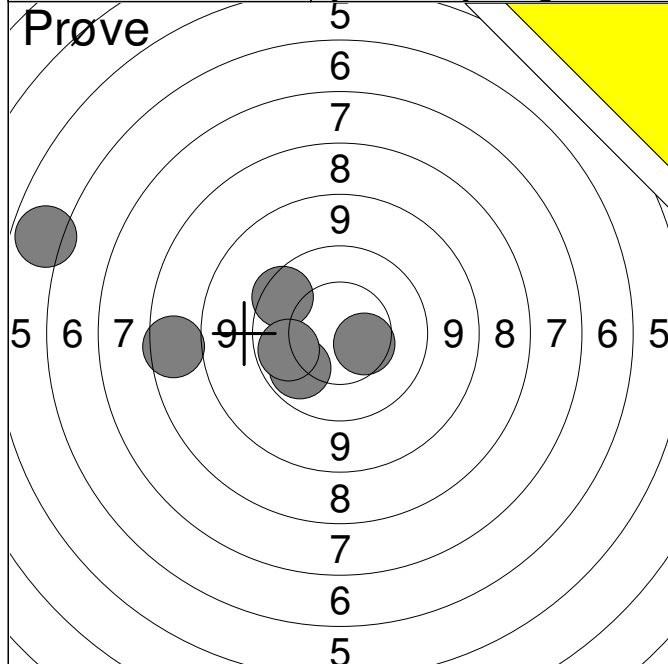
1:	*10.7	↓
2:	10.4	↑
3:	*10.5	→
4:	*10.5	←
5:	10.2	↘
Serie		50.0
Total		0.0



1:	*10.6	→
2:	*10.6	↗
3:	*10.8	↓
4:	*10.9	↗
5:	*10.7	↓
6:	10.4	←
7:	*10.8	→
8:	10.4	↑
9:	10.4	↗
10:	10.3	→
Serie		100.0
Total		100.0

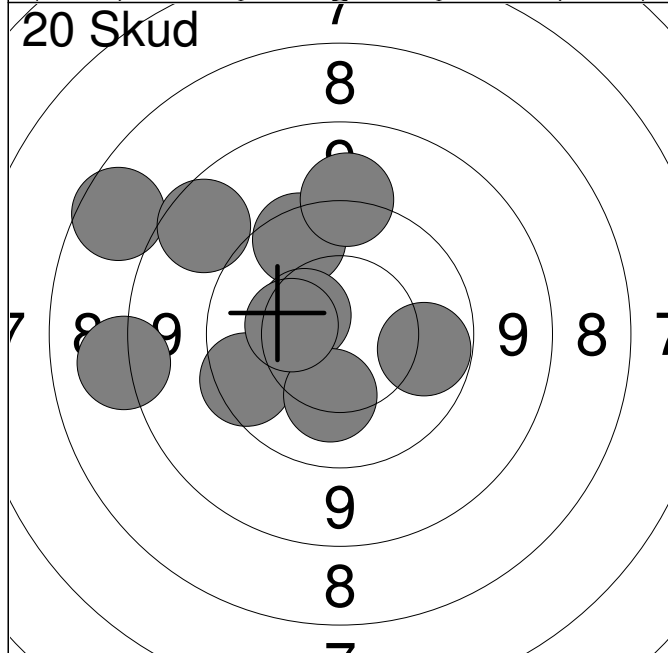


11:	*10.5	↗
12:	10.1	←
13:	*10.7	↖
14:	*10.6	↓
15:	10.3	←
16:	*10.8	↓
17:	10.4	←
18:	10.4	↘
19:	10.4	←
20:	10.0	←
Serie		100.0
Total		200.0



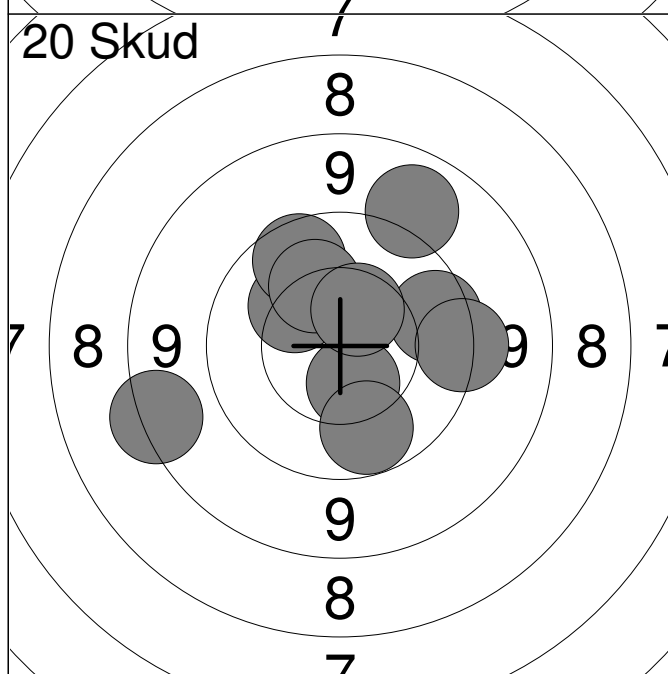
1:	10.5	➔
2:	7.8	➔
3:	9.7	➔
4:	5.0	➔
5:	10.0	➔
6:	10.0	➔

Serie	51.0
Total	0.0



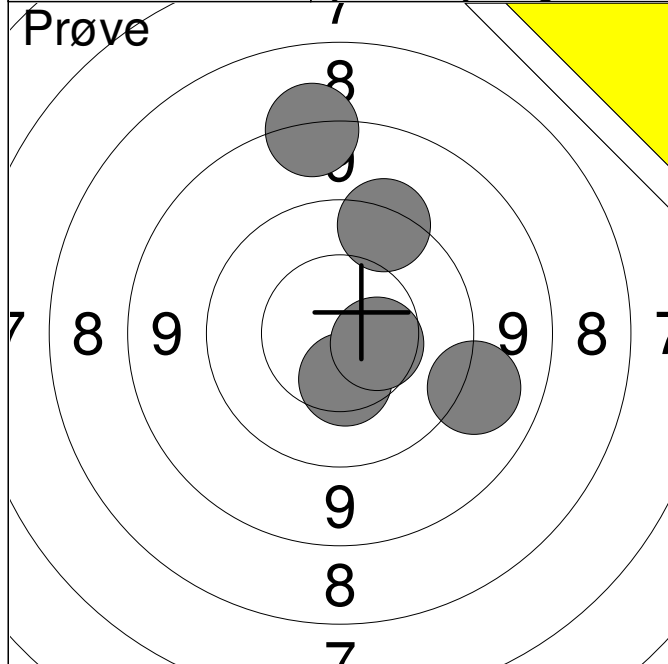
1:	10.0	➔
2:	7.8	➔
3:	8.3	➔
4:	9.7	➔
5:	9.7	➔
6:	8.8	➔
7:	10.5	➔
8:	10.2	➔
9:	9.3	➔
10:	10.4	➔

Serie	90.0
Total	90.0

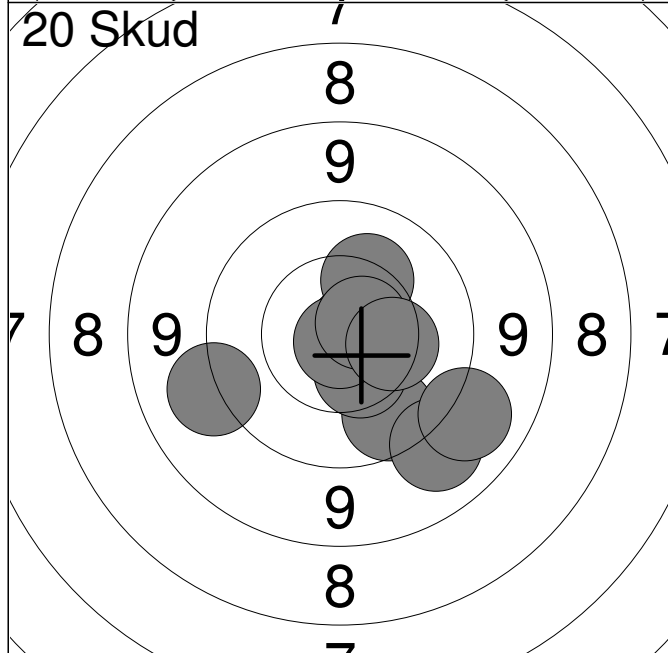


11:	10.2	➔
12:	8.5	➔
13:	9.8	➔
14:	9.8	➔
15:	9.1	➔
16:	10.5	➔
17:	9.5	➔
18:	10.0	➔
19:	10.2	➔
20:	10.5	➔

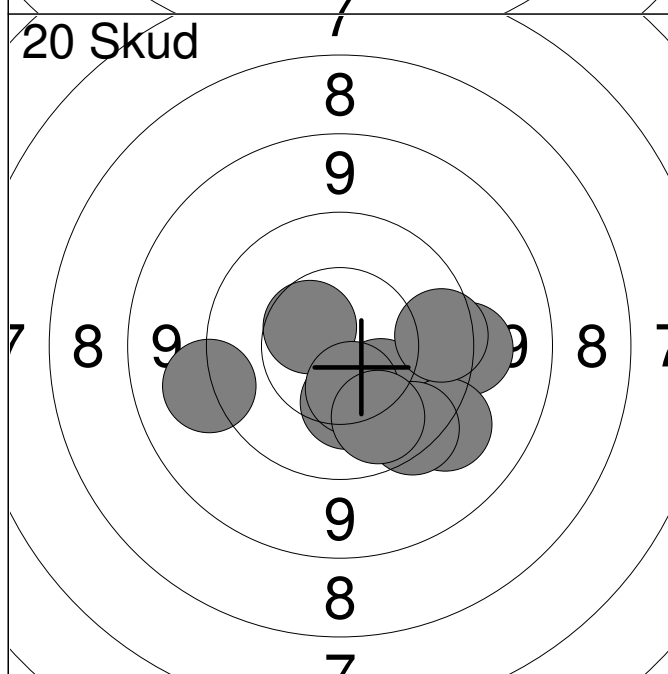
Serie	94.0
Total	184.0



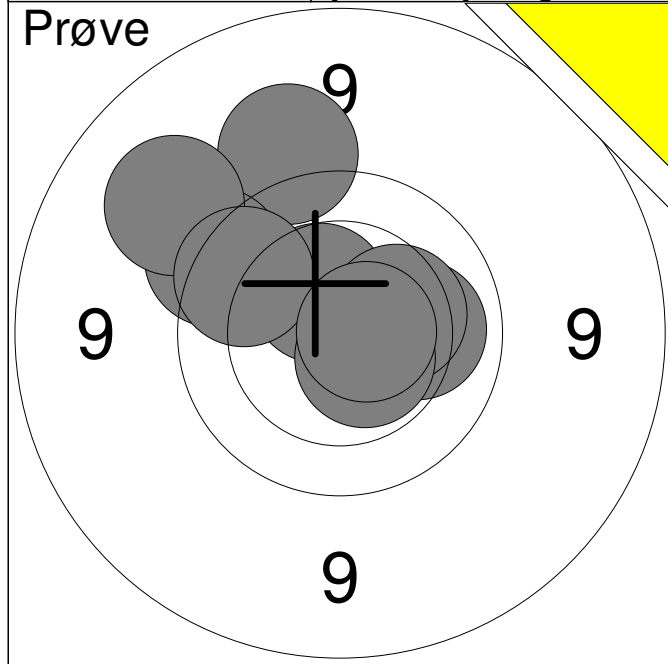
	1:	8.4	↑
	2:	9.6	↗
	3:	9.2	→
	4:	10.4	↓
	5:	10.5	↘
Serie			46.0
Total			0.0



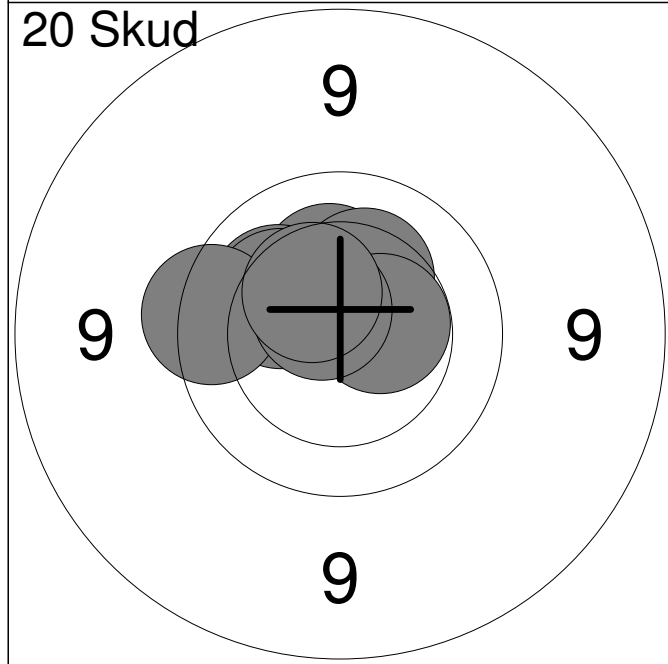
	1:	9.9	↘
	2:	9.2	↘
	3:	*10.8	→
	4:	10.5	↘
	5:	9.3	↙
	6:	9.2	↘
	7:	*10.9	↓
	8:	10.3	↗
	9:	*10.7	↗
	10:	10.3	→
Serie			96.0
Total			96.0



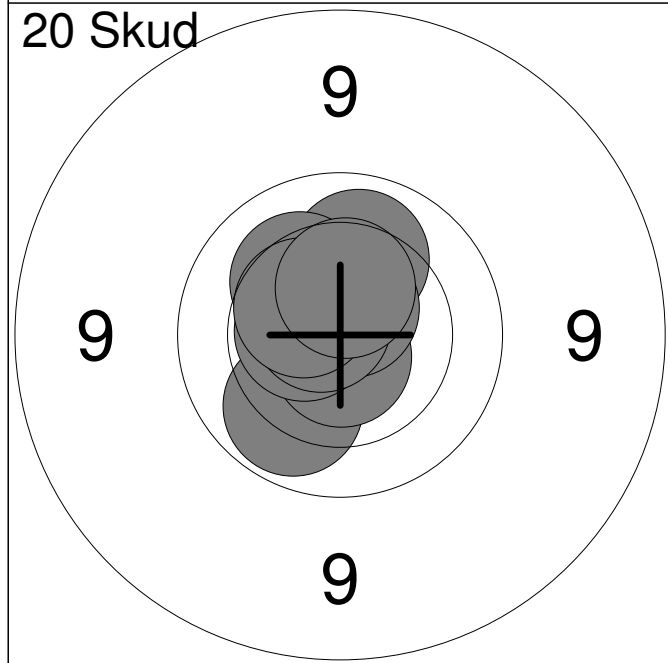
	11:	10.3	↘
	12:	10.3	↓
	13:	9.4	→
	14:	9.4	↘
	15:	9.8	→
	16:	9.3	↙
	17:	10.5	↗
	18:	10.4	↘
	19:	9.7	↘
	20:	10.0	↘
Serie			95.0
Total			191.0



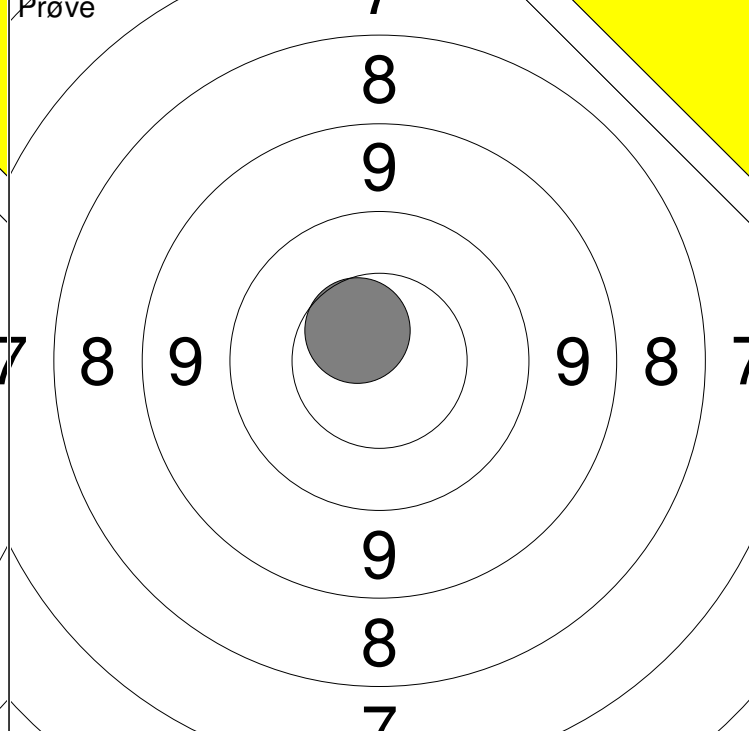
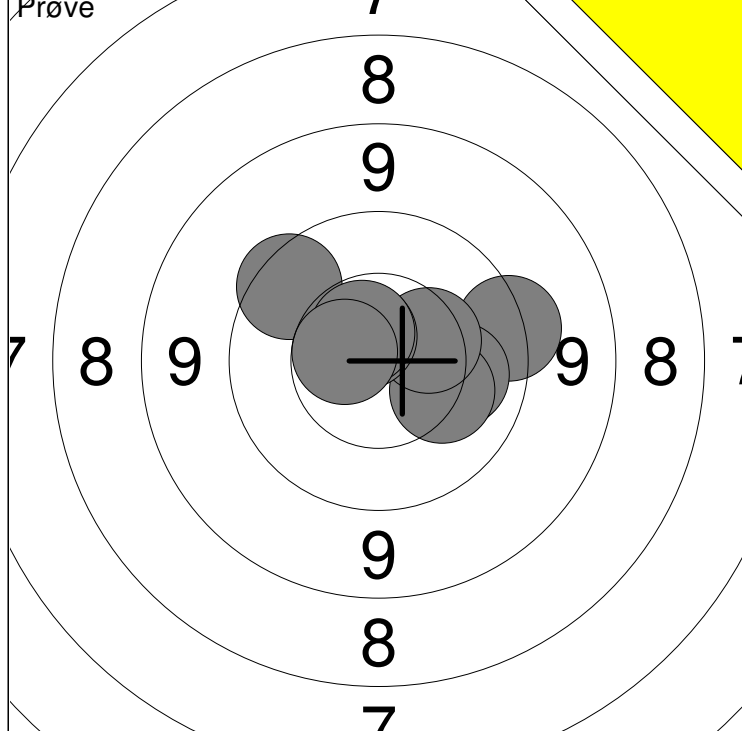
1:	10.1	→
2:	9.4	↑
3:	9.6	↗
4:	9.2	↗
5:	10.5	↑
6:	10.3	→
7:	*10.6	↘
8:	9.8	↗
9:	*10.7	→
Serie		86.0
Total		0.0



1:	*10.5	↗
2:	10.3	↑
3:	*10.6	↗
4:	10.3	↗
5:	10.2	↗
6:	10.2	↗
7:	9.7	←
8:	*10.5	→
9:	*10.6	↗
10:	10.4	↗
Serie		99.0
Total		99.0

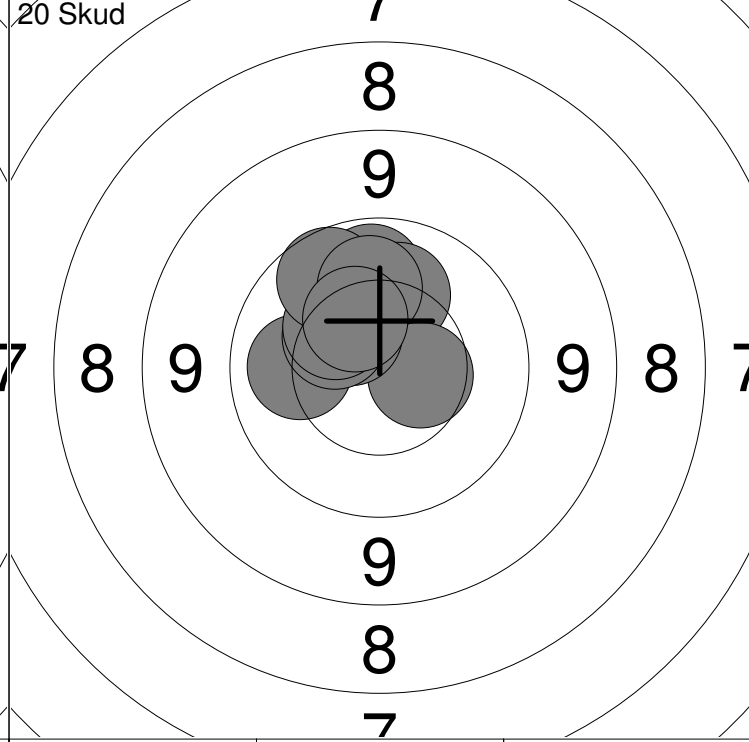
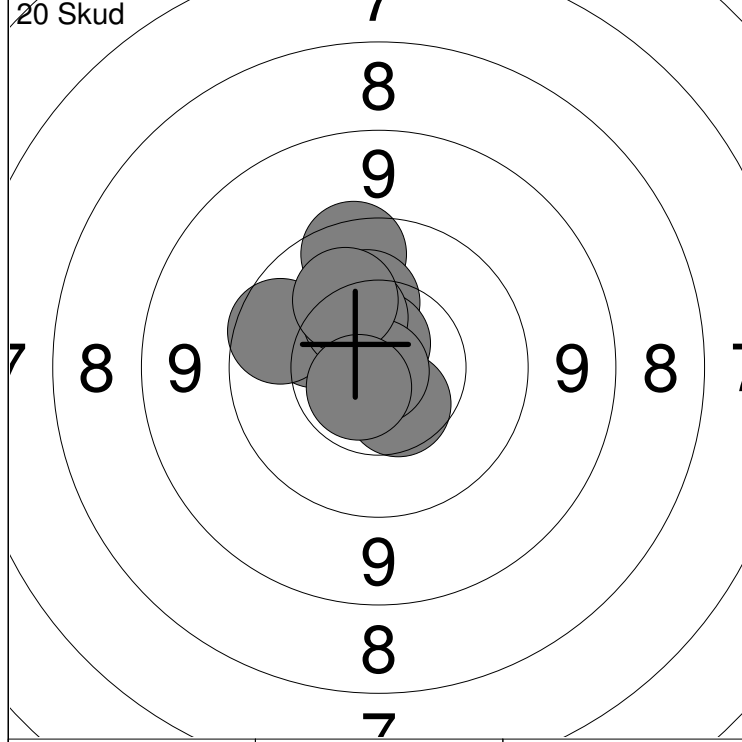


11:	*10.6	↙
12:	10.1	↑
13:	10.0	↙
14:	*10.7	↓
15:	*10.6	↑
16:	*10.6	←
17:	10.2	↗
18:	*10.7	↗
19:	10.5	↗
20:	10.4	↑
Serie		100.0
Total		199.0



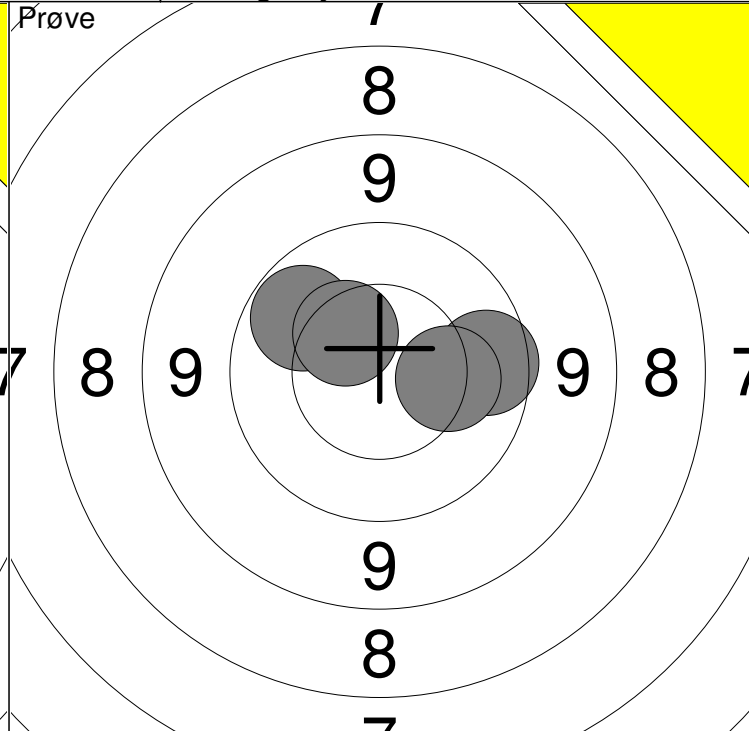
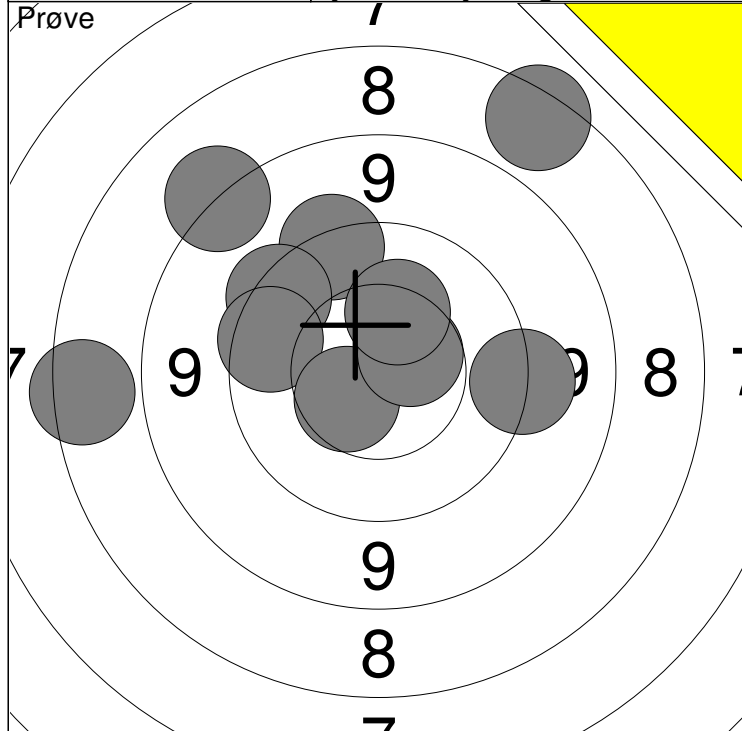
1: 9.5 →	7: 9.7 ↖	Serie 88.0
2: 10.2 →	8: *10.7 ↗	
3: 10.1 →	9: *10.6 ↗	Total 0.0
5: 10.2 →	10: 10.6 ←	
6: 10.4 →		

11: 10.6 ↖	Serie 10.0
	Total 0.0



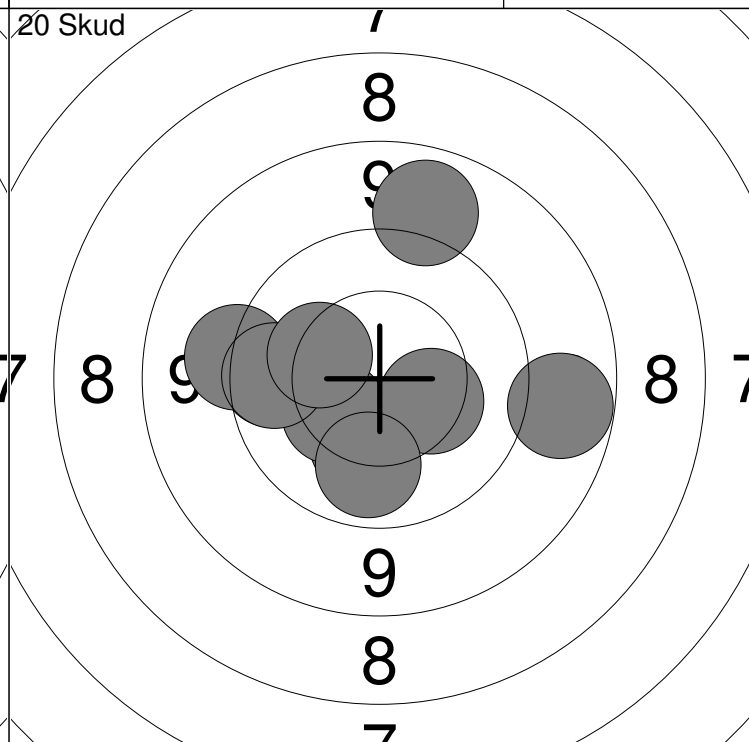
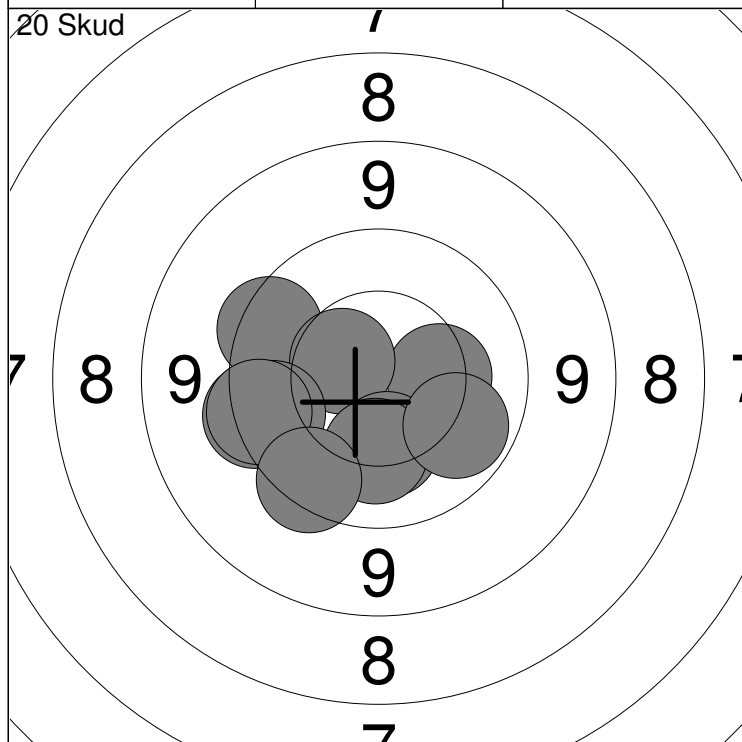
1: 9.7 ↑	6: 10.5 ↓	Serie 98.0
2: 10.3 ↑	7: 10.4 ↗	
3: *10.7 ↑	8: *10.9 ↓	Total 98.0
4: 10.2 ↖	9: 10.2 ↗	
5: 9.9 ←	10: *10.7 ↘	

11: 10.1 ←	16: 10.4 ↖	Serie 99.0
12: 10.0 ↑	17: 10.3 ↗	
13: 10.2 ↑	18: 9.9 ↗	Total 197.0
14: 10.5 →	19: 10.1 ↑	
15: 10.5 ↖	20: 10.4 ↖	



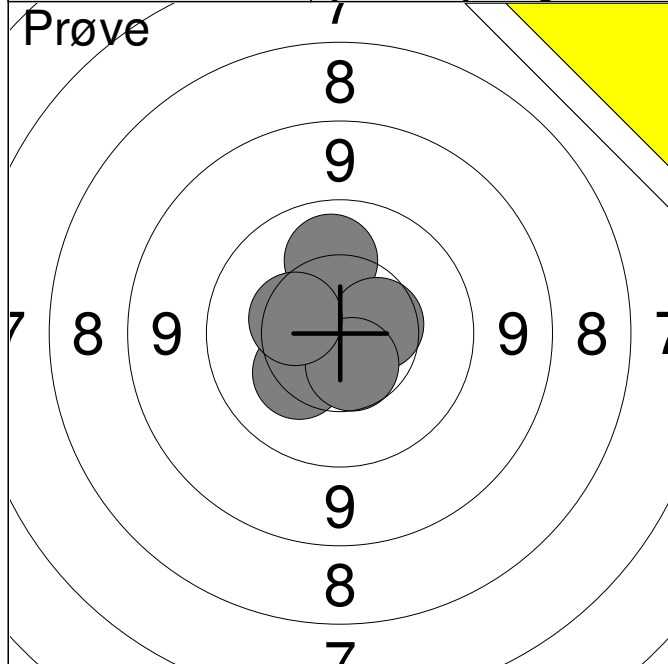
1: 7.6 ↗	6: 9.8 ←	Serie	88.0
2: 9.5 ↗	7: 9.4 →		
3: 8.4 ↗	8: 10.5 ↘	Total	0.0
4: 7.7 ←	9: 10.6 ↗		
5: 9.6 ↖	10: 10.3 ↗		

11: 9.8 →	Serie	39.0
12: 10.0 ↖		
13: 10.4 ↖	Total	0.0
14: 10.2 →		

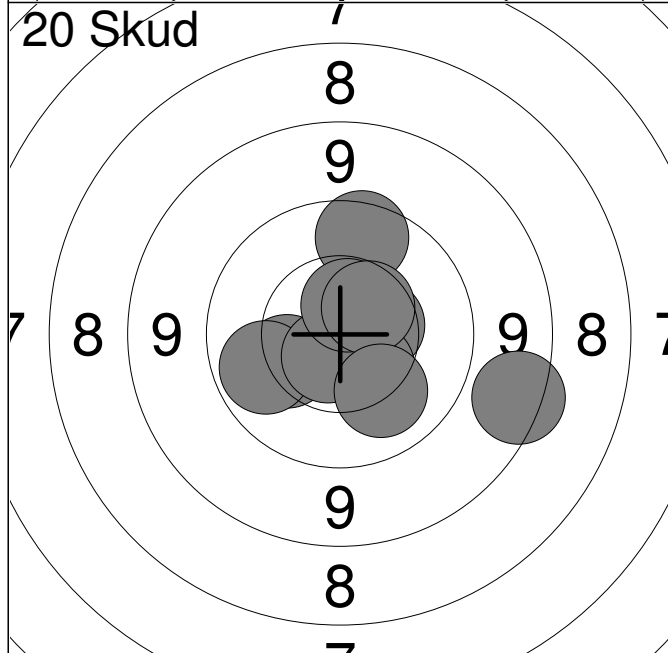


1: 9.7 ←	6: 9.8 ←	Serie	95.0
2: 10.3 →	7: 9.6 ←		
3: 10.5 ←	8: 9.6 ←	Total	95.0
4: 10.3 ↓	9: 9.7 ↘		
5: 10.2 ↓	10: 10.0 ⇒		

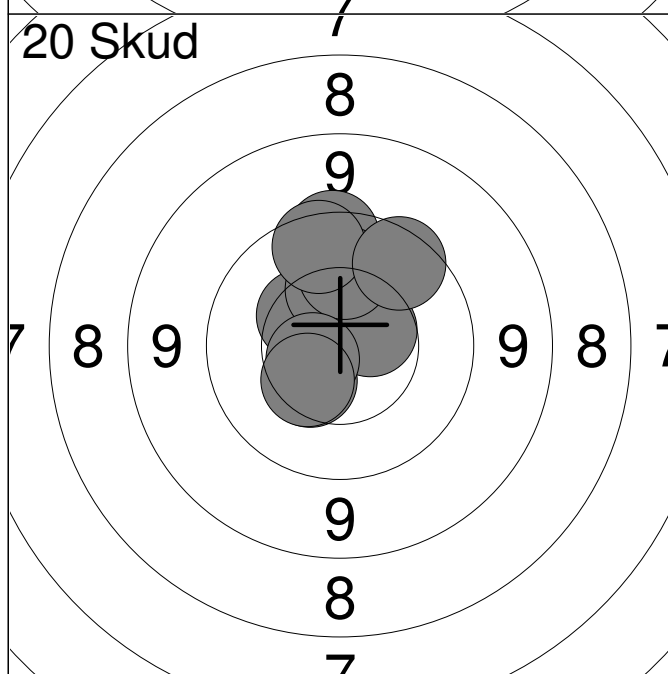
11: 10.3 ↓	16: 10.4 ←	Serie	95.0
12: 9.8 ←	17: 9.9 ←		
13: 9.4 ←	18: 10.4 →	Total	190.0
14: 9.1 ↗	19: 10.0 ↓		
15: 9.0 →	20: 10.3 ↖		



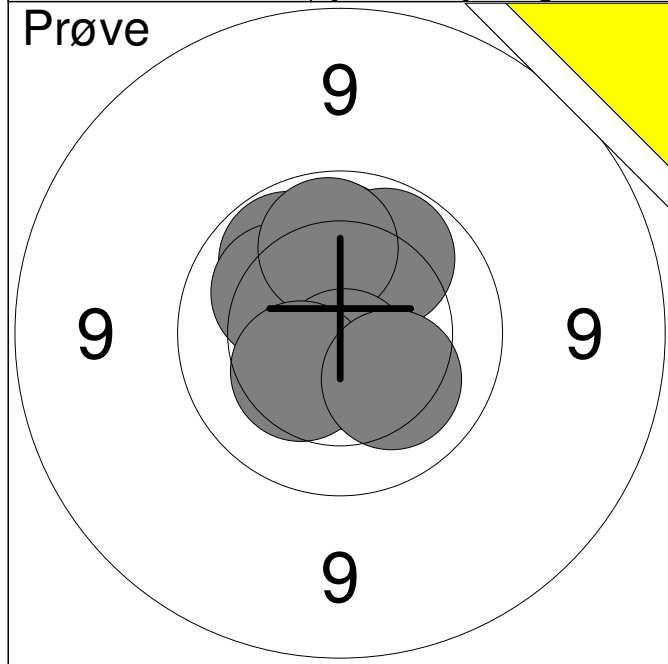
	1:	10.1	↑
	2:	10.5	→
	3:	10.3	↙
	4:	10.6	↓
	5:	10.4	←
Serie			50.0
Total			0.0



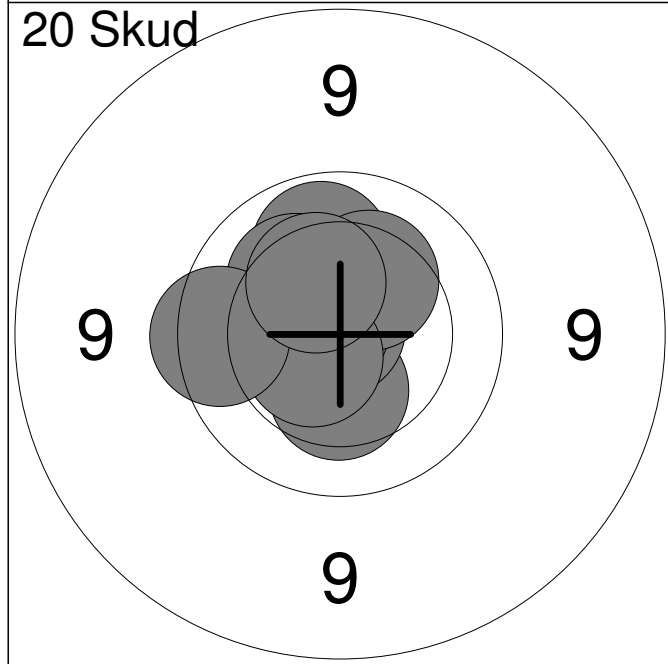
	1:	10.5	→
	2:	10.4	↓
	3:	10.3	↙
	4:	10.0	←
	5:	*10.7	↓
	6:	9.8	↑
	7:	8.6	→
	8:	*10.6	↑
	9:	10.5	↗
	10:	10.1	↓
Serie			97.0
Total			97.0



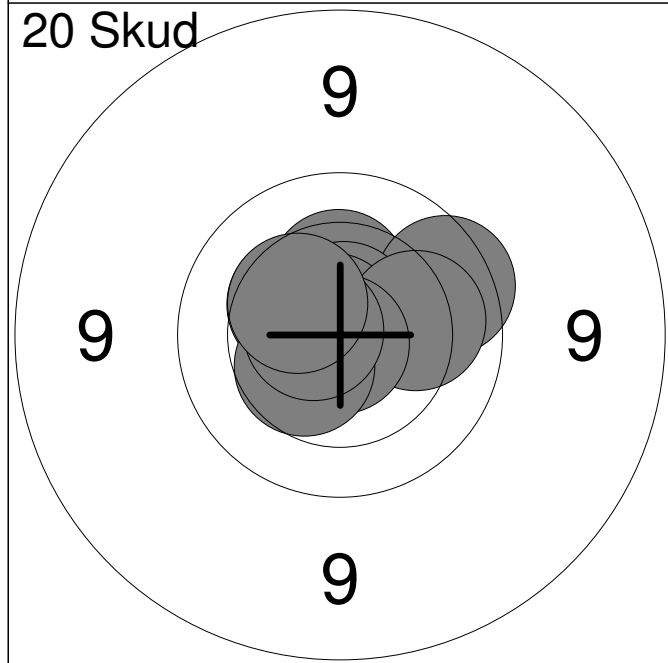
	11:	10.4	↙
	12:	10.4	↖
	13:	10.3	↑
	14:	10.6	↗
	15:	9.7	↑
	16:	10.1	↑
	17:	*10.6	↙
	18:	9.8	↑
	19:	9.8	↗
	20:	10.4	↙
Serie			97.0
Total			194.0



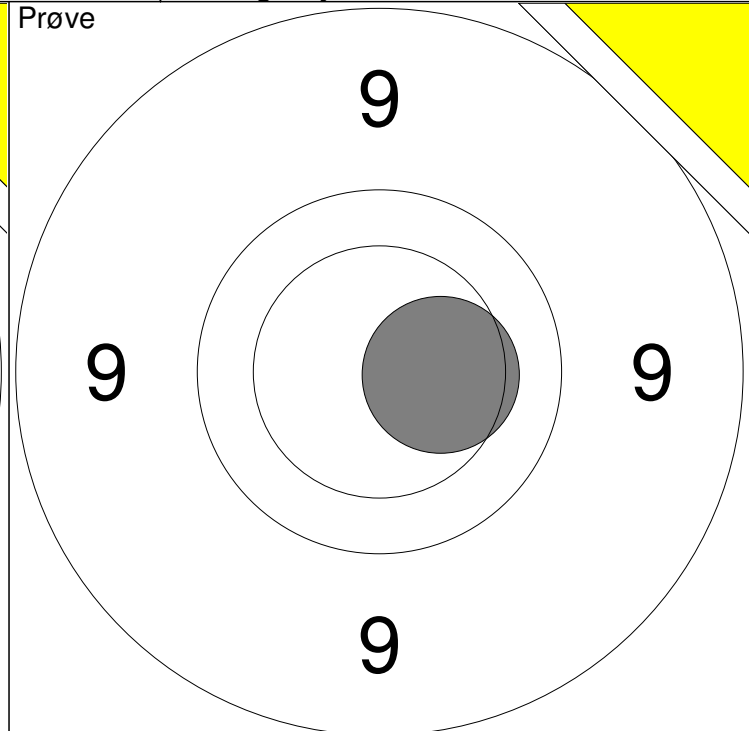
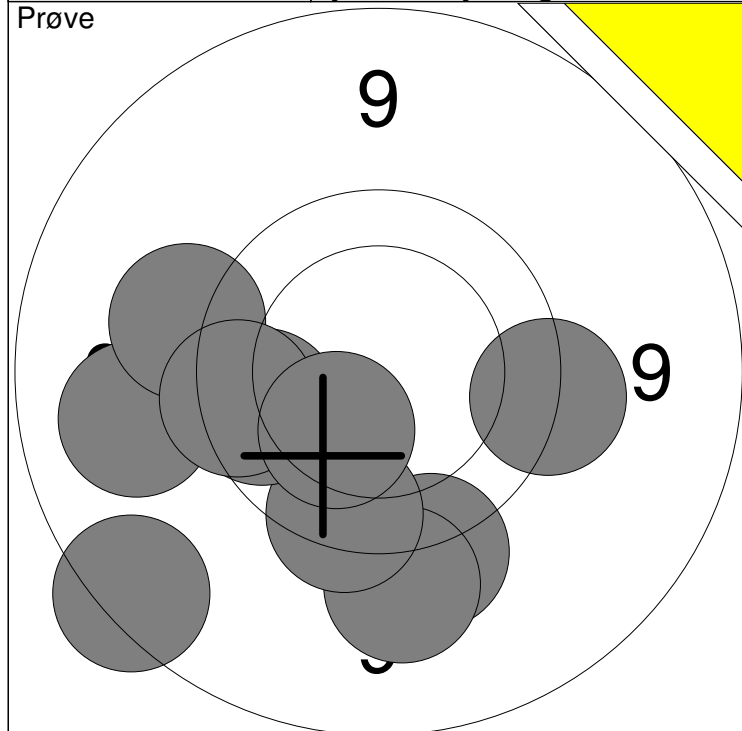
1:	10.1	↑
2:	10.0	↗
3:	10.2	↘
4:	10.0	↖
5:	10.0	↑
6:	*10.7	↓
7:	10.4	↙
8:	10.2	↘
Serie		80.0
Total		0.0



1:	10.3	↓
2:	10.0	↑
3:	10.2	↗
4:	*10.7	↖
5:	*10.9	↖
6:	*10.7	↖
7:	10.3	↖
8:	*10.6	↙
9:	9.8	←
10:	10.3	↑
Serie		99.0
Total		99.0

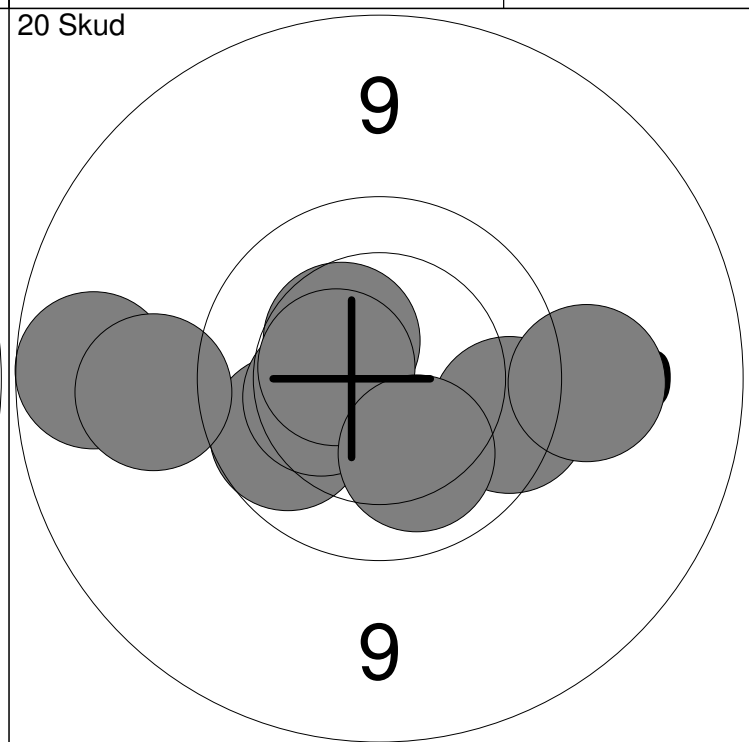
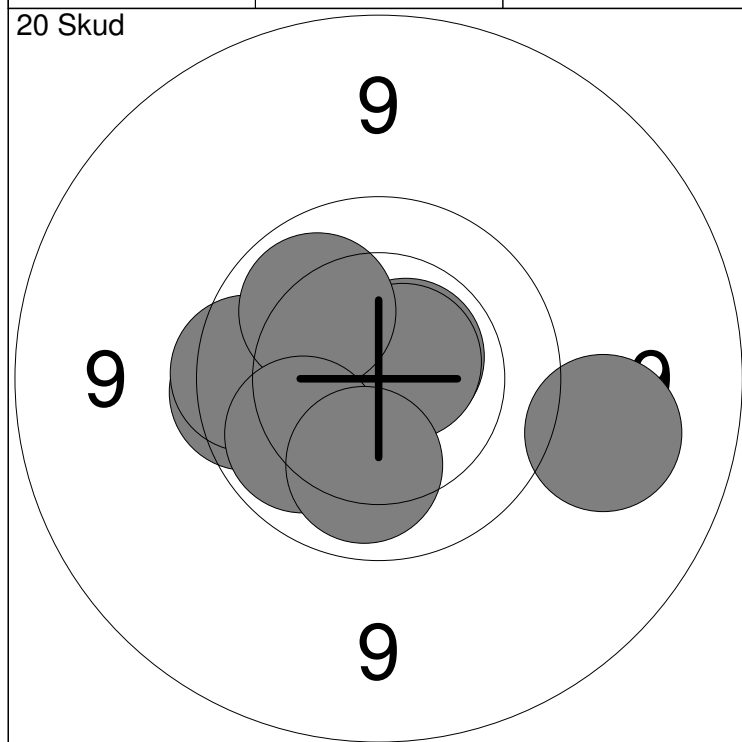


11:	10.4	↑
12:	9.8	→
13:	*10.7	↑
14:	*10.8	↖
15:	10.4	↖
16:	10.1	→
17:	*10.9	↓
18:	10.4	↙
19:	*10.7	←
20:	10.4	↖
Serie		99.0
Total		198.0



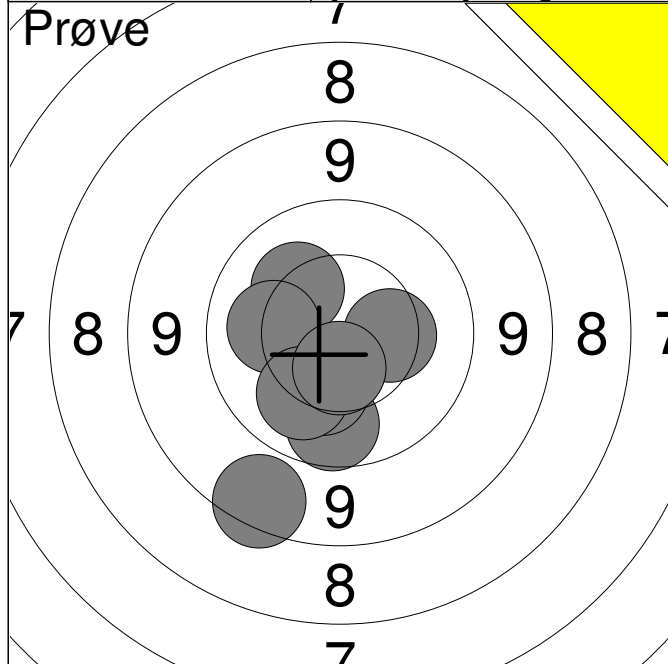
1: 9.5 ↓	6: 9.9 ←	Serie	90.0
2: 8.8 ↙	7: 9.4 ←		
3: 9.3 ↓	8: 9.7 ←	Total	0.0
4: 9.7 ↓	9: 10.3 ↘		
5: 9.2 ←	10: 9.6 →		

11: 10.4 →		Serie	10.0
		Total	0.0



1: 10.4 ↘	6: 9.8 ←	Serie	97.0
2: *10.6 ↗	7: *10.7 ↗		
3: *10.7 ↖	8: 10.1 ↖	Total	97.0
4: 9.8 ←	9: 10.0 ←		
5: 9.3 →	10: 10.1 ↓		

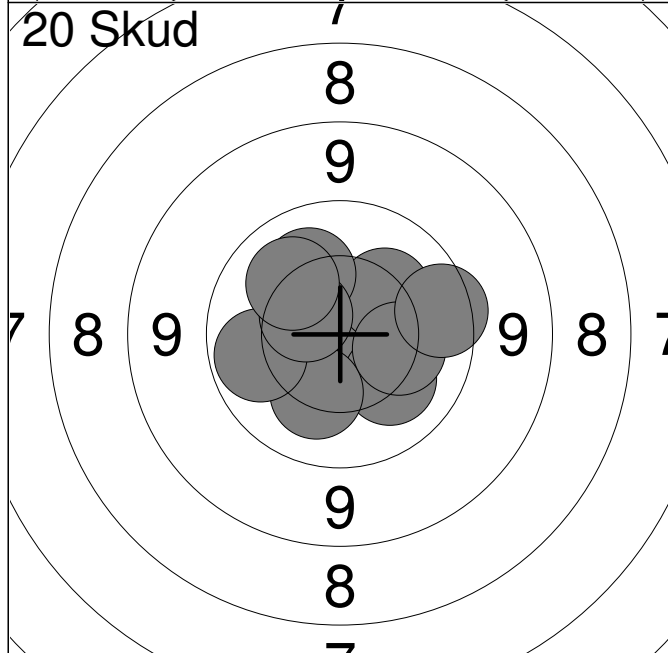
11: 10.3 ←	16: 10.4 ↖	Serie	94.0
12: 9.9 ←	17: 10.4 ←		
13: 8.9 ←	18: *10.5 ↖	Total	191.0
14: 9.3 ←	19: 10.1 ↓		
15: 9.8 →	20: 9.4 →		



1:	10.2	←
2:	10.2	↗
3:	8.7	↘
4:	10.2	←
5:	9.9	↓
6:	10.3	↘
7:	10.4	→
8:	10.1	↙
9:	10.5	↓

Serie	87.0
-------	------

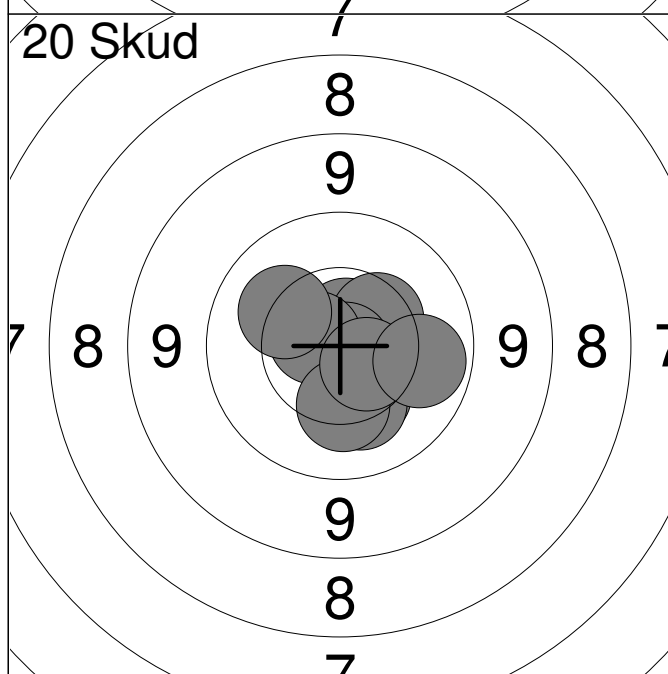
Total	0.0
-------	-----



1:	*10.7	↗
2:	10.2	↘
3:	10.3	↗
4:	10.2	↗
5:	10.2	↘
6:	10.0	←
7:	10.5	↗
8:	10.1	↗
9:	10.2	→
10:	9.7	→

Serie	99.0
-------	------

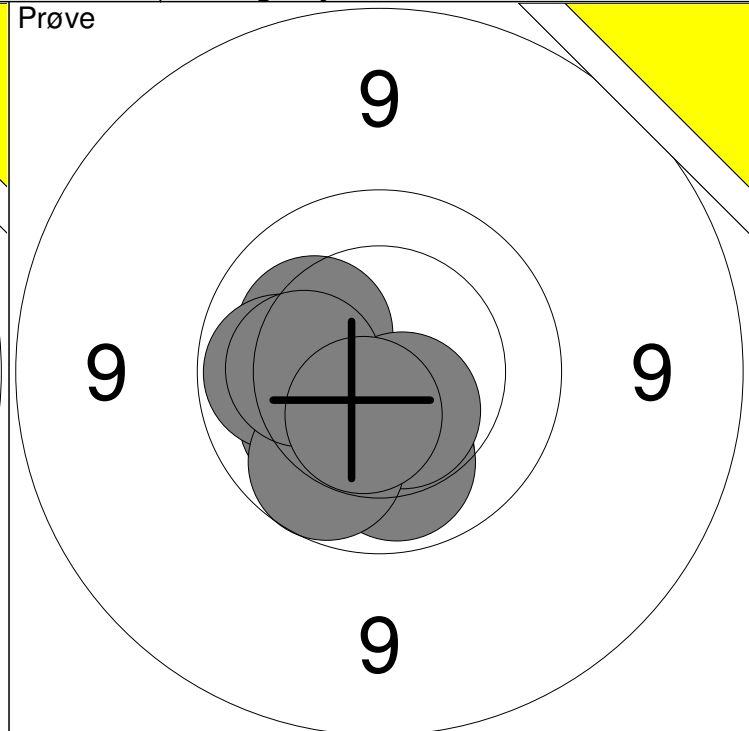
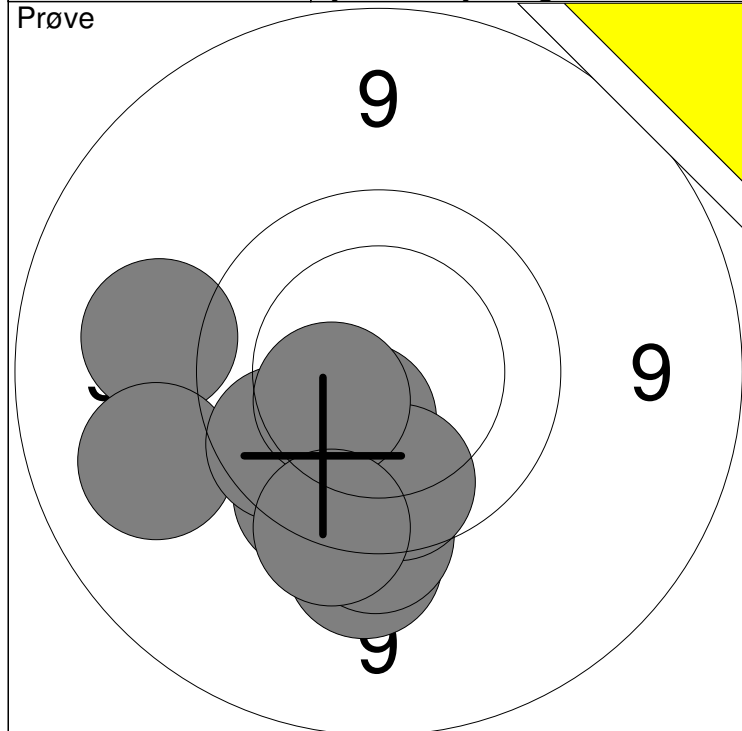
Total	99.0
-------	------



11:	*10.7	↗
12:	10.4	↗
13:	*10.9	↘
14:	10.3	↘
15:	*10.6	↗
16:	10.2	↘
17:	10.3	↘
18:	10.6	↘
19:	10.0	→
20:	10.2	↗

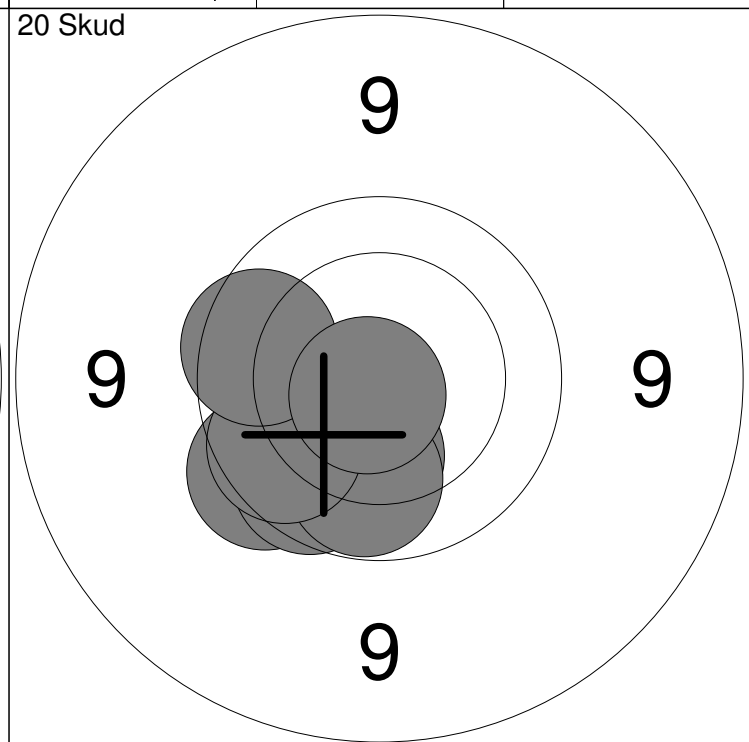
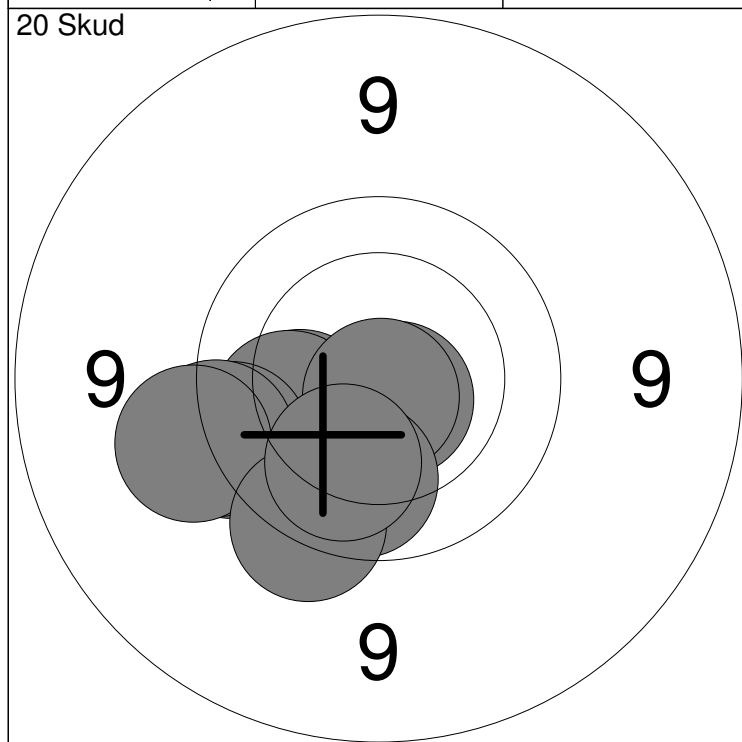
Serie	100.0
-------	-------

Total	199.0
-------	-------



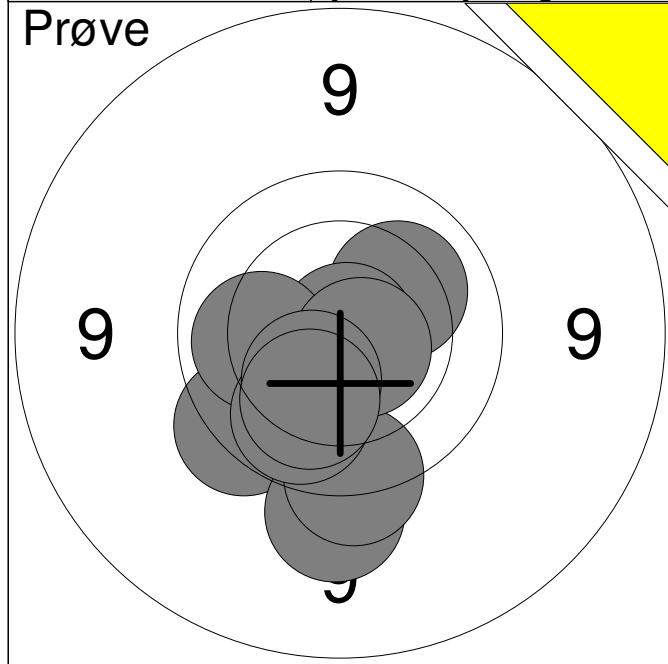
1: 9.3 ←	6: 9.6 ↓	Serie	92.0
2: 9.2 ←	7: 9.9 ↙		
3: 10.4 ↓	8: 9.9 ↓	Total	0.0
4: 9.8 ↓	9: 10.4 ↙		
5: 9.5 ↓	10: 9.6 ↓		

11: 10.2 ↙	16: 10.0 ←	Serie	99.0
12: *10.5 ↓	17: *10.5 ↓		
13: 10.1 ↓	18: 9.9 ↓	Total	0.0
14: 10.2 ↙	19: 10.2 ←		
15: 10.1 ↓	20: *10.5 ↓		

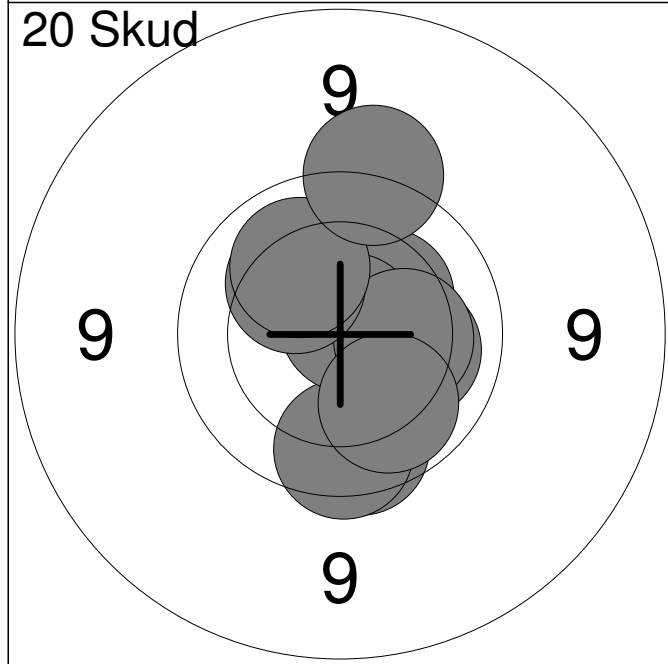


1: 10.1 ←	6: *10.8 ↓	Serie	96.0
2: 10.0 ←	7: 10.0 ↓		
3: 9.6 ←	8: 9.4 ←	Total	96.0
4: 9.6 ←	9: 9.6 ↓		
5: *10.7 ↓	10: 10.1 ↓		

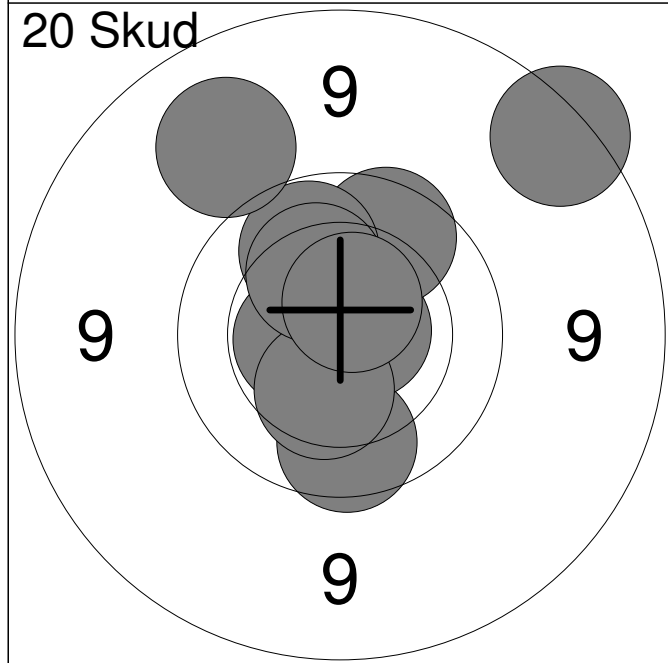
11: 10.0 ↓	16: 9.9 ↓	Serie	96.0
12: 9.7 ↙	17: 10.0 ↓		
13: 10.0 ↙	18: 9.9 ↙	Total	192.0
14: 10.1 ↓	19: 9.8 ←		
15: 10.2 ↓	20: *10.7 ↓		



1:	10.2	↗
2:	*10.9	→
3:	9.7	↙
4:	10.1	←
5:	9.4	↓
6:	9.6	↓
7:	*10.7	↘
8:	10.0	↙
9:	10.4	↙
10:	10.2	↙
Serie		97.0
Total		0.0

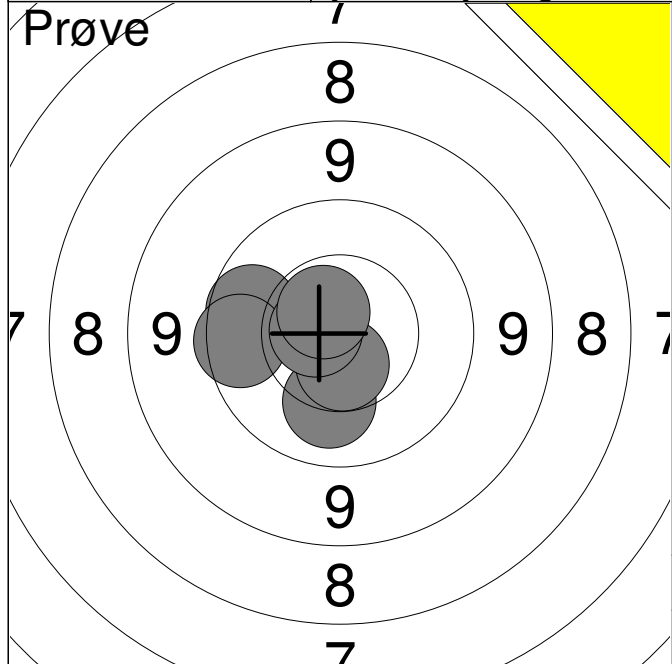


1:	10.3	↗
2:	10.2	→
3:	9.8	↓
4:	9.8	↓
5:	*10.8	↗
6:	10.3	→
7:	10.0	↙
8:	10.2	↗
9:	10.1	↗
10:	9.5	↑
Serie		97.0
Total		97.0

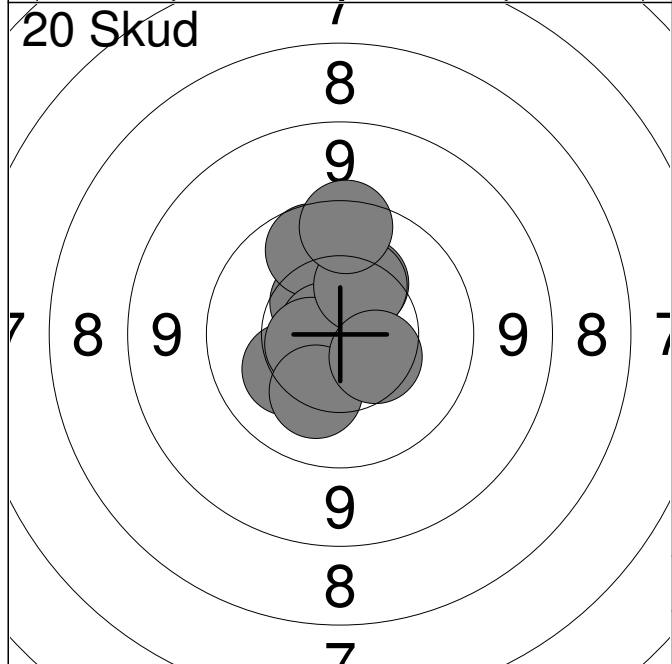


11:	9.9	↓
12:	*10.7	→
13:	*10.5	←
14:	8.8	↗
15:	10.3	↓
16:	9.9	↗
17:	10.0	↑
18:	10.2	↑
19:	9.2	↗
20:	*10.6	↑
Serie		95.0
Total		192.0

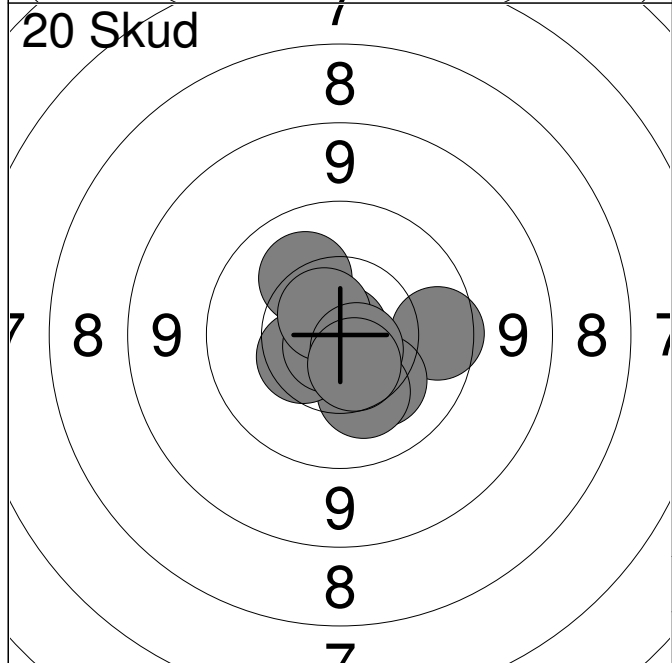
Hold	Skive	Nikolaj Ringgård		
6	1	Vester Han Herred Skytteforening MB2		MB2
15m	Jyllandsskydning		Aalborg Skyttekreds	
Prøve		1:	9.5	←
		2:	10.5	↙
		3:	*10.7	→
		4:	*10.7	↑
		5:	9.7	←
		6:	10.2	→
		7:	10.4	→
		8:	10.2	↖
		9:	9.7	↙
		Serie		87.0
Total		0.0		
20 Skud		1:	*10.7	↘
		2:	10.0	→
		3:	9.9	↙
		4:	10.5	←
		5:	10.0	↙
		6:	*10.7	↙
		7:	10.4	↘
		8:	9.8	↙
		9:	*10.7	↘
		10:	9.8	↗
Serie		97.0		
Total		97.0		
20 Skud		11:	10.1	↙
		12:	10.4	↘
		13:	10.4	↘
		14:	10.4	↗
		15:	*10.7	↗
		16:	10.2	↘
		17:	10.2	↘
		18:	10.2	↙
		19:	9.9	↙
		20:	10.2	→
Serie		99.0		
Total		196.0		



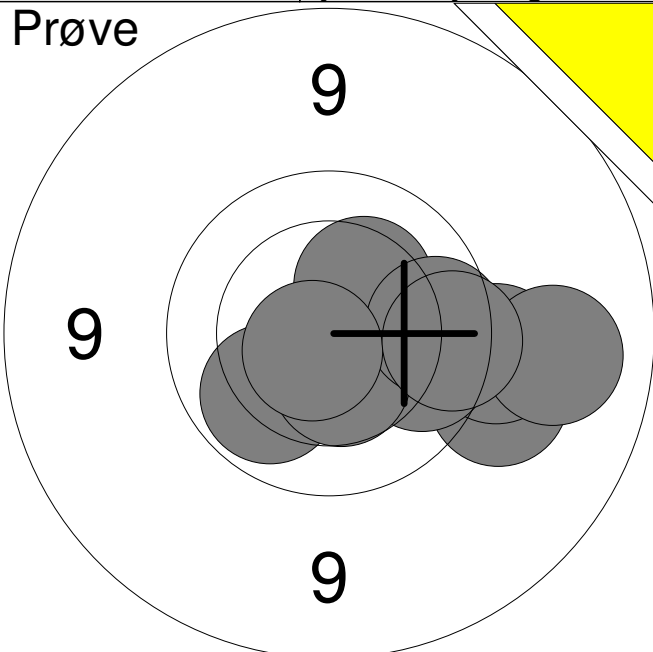
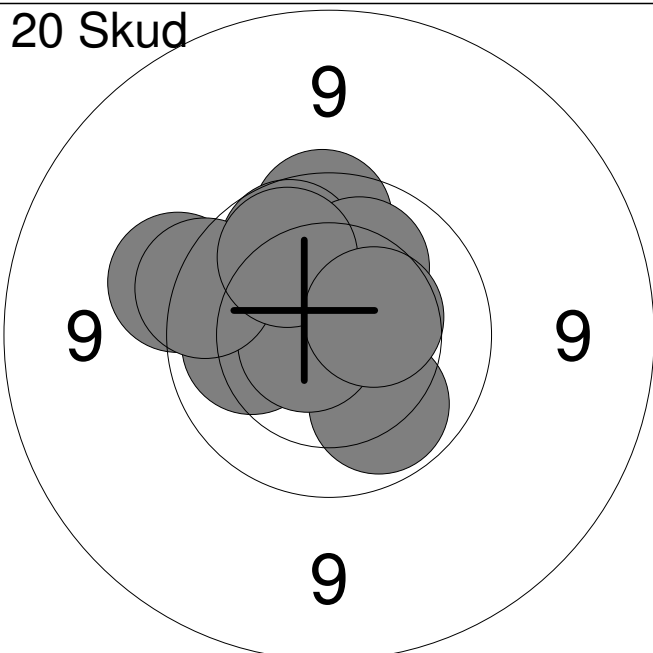
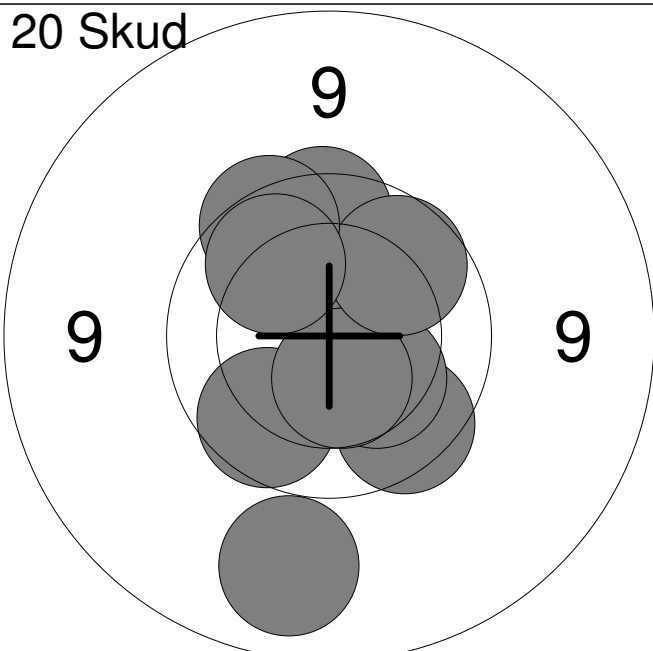
1:	9.9	←
2:	10.1	↓
3:	*10.6	↓
4:	9.8	←
5:	*10.7	←
6:	*10.6	↗
Serie		58.0
Total		0.0

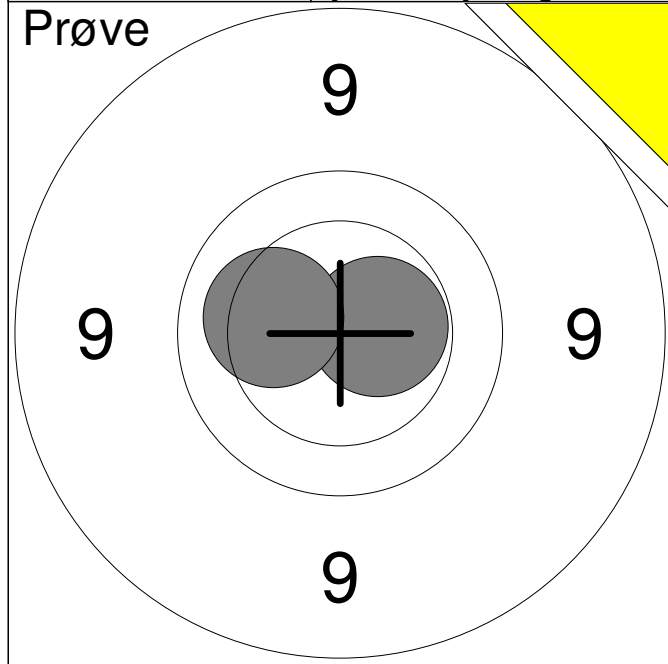


1:	10.2	↙
2:	10.5	↗
3:	9.9	↗
4:	*10.8	↙
5:	10.3	↗
6:	*10.6	↙
7:	10.3	↗
8:	10.2	↓
9:	9.7	↑
10:	10.5	↘
Serie		98.0
Total		98.0

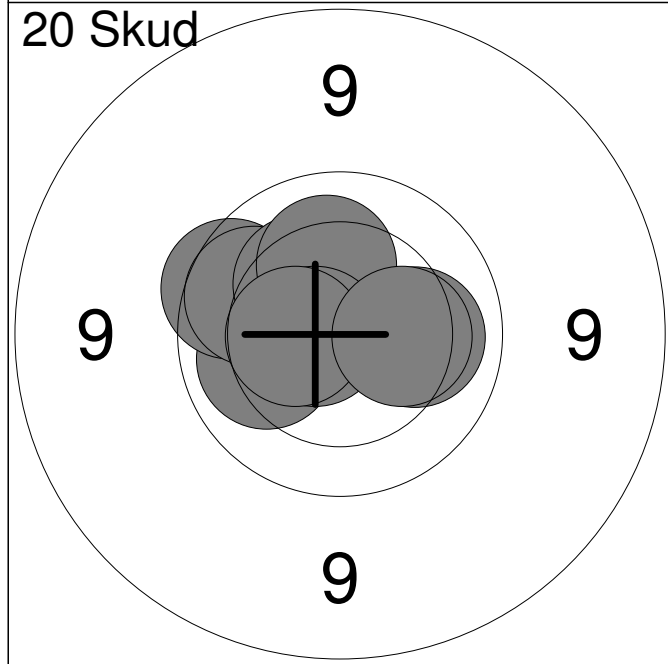


11:	9.8	→
12:	10.2	↗
13:	*10.9	↗
14:	10.2	↓
15:	10.2	↓
16:	10.5	↙
17:	*10.8	↙
18:	*10.6	↗
19:	*10.7	↓
20:	10.6	↓
Serie		99.0
Total		197.0

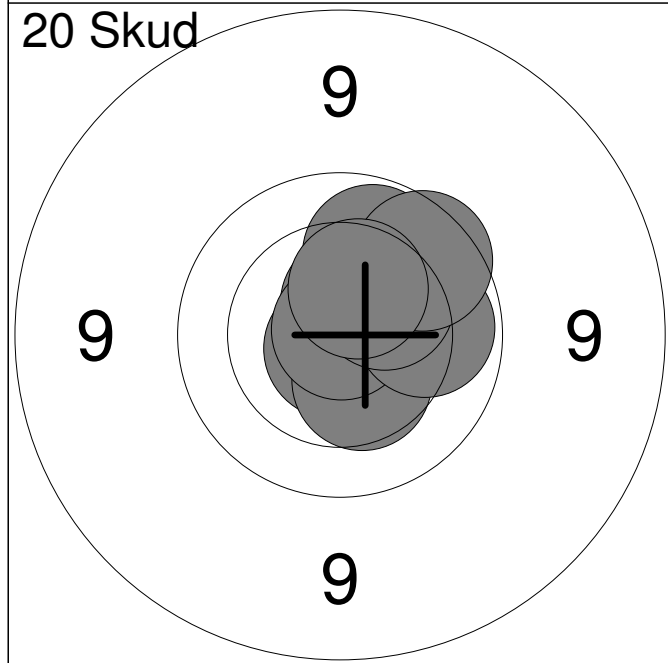
Hold	Skive	Lea Larsen	
6	3		
15m	Vester Han Herred Skytteforening	MB3	MB3
	Jyllandsskydning	Aalborg Skyttekreds	
Prøve		1: 9.4 → 2: 9.5 → 3: 10.0 ↙ 4: 10.3 ↗ 5: 9.9 → 6: 9.1 → 7: 10.5 ↓ 8: 9.9 → 9: *10.7 ↙ 10: 9.8 →	
		Serie	94.0
		Total	0.0
20 Skud		1: 10.1 ← 2: 9.8 ↑ 3: 10.0 ↓ 4: *10.7 ← 5: 9.9 ↑ 6: 9.5 ← 7: 10.1 ↑ 8: 9.7 ← 9: 10.0 ↑ 10: 10.4 →	
		Serie	96.0
		Total	96.0
20 Skud		11: 9.8 ↓ 12: 10.3 ↓ 13: 9.1 ↓ 14: 10.1 ↑ 15: 9.9 ↙ 16: 9.8 ↑ 17: 10.5 ↓ 18: 9.9 ↗ 19: 9.7 ↗ 20: 10.0 ↗	
		Serie	94.0
		Total	190.0



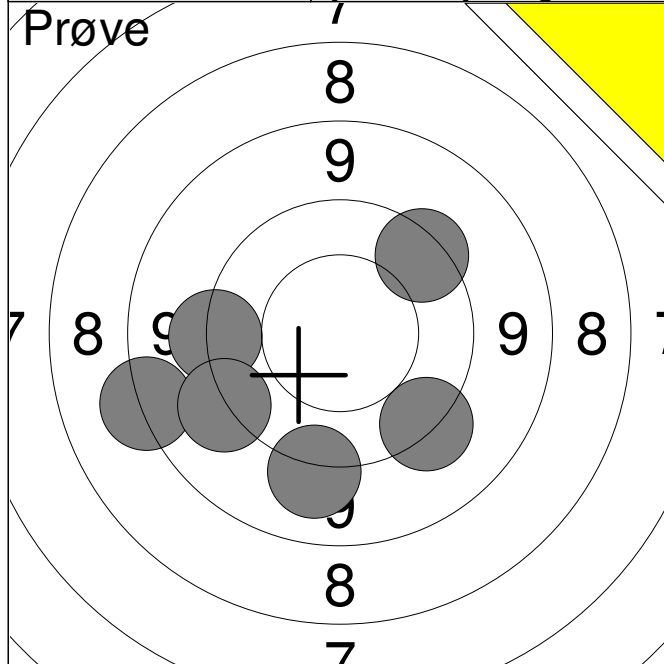
	1:	*10.5	→
	2:	10.2	←
Serie			20.0
Total			0.0



	1:	10.1	←
	2:	9.8	↖
	3:	10.3	↗
	4:	9.9	↖
	5:	10.3	↗
	6:	10.2	↑
	7:	*10.7	←
	8:	10.5	←
	9:	10.1	→
	10:	10.3	→
Serie			98.0
Total			98.0

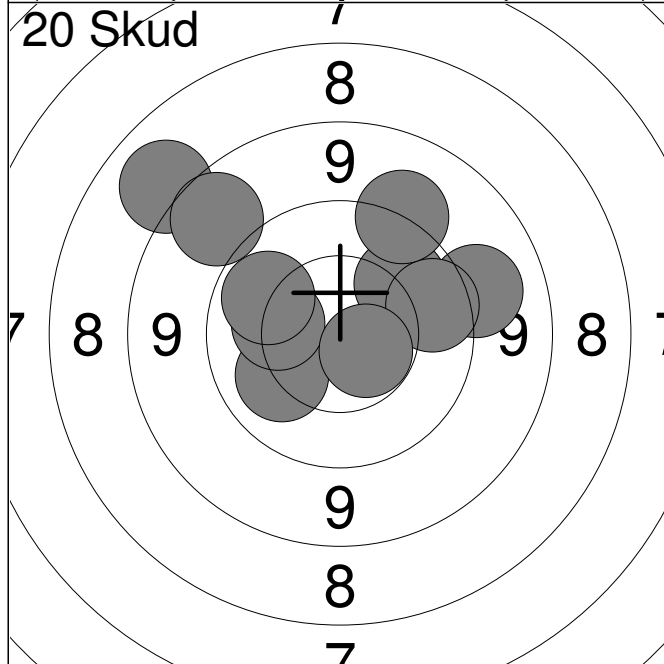


	11:	*10.6	↑
	12:	*10.6	↗
	13:	10.0	↑
	14:	*10.8	↙
	15:	10.4	↘
	16:	*10.9	↑
	17:	10.0	→
	18:	10.3	↗
	19:	9.8	↗
	20:	10.4	↑
Serie			99.0
Total			197.0



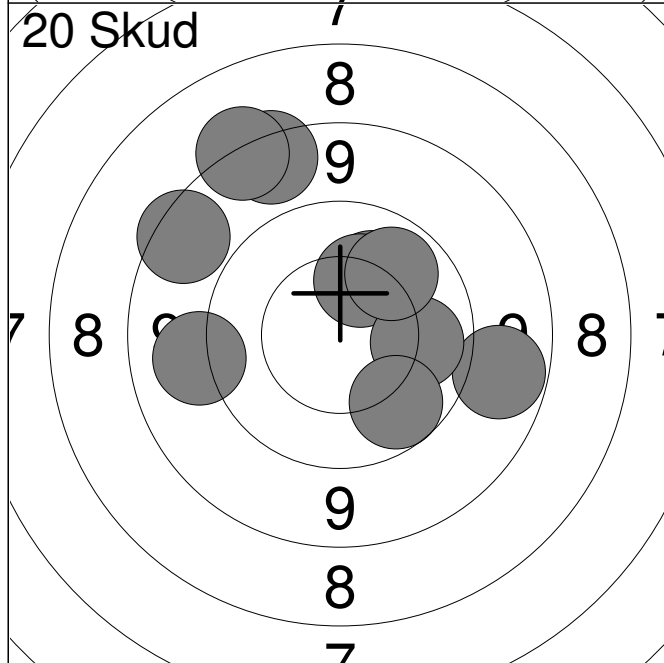
1:	8.4	←
2:	9.3	↓
3:	9.5	←
4:	9.6	↗
5:	9.3	←
6:	9.5	↓

Serie	53.0
Total	0.0



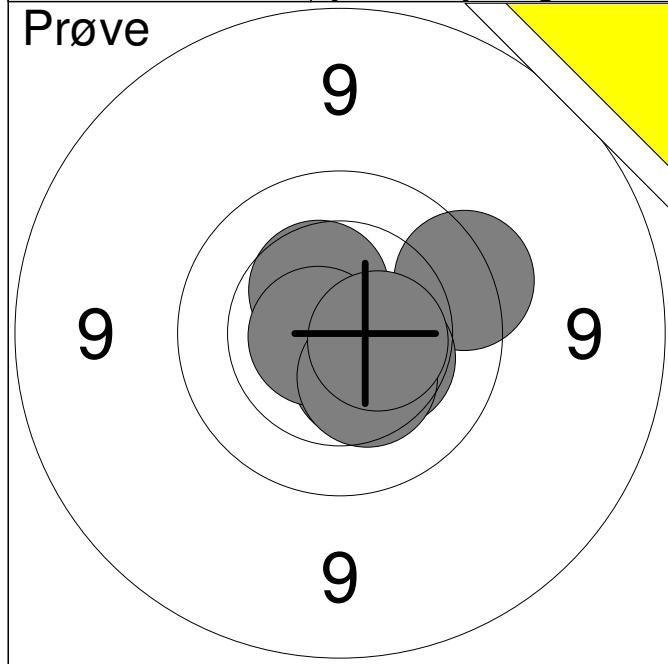
1:	10.1	↙
2:	10.2	←
3:	9.2	→
4:	8.2	↗
5:	10.0	↗
6:	8.9	↗
7:	10.0	↗
8:	9.8	→
9:	*10.6	↘
10:	9.4	↗

Serie	93.0
Total	93.0

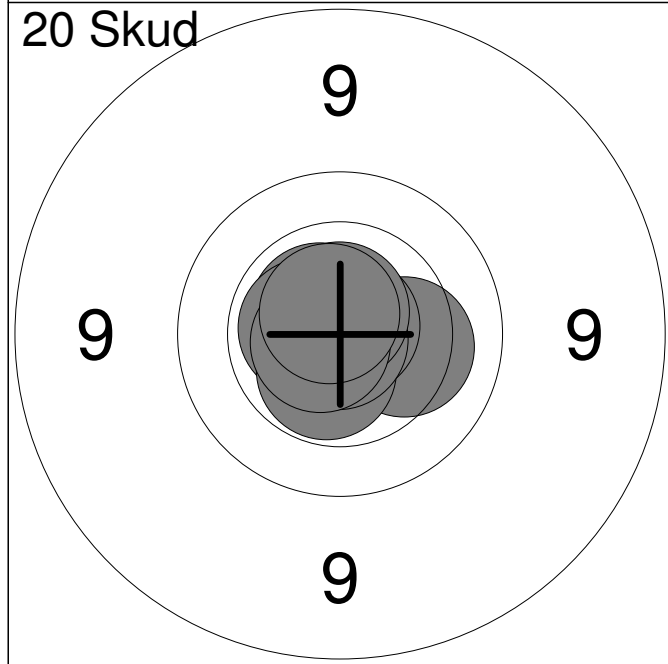


11:	9.0	→
12:	10.2	↗
13:	10.3	↗
14:	8.6	↗
15:	10.0	→
16:	10.0	↗
17:	9.2	←
18:	8.7	↗
19:	9.9	↓
20:	8.4	↗

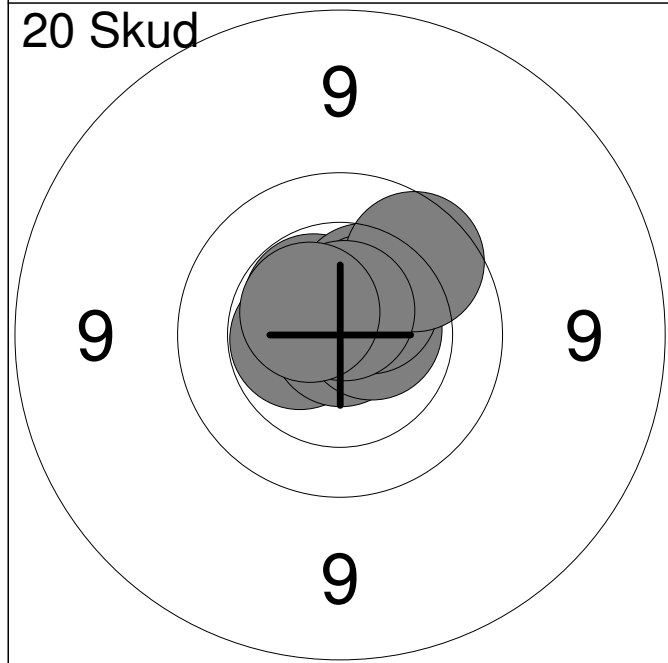
Serie	91.0
Total	184.0



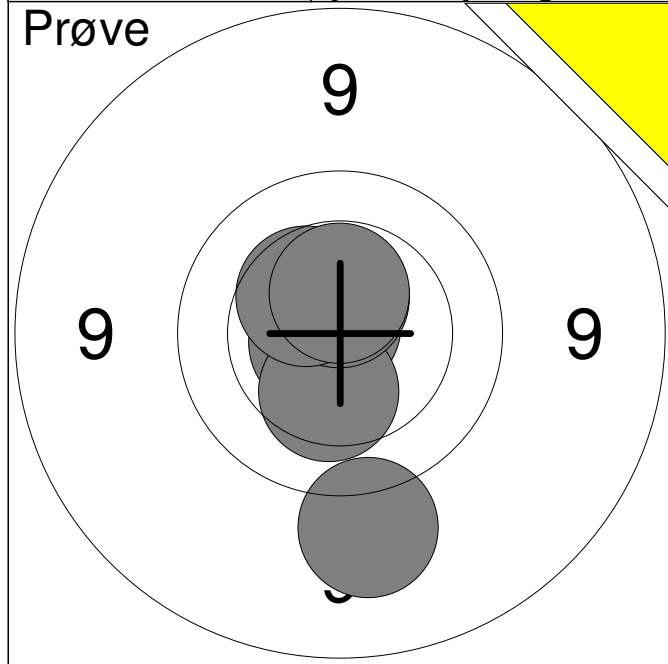
1:	9.7	↗
2:	10.4	↗
3:	10.4	↘
4:	10.5	↘
5:	*10.7	↖
6:	10.4	↘
7:	*10.5	↘
Serie		69.0
Total		0.0



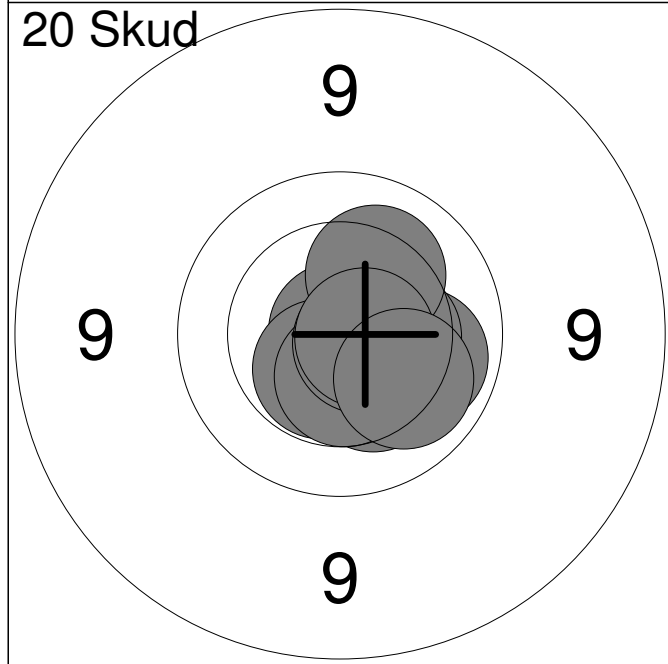
1:	*10.6	↗
2:	*10.8	↖
3:	10.2	↘
4:	*10.6	↖
5:	*10.8	↗
6:	*10.5	↘
7:	*10.9	↘
8:	*10.7	↖
9:	*10.7	↖
10:	*10.7	↗
Serie		100.0
Total		100.0



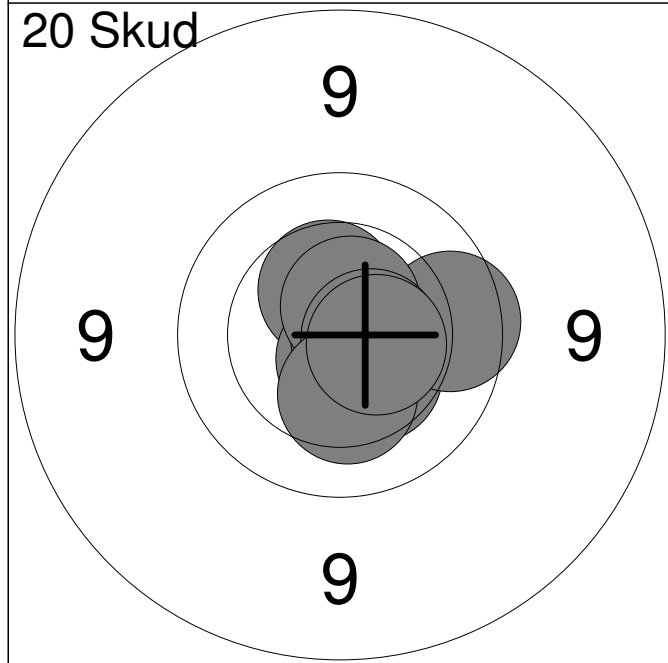
11:	*10.5	↗
12:	*10.5	↖
13:	*10.7	↗
14:	10.4	↗
15:	*10.9	↘
16:	*10.6	↘
17:	10.5	↗
18:	9.9	↗
19:	*10.7	↖
20:	*10.5	↖
Serie		99.0
Total		199.0



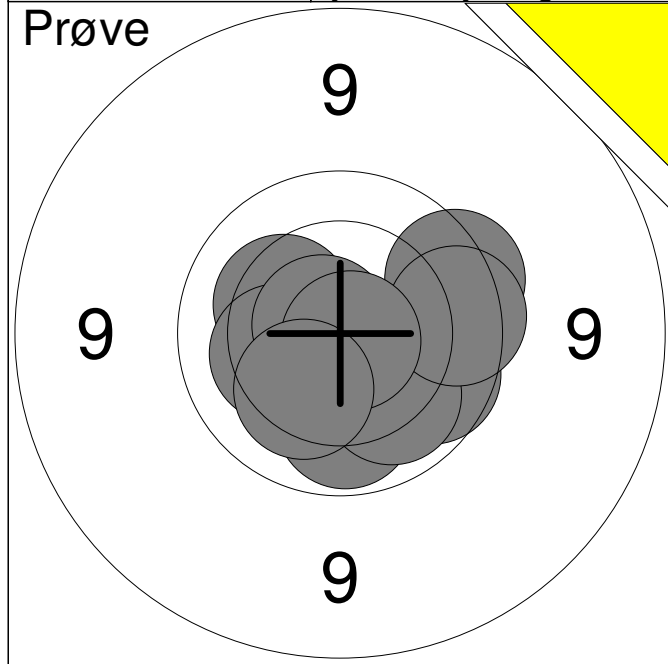
1:	9.3	↓
2:	*10.7	↙
3:	*10.8	↗
4:	10.3	↓
5:	*10.6	↑
6:	10.4	↗
7:	*10.5	↑
Serie		69.0
Total		0.0



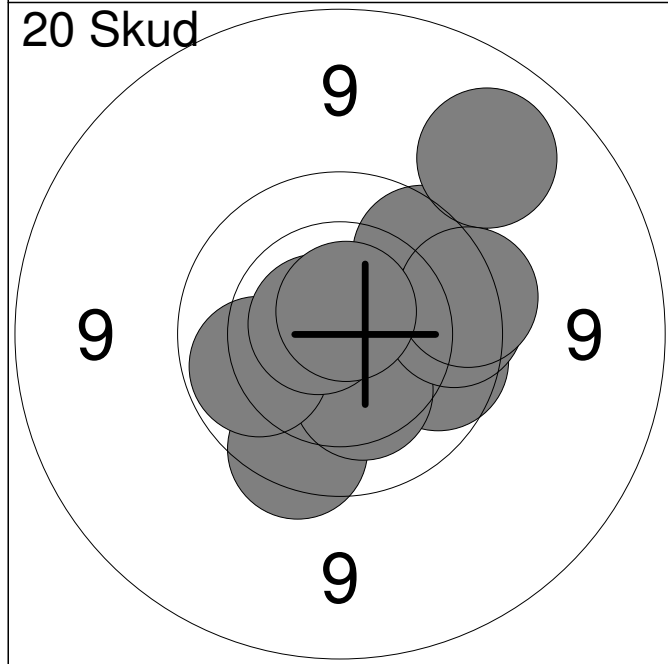
1:	10.1	→
2:	10.3	↓
3:	*10.9	↗
4:	10.4	→
5:	*10.5	↓
6:	10.5	↓
7:	10.2	↗
8:	*10.7	→
9:	*10.7	→
10:	10.1	↓
Serie		100.0
Total		100.0



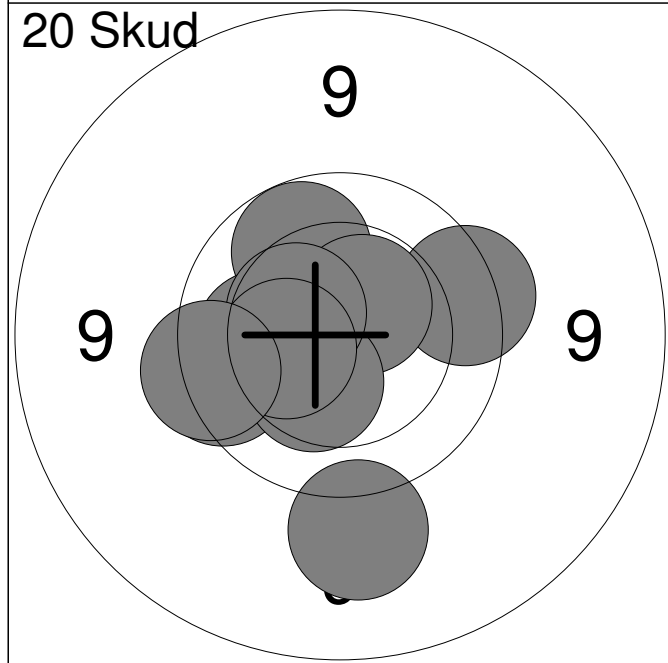
11:	10.4	↓
12:	10.4	↑
13:	9.8	→
14:	*10.8	↓
15:	*10.7	↓
16:	*10.7	→
17:	*10.6	↑
18:	*10.6	→
19:	10.3	↓
20:	*10.5	→
Serie		99.0
Total		199.0



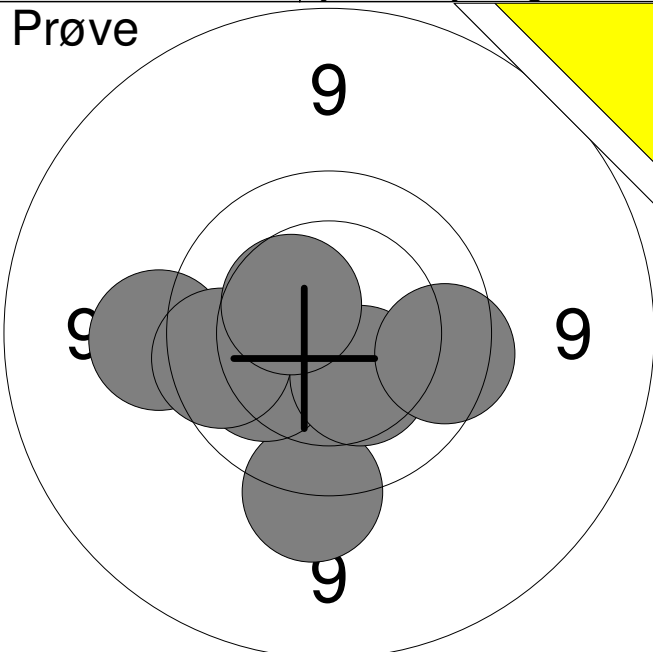
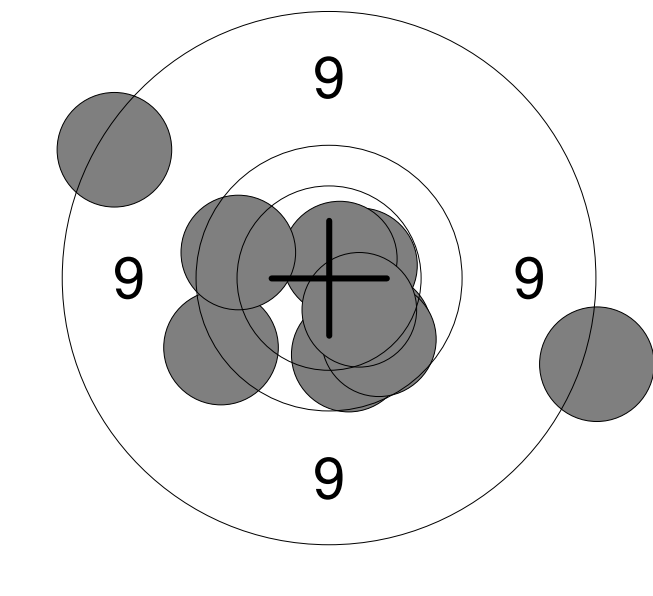
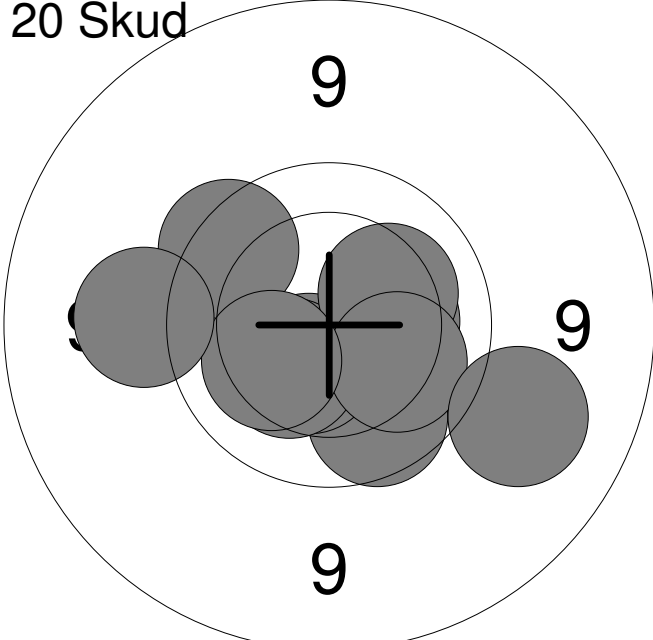
1:	9.9	↘
2:	10.3	↖
3:	10.0	↓
4:	10.3	↙
5:	9.7	↗
6:	10.1	↓
7:	*10.7	↖
8:	9.8	→
9:	*10.8	↘
10:	10.2	↙
Serie		97.0
Total		0.0

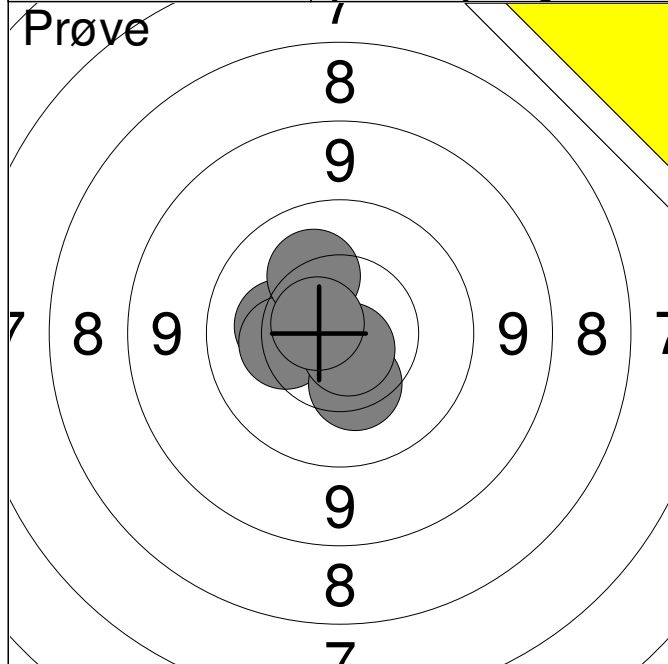


1:	9.8	↓
2:	9.9	→
3:	10.3	↓
4:	10.0	↙
5:	9.8	↗
6:	9.1	↗
7:	9.8	→
8:	9.7	→
9:	*10.7	↖
10:	*10.7	↑
Serie		94.0
Total		94.0

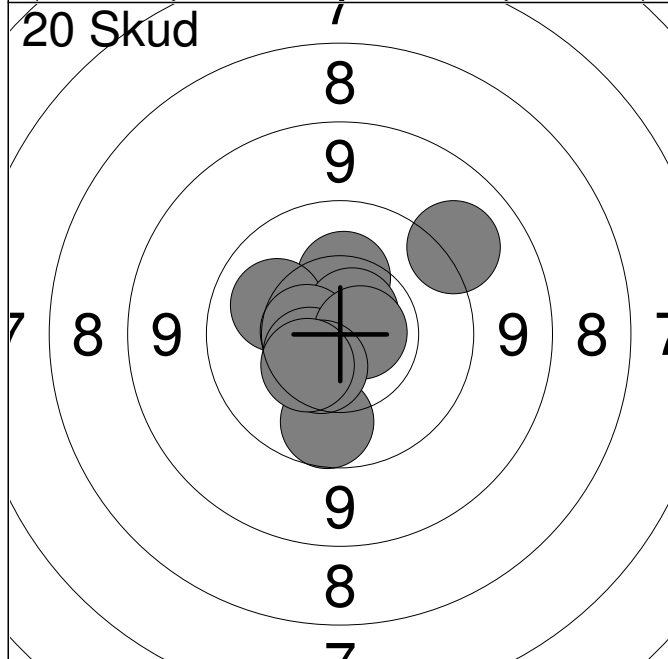


11:	9.8	↙
12:	9.7	→
13:	9.3	↓
14:	10.0	↑
15:	*10.5	↗
16:	10.4	↘
17:	10.1	↙
18:	10.4	↖
19:	10.3	↙
20:	9.7	↙
Serie		96.0
Total		190.0

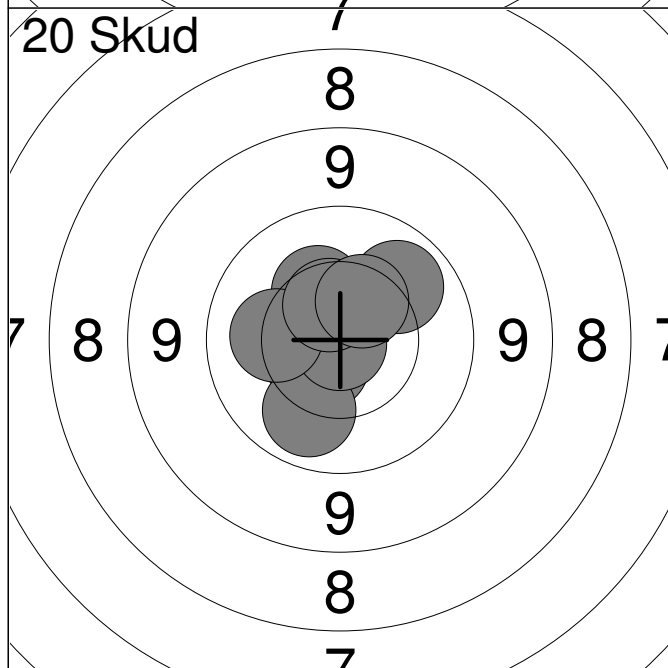
Hold 6	Skive 9	Kurt Pedersen		
15m	Hobro Egnens Skytteforening		MÅ3	
Jyllandsskydning		Aalborg Skyttekreds		
Prøve 		1: 9.5 ↓ 2: 10.1 ↙ 3: 9.5 ← 4: 10.4 ↓ 5: 9.8 ← 6: 9.8 → 7: 10.4 ↗	Serie 66.0 Total 0.0	
20 Skud 		1: 10.0 ↓ 2: 8.6 → 3: 9.9 ↓ 4: *10.5 → 5: 9.6 ← 6: 8.7 ↗ 7: 9.9 ↓ 8: *10.7 ↗ 9: 9.8 ← 10: 10.4 ↓	Serie 92.0 Total 92.0	
20 Skud 		11: 9.9 ↓ 12: 10.5 ↓ 13: 10.3 ↙ 14: 10.3 → 15: 9.7 ↗ 16: 10.2 ↗ 17: 10.1 ↓ 18: 10.2 ← 19: 9.2 ↓ 20: 9.4 ←	Serie 96.0 Total 188.0	



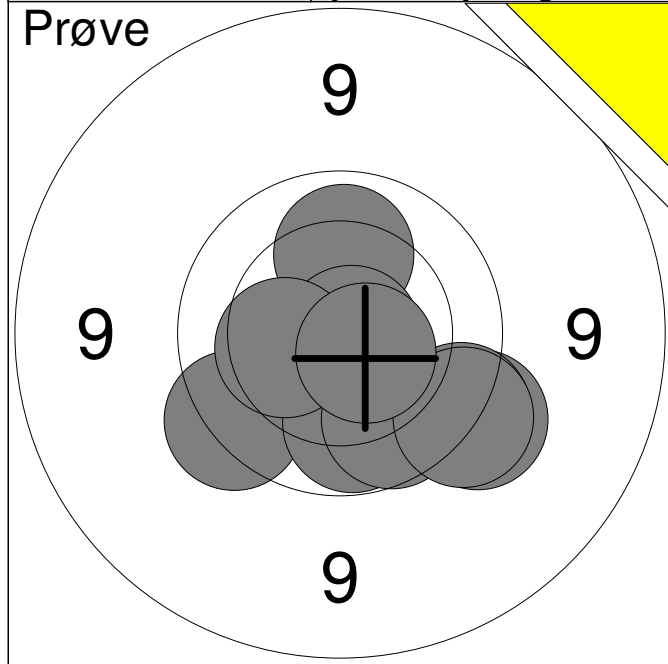
	1:	10.3	←
	2:	10.3	←
	3:	10.3	↓
	4:	*10.7	↓
	5:	10.2	↑
	6:	*10.7	↖
Serie			60.0
Total			0.0



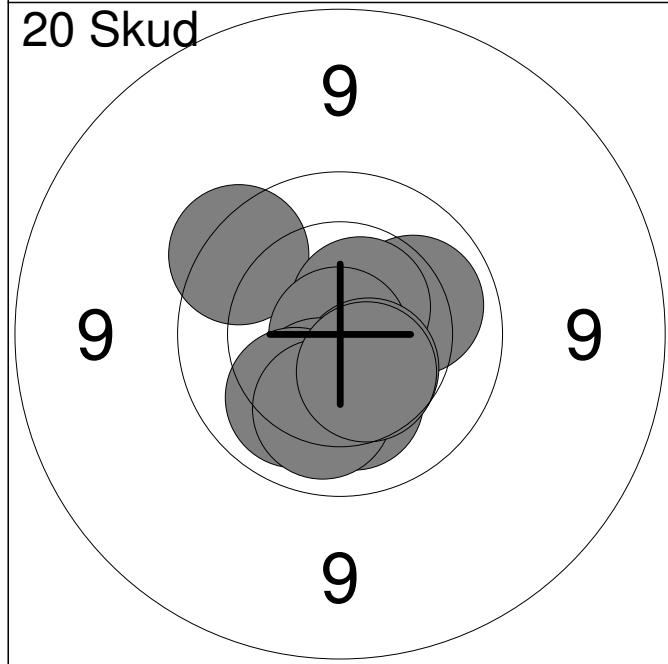
	1:	10.3	↑
	2:	9.2	↗
	3:	10.1	↖
	4:	*10.7	↗
	5:	10.6	←
	6:	9.9	↓
	7:	10.5	↖
	8:	*10.7	→
	9:	10.5	↙
	10:	10.4	↙
Serie			98.0
Total			98.0



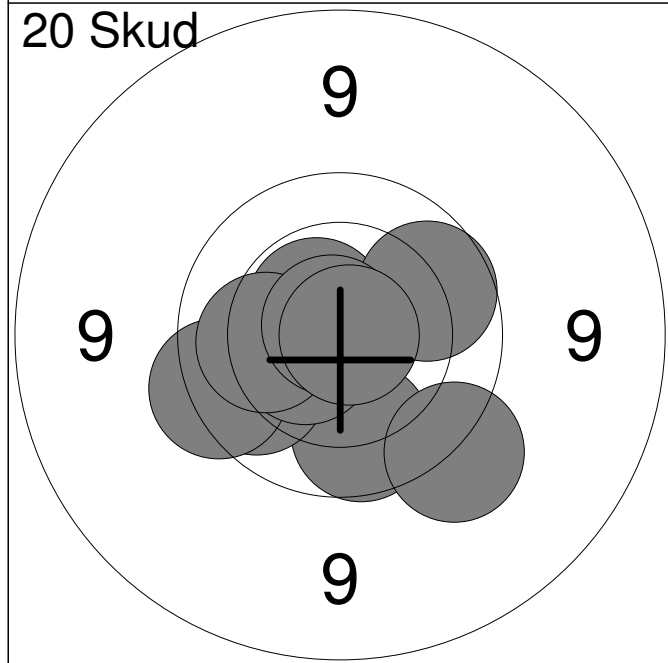
	11:	10.5	←
	12:	10.5	↑
	13:	10.1	↗
	14:	*10.6	↙
	15:	10.1	↙
	16:	*10.9	↓
	17:	10.3	↑
	18:	10.2	←
	19:	10.5	↑
	20:	10.4	↗
Serie			100.0
Total			198.0



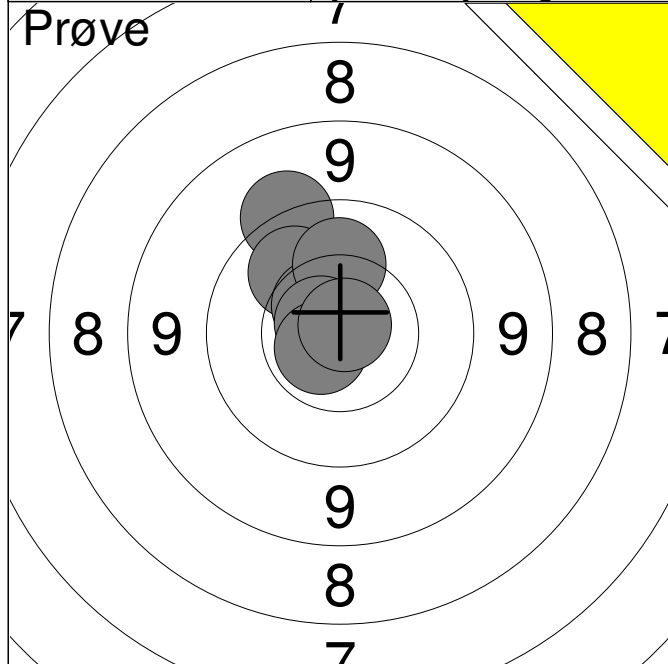
1:	10.1	↑
2:	9.7	↙
3:	10.0	↓
4:	*10.8	→
5:	9.5	↘
6:	9.6	↘
7:	10.3	←
8:	9.9	↘
9:	9.6	↘
10:	*10.6	↘
Serie		95.0
Total		0.0



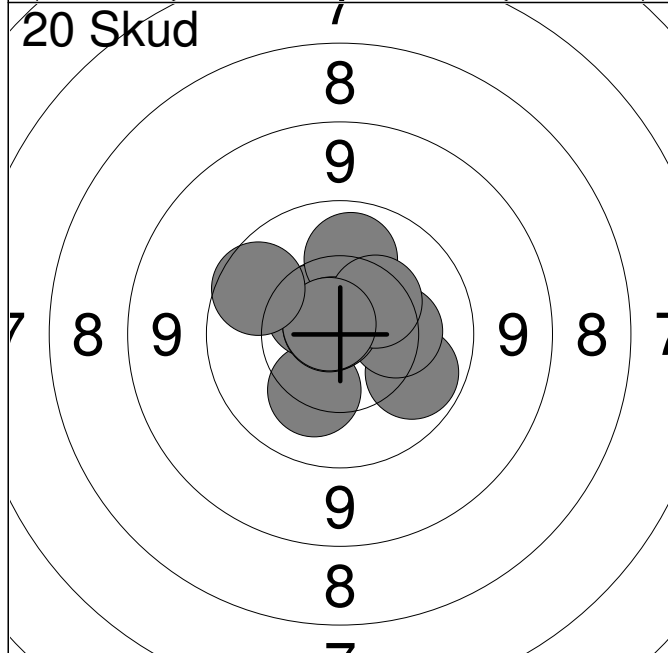
1:	9.7	↗
2:	10.2	↓
3:	10.1	→
4:	*10.6	↗
5:	*10.9	↘
6:	10.5	↘
7:	10.3	↘
8:	10.1	↘
9:	10.1	↘
10:	10.5	↘
Serie		99.0
Total		99.0



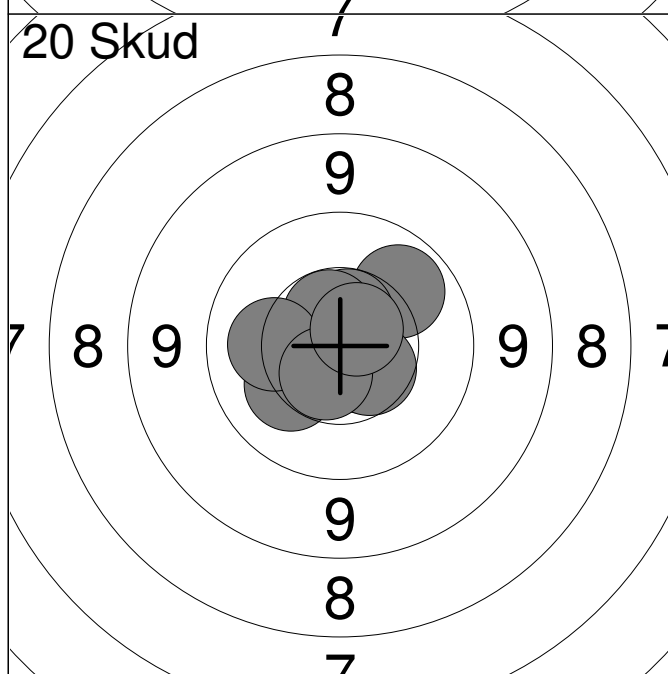
11:	9.9	↓
12:	9.9	↙
13:	9.7	↙
14:	*10.6	↗
15:	9.5	↘
16:	*10.5	↙
17:	10.1	←
18:	9.9	→
19:	*10.8	↗
20:	*10.8	→
Serie		95.0
Total		194.0



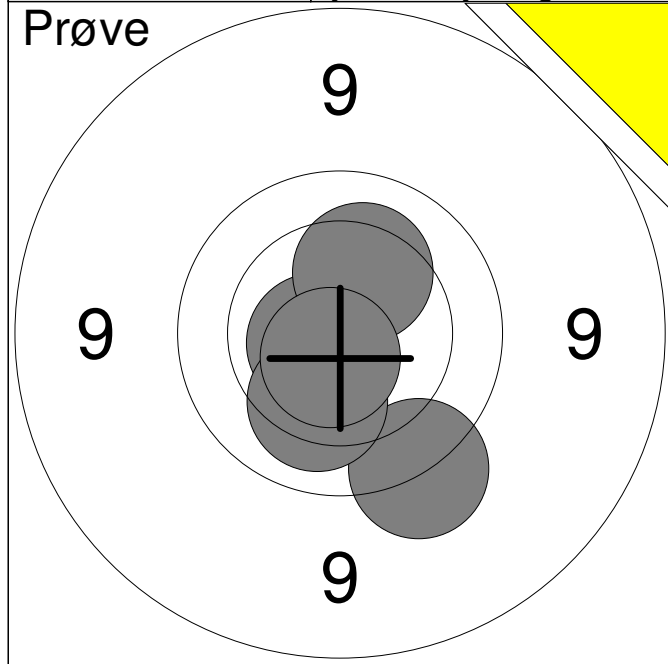
1:	9.4	↗
2:	10.1	↗
3:	*10.8	↗
4:	10.5	↗
5:	10.2	↗
6:	*10.7	↖
7:	*10.7	↙
8:	*10.8	↗
Serie		79.0
Total		0.0



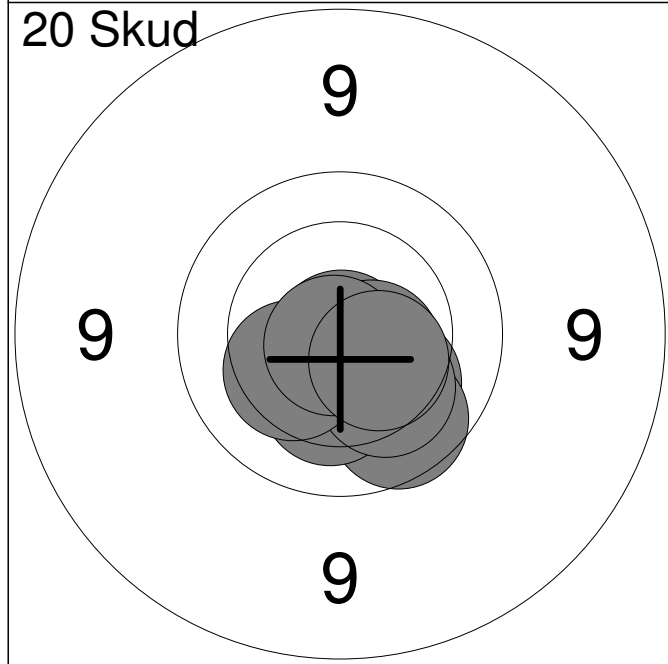
1:	10.2	↘
2:	10.0	↘
3:	10.3	→
4:	10.5	↗
5:	*10.8	↗
6:	10.1	↗
7:	*10.8	↗
8:	10.4	↗
9:	*10.8	↗
10:	9.9	↗
Serie		99.0
Total		99.0



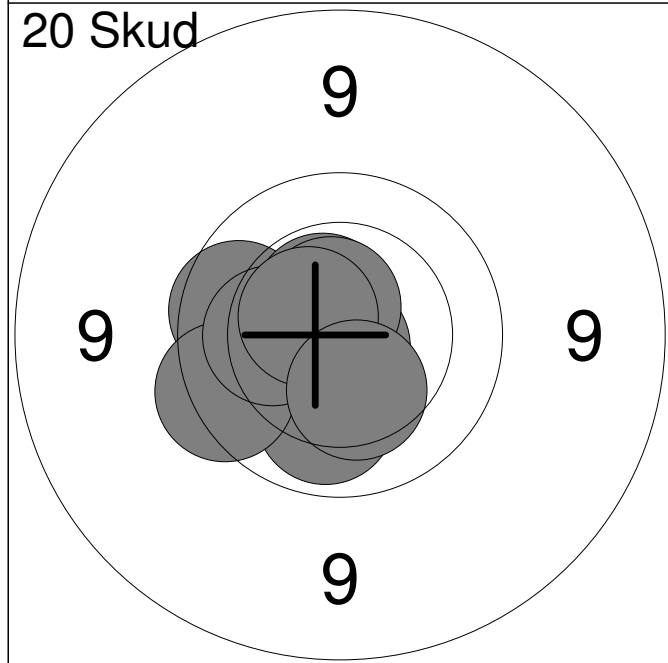
11:	10.0	↗
12:	10.2	↙
13:	*10.7	←
14:	*10.6	↘
15:	*10.6	↗
16:	10.5	↘
17:	*10.6	↗
18:	10.2	←
19:	*10.6	↘
20:	*10.7	↗
Serie		100.0
Total		199.0



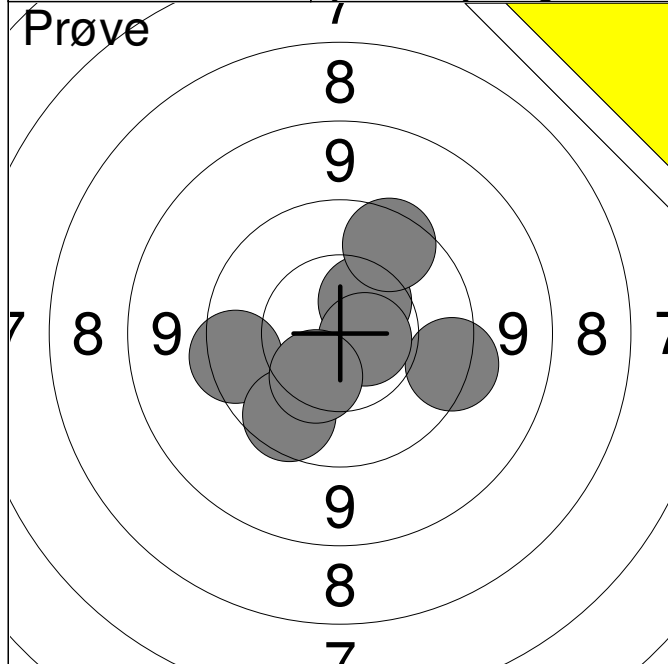
1:	9.6	↓
2:	*10.7	←
3:	10.2	↑
4:	10.2	↓
5:	*10.7	↓
Serie		49.0
Total		0.0



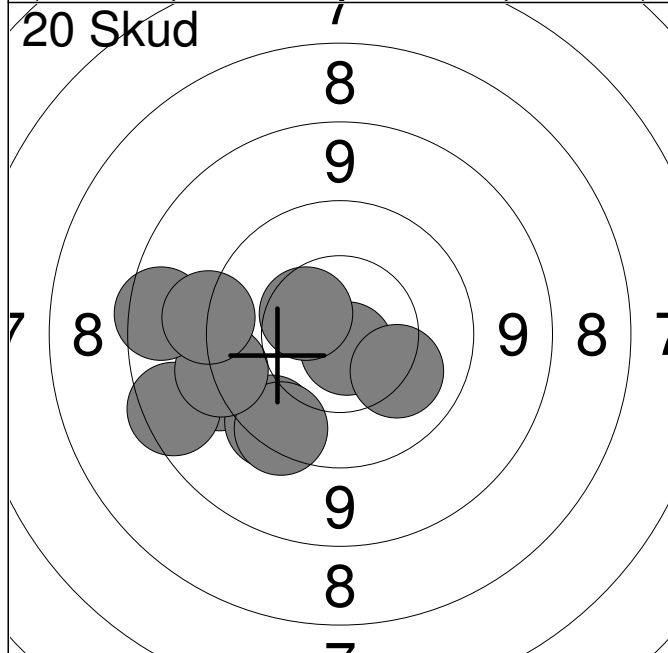
1:	*10.6	↓
2:	10.2	↓
3:	9.9	↓
4:	10.3	↓
5:	*10.9	↓
6:	10.2	↓
7:	*10.6	→
8:	10.3	←
9:	*10.8	↓
10:	10.4	↓
Serie		99.0
Total		99.0



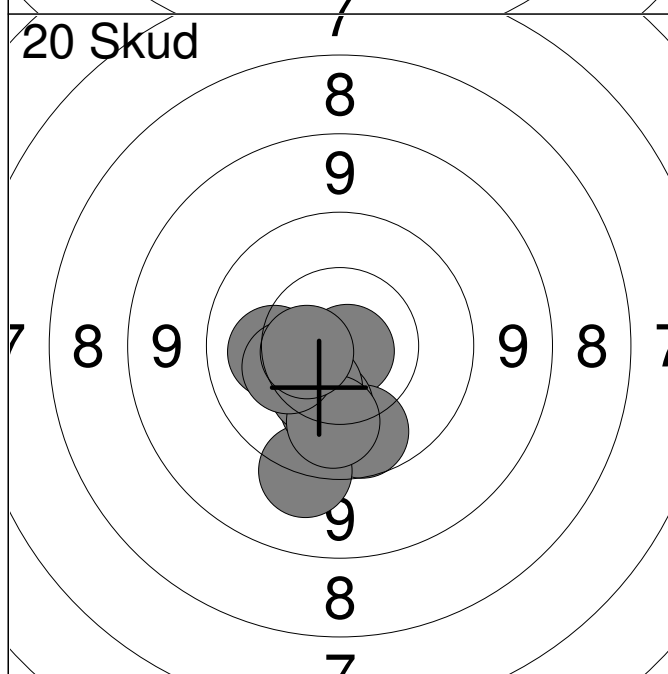
11:	10.1	↓
12:	9.9	←
13:	*10.8	↓
14:	9.7	←
15:	*10.6	↑
16:	*10.7	←
17:	*10.6	↑
18:	10.2	←
19:	*10.6	↑
20:	10.3	↓
Serie		98.0
Total		197.0



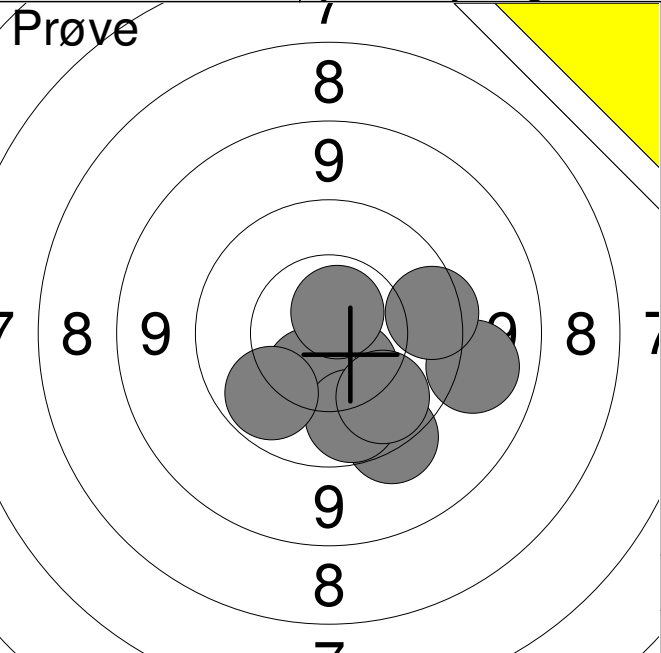
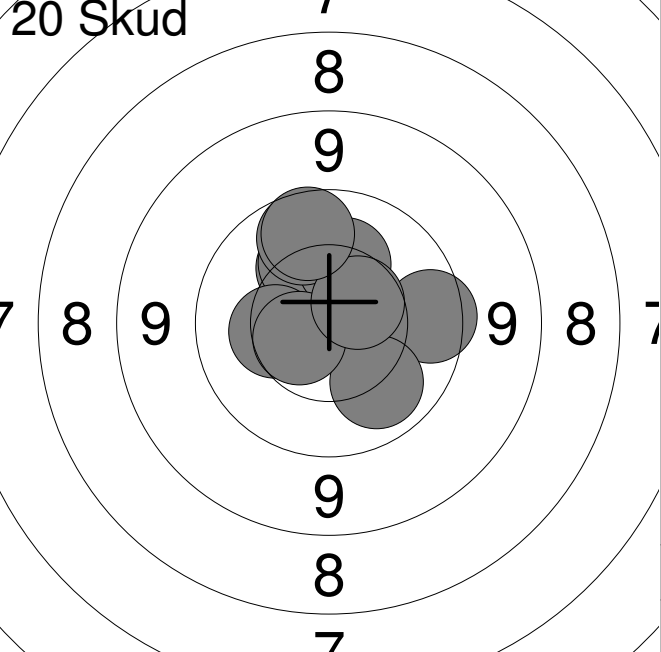
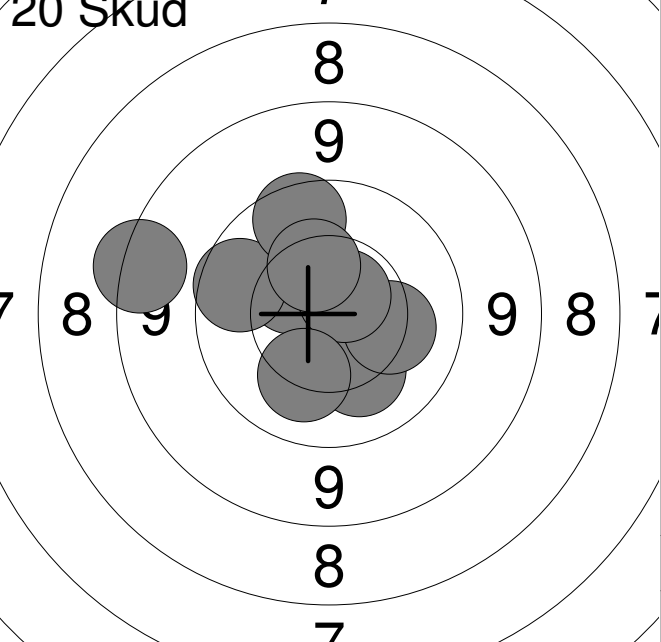
1:	10.5	↗
2:	9.8	↗
3:	9.6	→
4:	10.1	↘
5:	*10.7	→
6:	9.7	←
7:	9.8	↘
8:	10.4	↘
Serie		76.0
Total		0.0

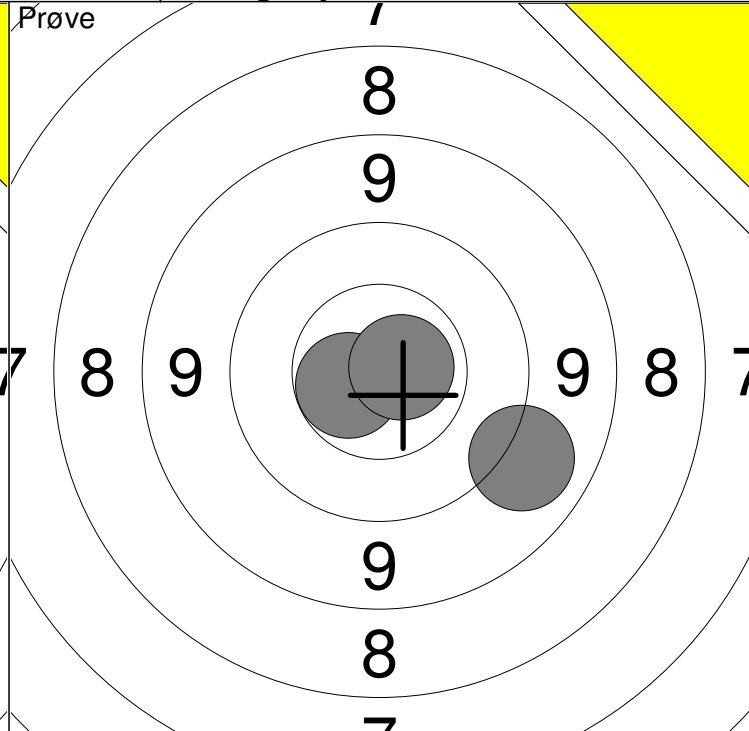
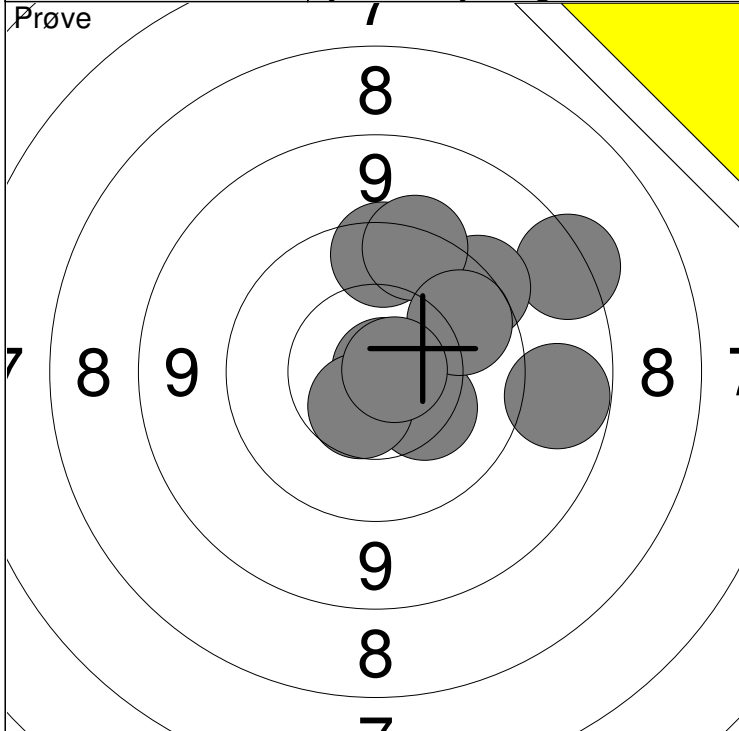


1:	9.4	←
2:	*10.8	↘
3:	9.6	↘
4:	8.7	←
5:	9.6	↘
6:	9.5	←
7:	8.8	←
8:	10.5	↗
9:	9.4	←
10:	10.2	↘
Serie		91.0
Total		91.0



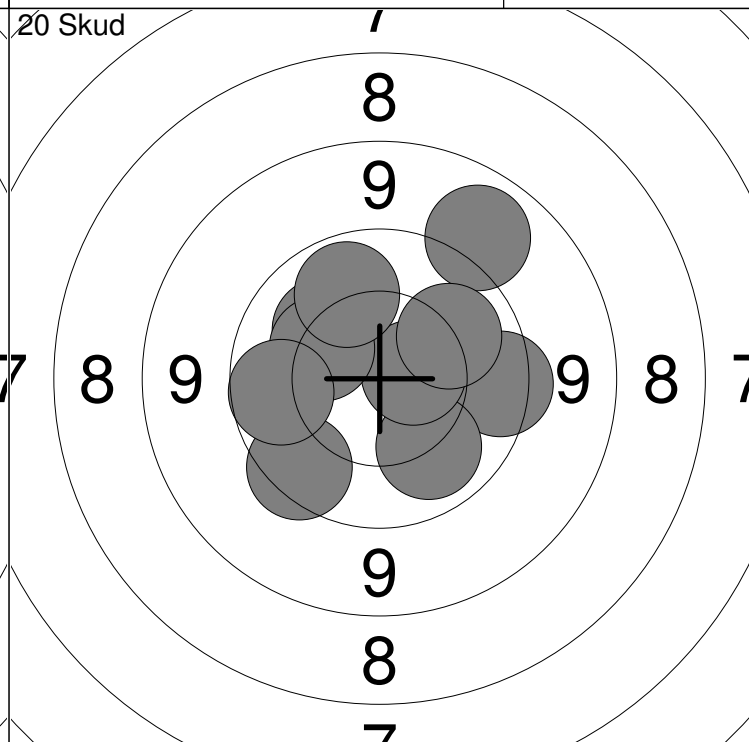
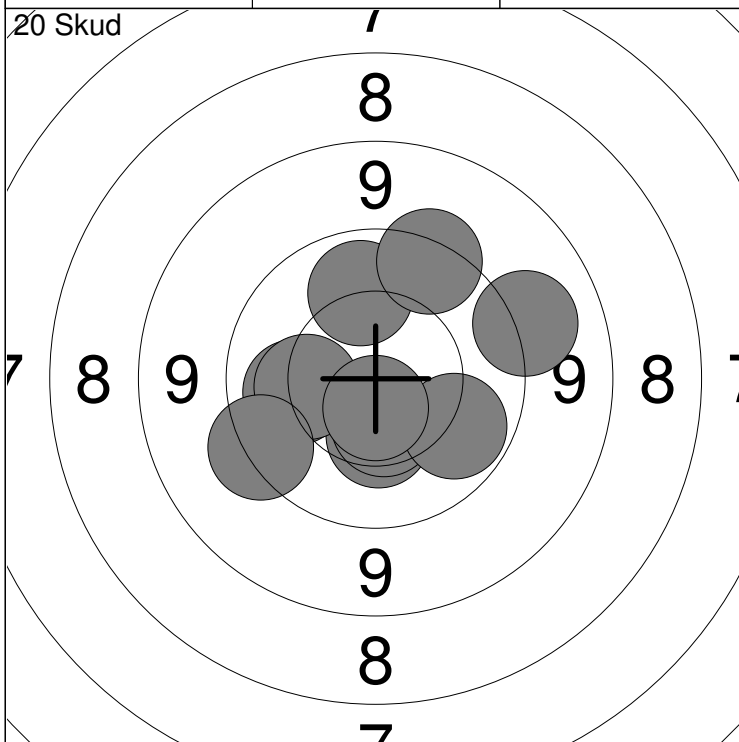
11:	*10.8	↘
12:	9.9	↘
13:	10.2	←
14:	9.4	↘
15:	10.5	←
16:	10.2	↘
17:	10.4	↘
18:	10.1	↘
19:	10.3	←
20:	10.6	←
Serie		98.0
Total		189.0

	Jyllandsskydning		Aalborg Skyttekreds																														
<p>Prøve</p> 			<table style="width:100%; border-collapse: collapse;"> <tr><td>1:</td><td style="text-align: right;">9.5</td><td style="text-align: center;">↘</td></tr> <tr><td>2:</td><td style="text-align: right;">10.5</td><td style="text-align: center;">↘</td></tr> <tr><td>3:</td><td style="text-align: right;">10.4</td><td style="text-align: center;">↘</td></tr> <tr><td>4:</td><td style="text-align: right;">9.2</td><td style="text-align: center;">→</td></tr> <tr><td>5:</td><td style="text-align: right;">9.7</td><td style="text-align: center;">→</td></tr> <tr><td>6:</td><td style="text-align: right;">10.0</td><td style="text-align: center;">↘</td></tr> <tr><td>7:</td><td style="text-align: right;">10.0</td><td style="text-align: center;">↘</td></tr> <tr><td>8:</td><td style="text-align: right;">10.0</td><td style="text-align: center;">↙</td></tr> <tr><td>9:</td><td style="text-align: right;">*10.7</td><td style="text-align: center;">↑</td></tr> </table>	1:	9.5	↘	2:	10.5	↘	3:	10.4	↘	4:	9.2	→	5:	9.7	→	6:	10.0	↘	7:	10.0	↘	8:	10.0	↙	9:	*10.7	↑			
1:	9.5	↘																															
2:	10.5	↘																															
3:	10.4	↘																															
4:	9.2	→																															
5:	9.7	→																															
6:	10.0	↘																															
7:	10.0	↘																															
8:	10.0	↙																															
9:	*10.7	↑																															
	Serie		87.0																														
	Total		0.0																														
<p>20 Skud</p> 			<table style="width:100%; border-collapse: collapse;"> <tr><td>1:</td><td style="text-align: right;">10.2</td><td style="text-align: center;">↑</td></tr> <tr><td>2:</td><td style="text-align: right;">10.2</td><td style="text-align: center;">↑</td></tr> <tr><td>3:</td><td style="text-align: right;">9.8</td><td style="text-align: center;">→</td></tr> <tr><td>4:</td><td style="text-align: right;">10.1</td><td style="text-align: center;">↘</td></tr> <tr><td>5:</td><td style="text-align: right;">10.2</td><td style="text-align: center;">↑</td></tr> <tr><td>6:</td><td style="text-align: right;">10.3</td><td style="text-align: center;">←</td></tr> <tr><td>7:</td><td style="text-align: right;">9.9</td><td style="text-align: center;">↑</td></tr> <tr><td>8:</td><td style="text-align: right;">10.6</td><td style="text-align: center;">←</td></tr> <tr><td>9:</td><td style="text-align: right;">10.5</td><td style="text-align: center;">↗</td></tr> <tr><td>10:</td><td style="text-align: right;">9.9</td><td style="text-align: center;">↑</td></tr> </table>	1:	10.2	↑	2:	10.2	↑	3:	9.8	→	4:	10.1	↘	5:	10.2	↑	6:	10.3	←	7:	9.9	↑	8:	10.6	←	9:	10.5	↗	10:	9.9	↑
1:	10.2	↑																															
2:	10.2	↑																															
3:	9.8	→																															
4:	10.1	↘																															
5:	10.2	↑																															
6:	10.3	←																															
7:	9.9	↑																															
8:	10.6	←																															
9:	10.5	↗																															
10:	9.9	↑																															
	Serie		97.0																														
	Total		97.0																														
<p>20 Skud</p> 			<table style="width:100%; border-collapse: collapse;"> <tr><td>11:</td><td style="text-align: right;">10.2</td><td style="text-align: center;">↘</td></tr> <tr><td>12:</td><td style="text-align: right;">10.2</td><td style="text-align: center;">→</td></tr> <tr><td>13:</td><td style="text-align: right;">10.5</td><td style="text-align: center;">↗</td></tr> <tr><td>14:</td><td style="text-align: right;">10.4</td><td style="text-align: center;">↗</td></tr> <tr><td>15:</td><td style="text-align: right;">*10.7</td><td style="text-align: center;">↗</td></tr> <tr><td>16:</td><td style="text-align: right;">8.6</td><td style="text-align: center;">←</td></tr> <tr><td>17:</td><td style="text-align: right;">9.9</td><td style="text-align: center;">←</td></tr> <tr><td>18:</td><td style="text-align: right;">9.8</td><td style="text-align: center;">↑</td></tr> <tr><td>19:</td><td style="text-align: right;">10.2</td><td style="text-align: center;">↘</td></tr> <tr><td>20:</td><td style="text-align: right;">10.4</td><td style="text-align: center;">↑</td></tr> </table>	11:	10.2	↘	12:	10.2	→	13:	10.5	↗	14:	10.4	↗	15:	*10.7	↗	16:	8.6	←	17:	9.9	←	18:	9.8	↑	19:	10.2	↘	20:	10.4	↑
11:	10.2	↘																															
12:	10.2	→																															
13:	10.5	↗																															
14:	10.4	↗																															
15:	*10.7	↗																															
16:	8.6	←																															
17:	9.9	←																															
18:	9.8	↑																															
19:	10.2	↘																															
20:	10.4	↑																															
	Serie		96.0																														
	Total		193.0																														



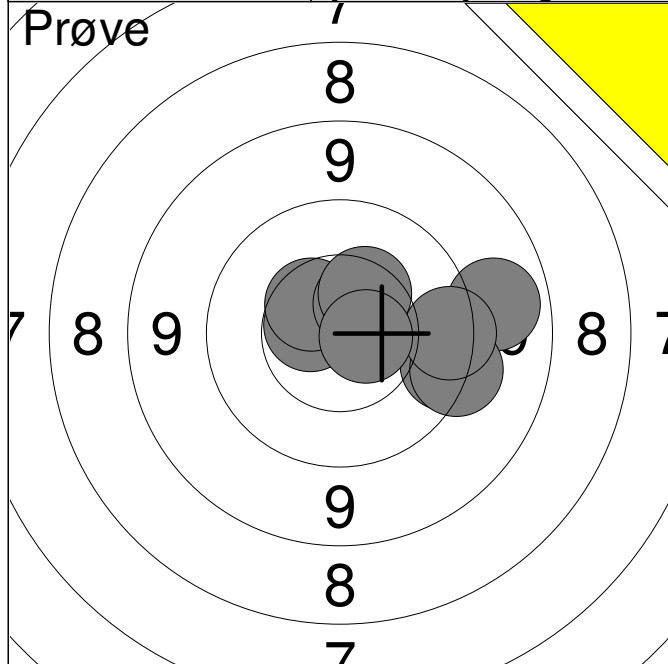
1: 8.6 ↗	6: 10.6 ↓	Serie	93.0
2: 10.3 ↘	7: 9.6 ↑		
3: 9.7 ↑	8: 9.9 ↗	Total	0.0
4: *10.9 →	9: 9.0 →		
5: 9.6 ↗	10: *10.8 →		

11: 9.2 ↘	Serie	29.0
12: *10.6 ↙		
13: *10.7 →	Total	0.0

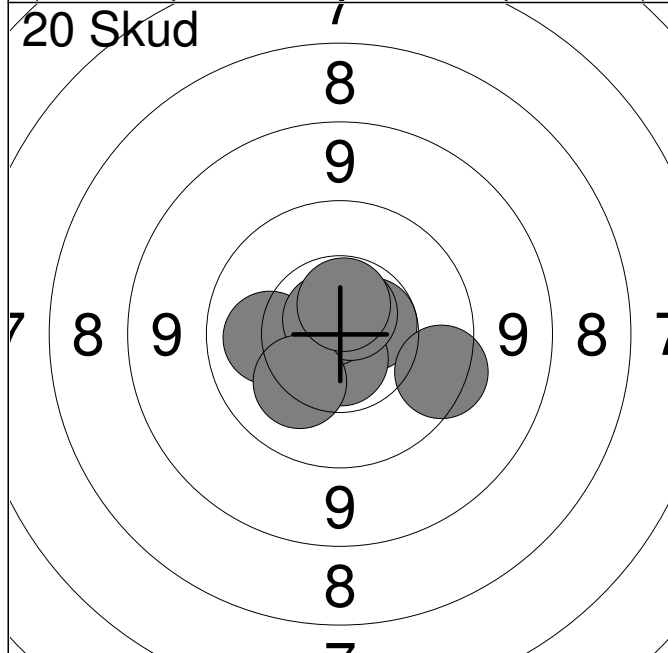


1: 10.1 ←	6: 10.5 ↓	Serie	97.0
2: 10.4 ↓	7: 9.5 ↙		
3: 9.2 ↗	8: 9.6 ↑	Total	97.0
4: 10.2 ←	9: 10.0 ↘		
5: 10.1 ↑	10: *10.6 ↓		

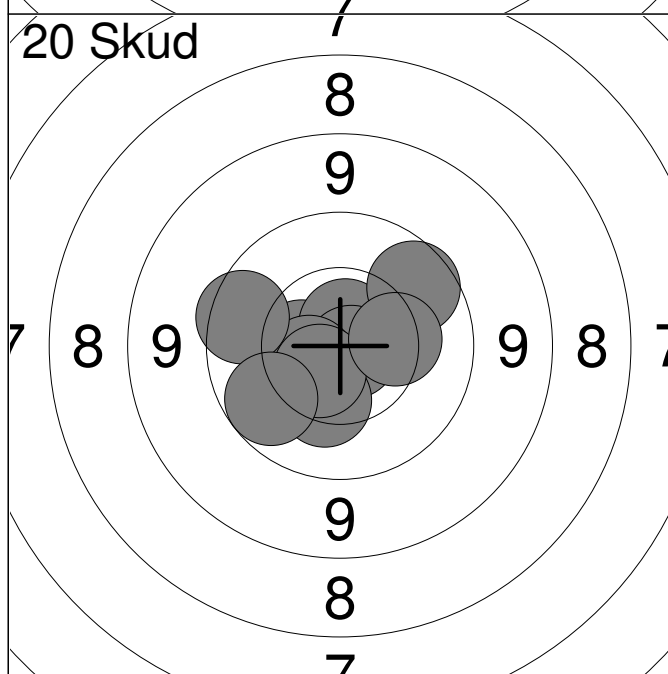
11: 9.7 →	16: *10.6 →	Serie	96.0
12: 9.7 ↙	17: 10.1 ↗		
13: 9.1 ↑	18: 10.3 ↖	Total	193.0
14: 10.2 ↖	19: 9.9 ←		
15: 10.1 ↓	20: 10.0 ↑		



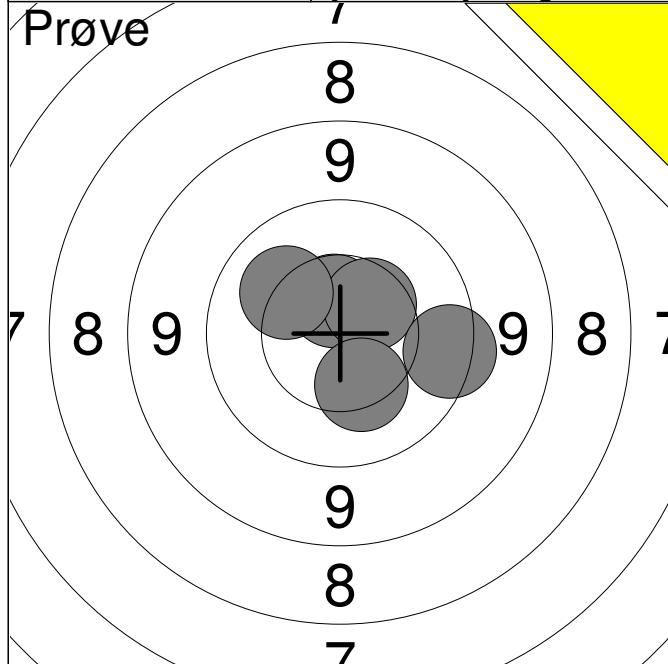
1:	*10.6	←
2:	10.5	↗
3:	10.5	↗
4:	9.1	→
5:	9.6	→
6:	9.5	→
7:	10.4	↗
8:	9.7	→
9:	*10.6	→
Serie		86.0
Total		0.0



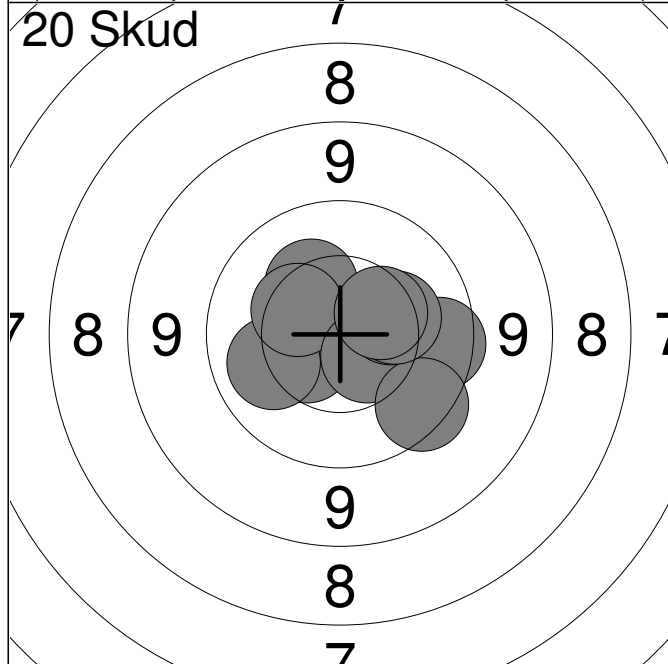
1:	*10.8	←
2:	10.5	↙
3:	10.6	→
4:	*10.7	↓
5:	9.7	→
6:	10.1	←
7:	*10.7	↗
8:	*10.7	↗
9:	10.2	↙
10:	*10.6	↑
Serie		99.0
Total		99.0



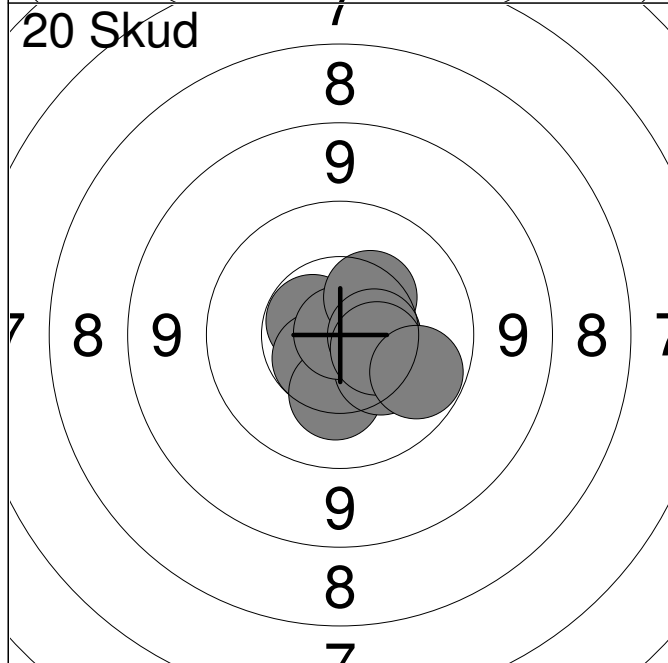
11:	10.5	←
12:	*10.7	↑
13:	9.9	↗
14:	*10.8	→
15:	10.5	↙
16:	9.8	←
17:	10.3	↓
18:	10.6	↙
19:	10.3	→
20:	9.9	↙
Serie		97.0
Total		196.0



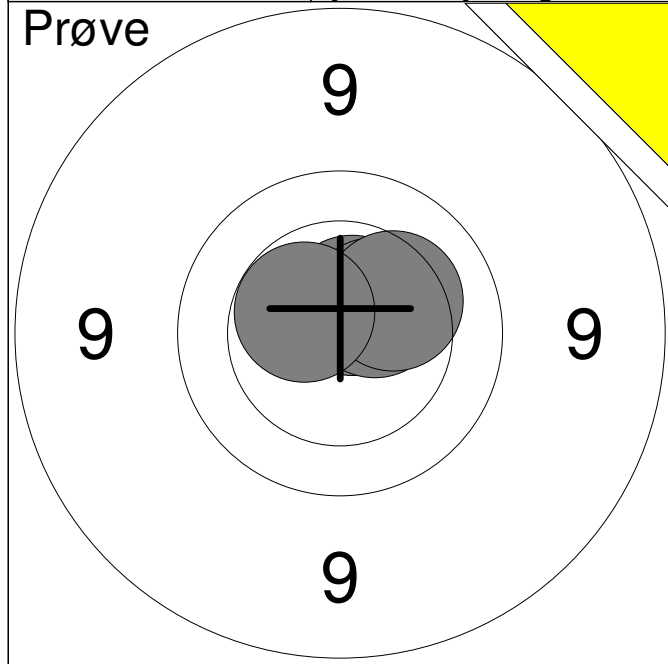
1:	10.6	↑
2:	10.5	↗
3:	9.6	→
4:	10.2	↗
5:	10.3	↘
Serie		49.0
Total		0.0



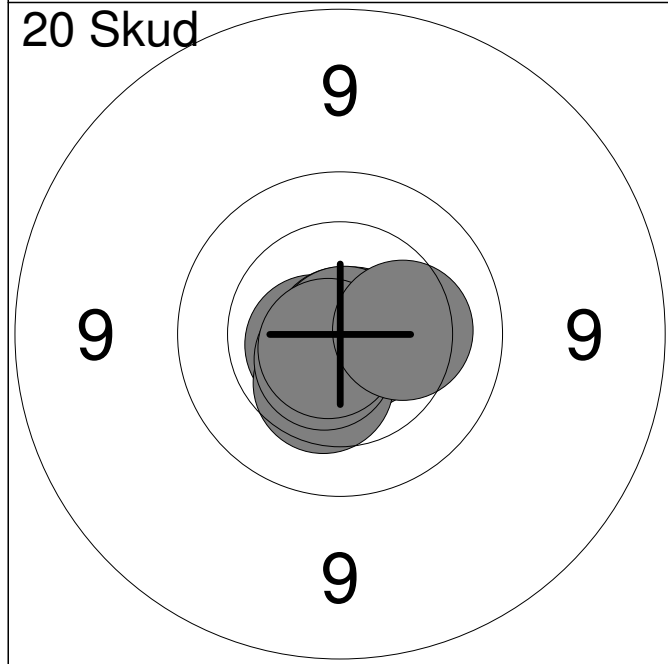
1:	10.5	↙
2:	10.1	↙
3:	10.3	↗
4:	10.4	↗
5:	10.5	↘
6:	10.3	→
7:	9.8	→
8:	9.7	↘
9:	10.3	→
10:	10.4	↗
Serie		98.0
Total		98.0



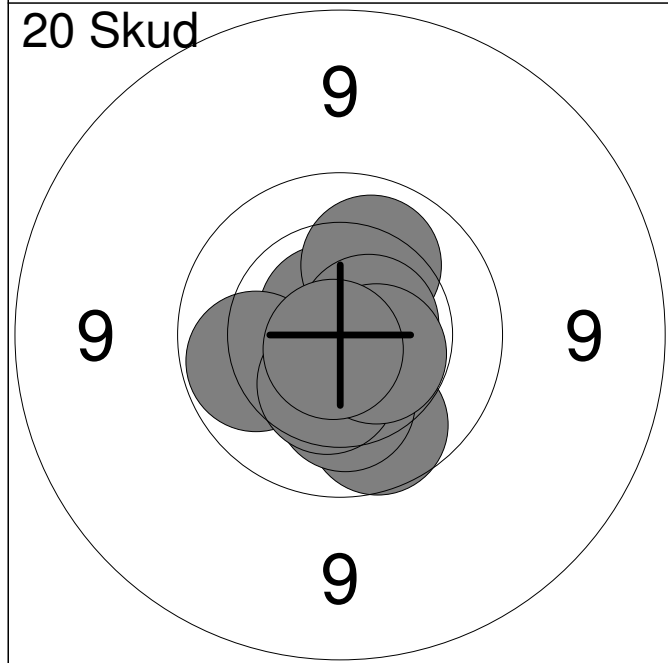
11:	*10.6	↗
12:	10.6	↙
13:	10.3	↘
14:	10.3	↘
15:	10.3	↘
16:	*10.9	↑
17:	10.4	↗
18:	10.6	→
19:	10.5	↘
20:	10.0	↘
Serie		100.0
Total		198.0



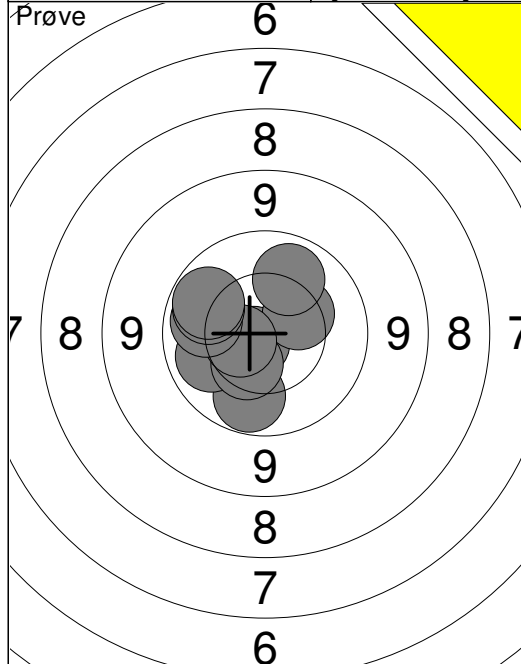
1:	*10.6	↗
2:	10.5	↘
3:	10.3	↘
4:	*10.5	↖
Serie		40.0
Total		0.0



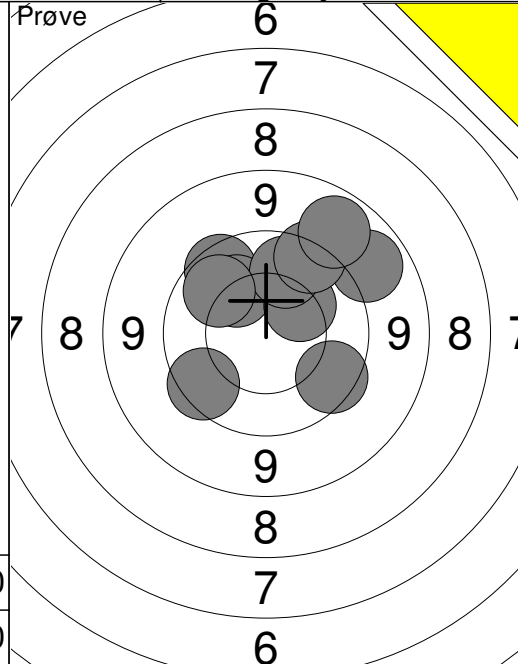
1:	*10.8	→
2:	*10.9	↙
3:	*10.7	→
4:	*10.7	←
5:	*10.9	↙
6:	*10.9	↘
7:	10.4	↙
8:	*10.6	↙
9:	*10.7	↙
10:	10.3	→
Serie		100.0
Total		100.0



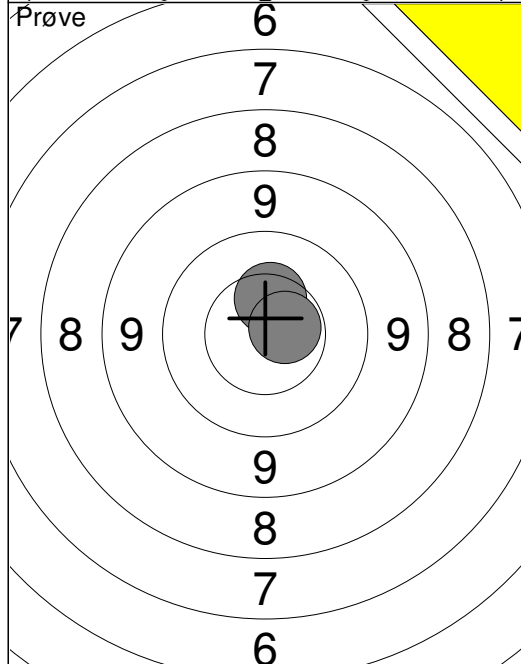
11:	*10.7	↗
12:	9.9	↙
13:	10.1	↗
14:	10.4	↙
15:	*10.6	↘
16:	10.0	←
17:	10.2	↙
18:	10.4	↙
19:	*10.5	↘
20:	*10.8	↙
Serie		99.0
Total		199.0



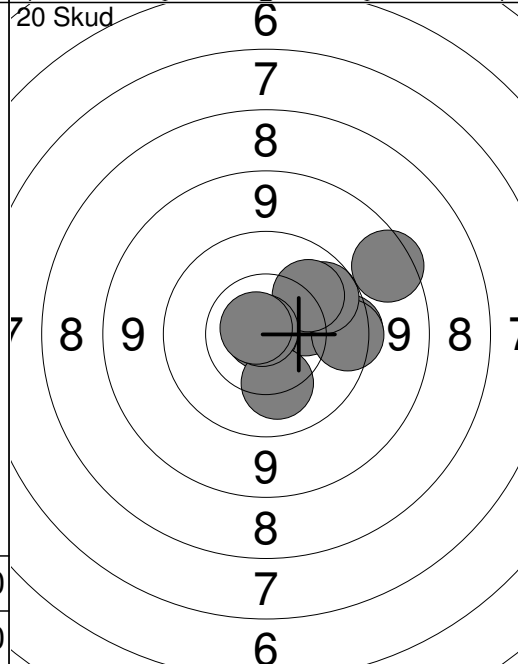
1:	*10.7 ↘
2:	10.0 ↓
3:	10.1 ←
4:	10.4 ↓
5:	10.4 →
6:	10.1 ↑
7:	10.6 ←
8:	10.0 ←
9:	10.0 ←
10:	10.0 ←
Serie 100.0	
Total 0.0	



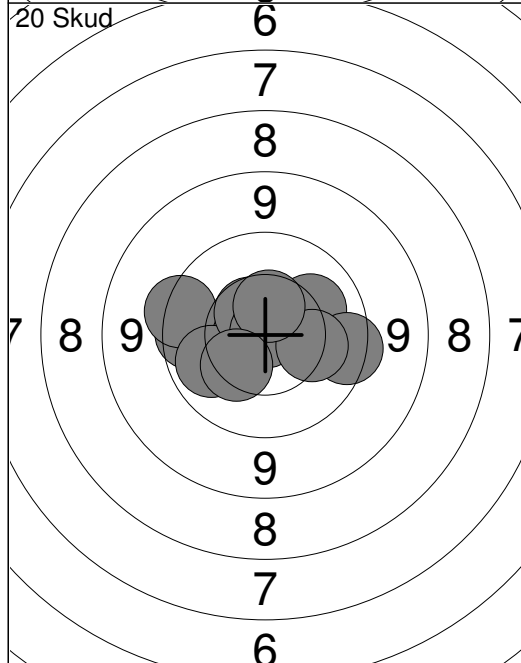
11:	9.1 ↗
12:	9.8 ↖
13:	9.7 ↙
14:	10.2 ↖
15:	10.3 ↗
16:	10.0 ↑
17:	9.6 ↑
18:	10.0 ↖
19:	9.0 ↑
20:	9.7 ↘
Serie 94.0	
Total 0.0	



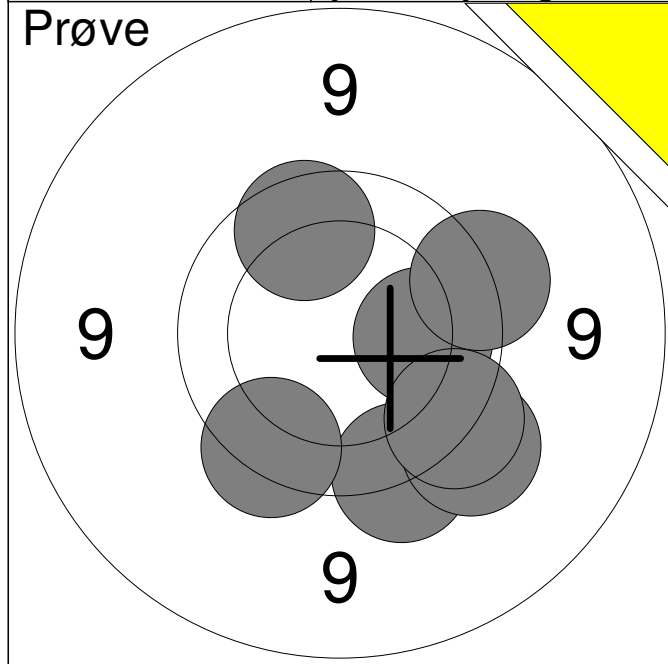
21:	10.4 ↑
22:	*10.6 →
Serie 20.0	
Total 0.0	



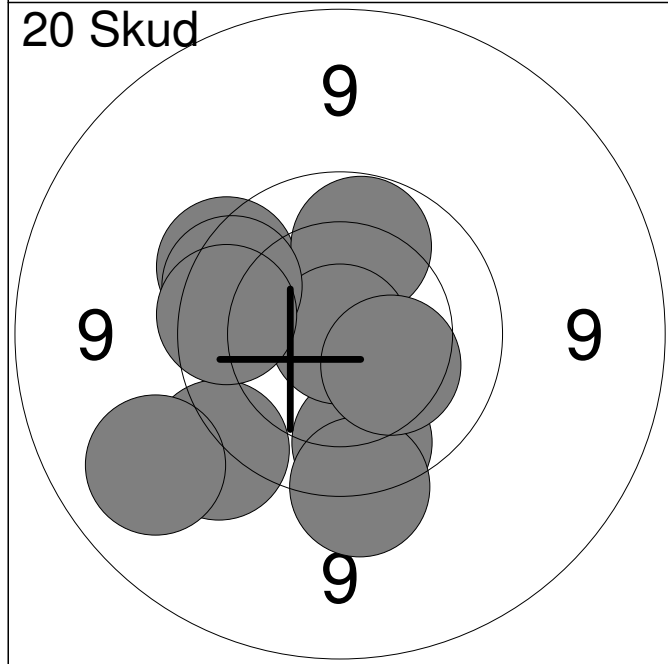
1:	10.3 →
2:	8.8 →
3:	9.7 →
4:	*10.9 ←
5:	9.7 →
6:	10.2 ↓
7:	9.9 ↗
8:	10.1 ↗
9:	*10.9 ↖
10:	*10.8 ↖
Serie 95.0	
Total 95.0	



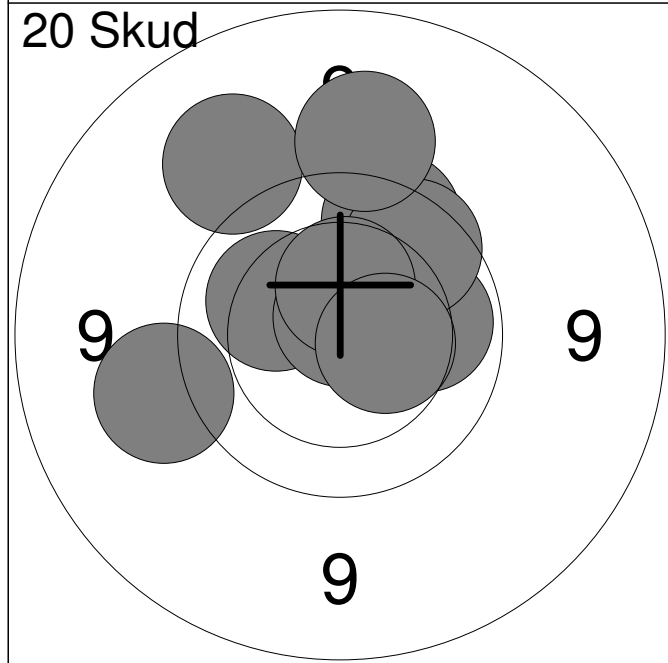
11:	10.2 →
12:	9.7 →
13:	9.8 ←
14:	9.6 ←
15:	10.1 ←
16:	10.5 ↖
17:	*10.9 ↑
18:	10.2 →
19:	10.5 ↑
20:	10.3 ↙
Serie 97.0	
Total 192.0	



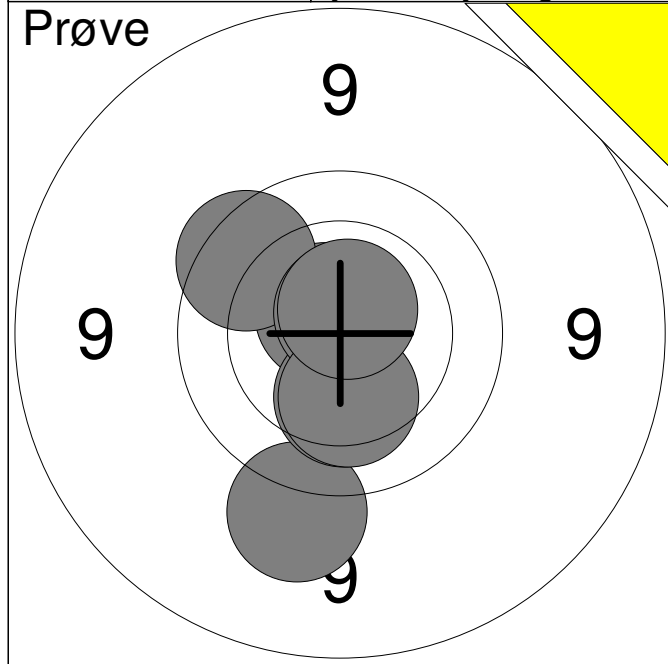
1:	9.8	↑
2:	10.1	→
3:	9.6	↓
4:	9.6	→
5:	9.5	↓
6:	9.7	↓
7:	9.6	↓
Serie		64.0
Total		0.0



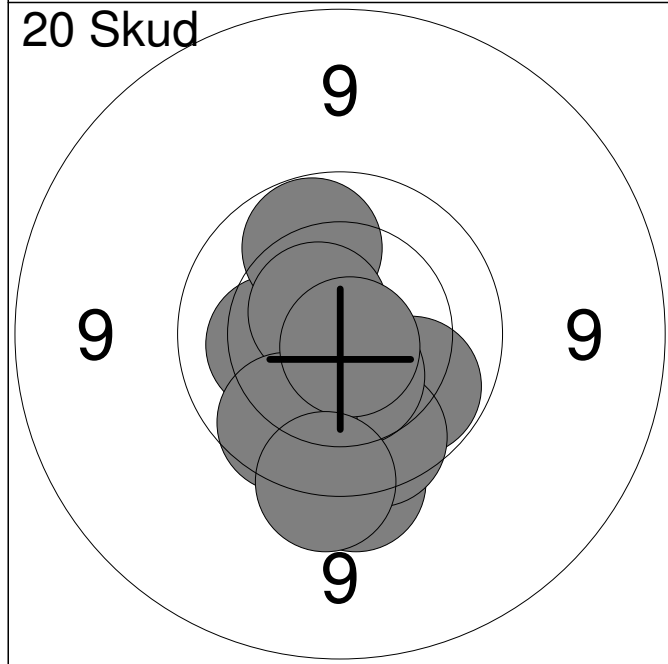
1:	9.7	↖
2:	9.8	↓
3:	9.6	↓
4:	9.5	↙
5:	9.1	↙
6:	10.0	↑
7:	*10.9	↓
8:	10.3	↘
9:	9.8	↗
10:	9.8	↖
Serie		93.0
Total		93.0



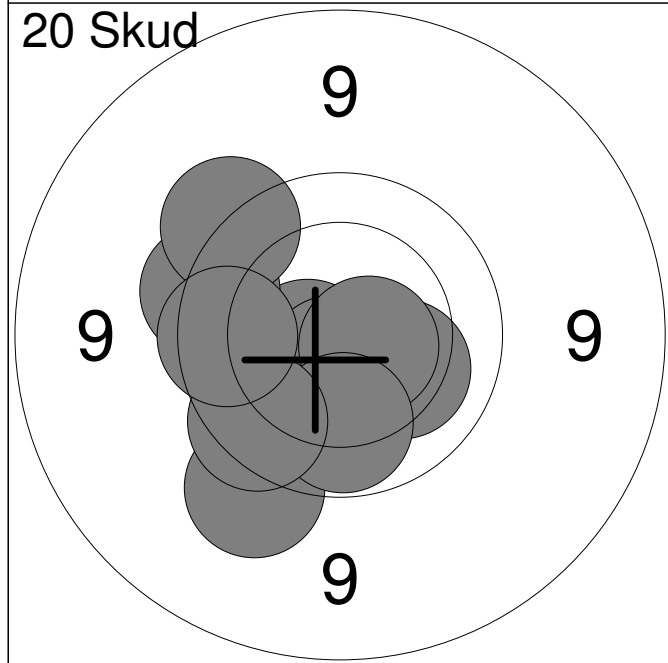
11:	9.3	↗
12:	10.2	↖
13:	*10.7	↑
14:	10.0	→
15:	9.8	↑
16:	9.8	↗
17:	9.4	↙
18:	10.4	↑
19:	10.5	→
20:	9.3	↑
Serie		95.0
Total		188.0



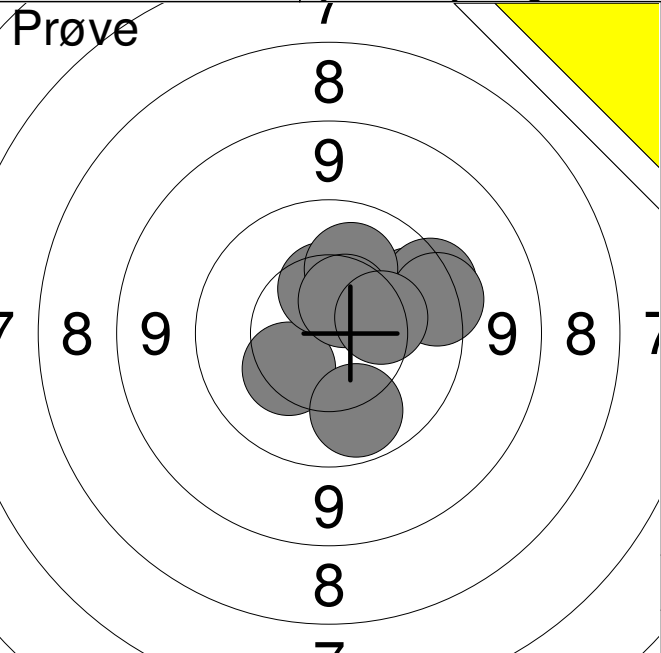
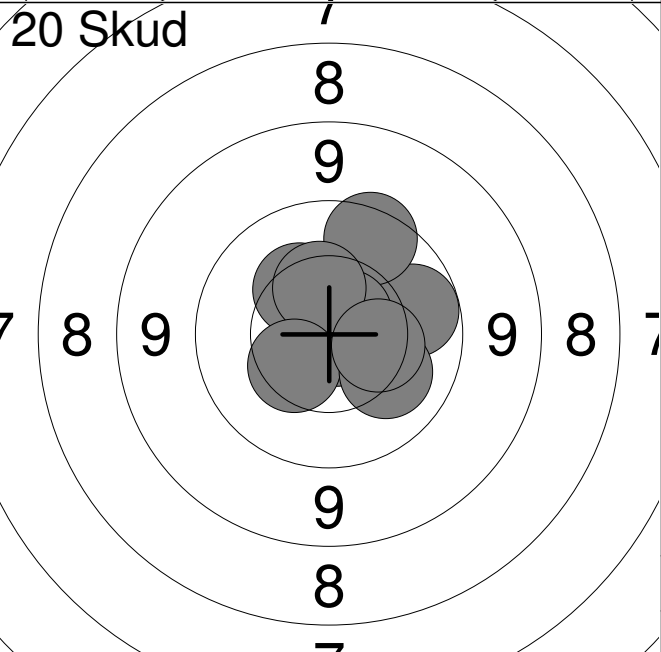
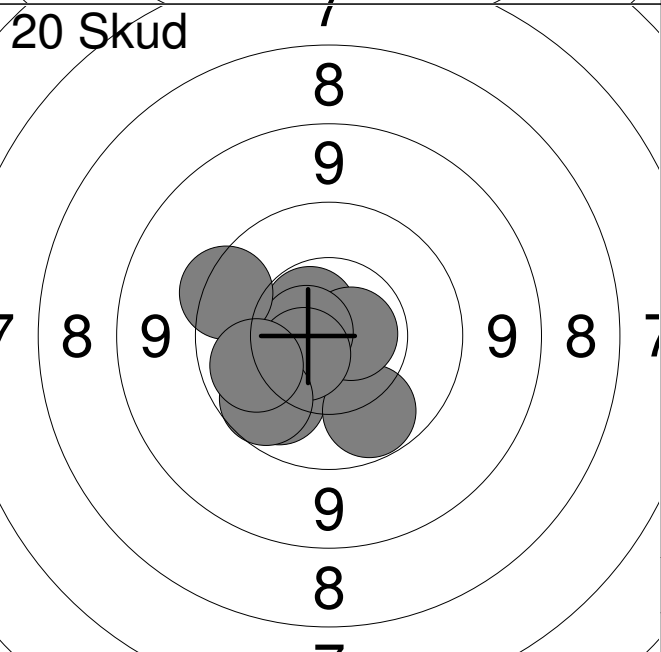
1:	*10.7	↗
2:	9.4	↓
3:	9.8	↗
4:	10.3	↓
5:	*10.7	↑
6:	10.3	↓
7:	*10.7	↑
Serie		68.0
Total		0.0

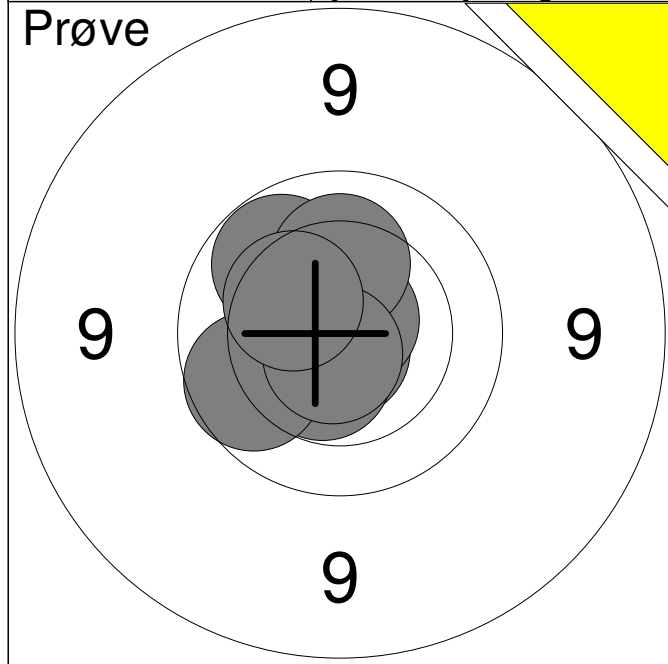


1:	10.2	←
2:	10.0	↑
3:	9.6	↓
4:	10.0	↓
5:	9.8	↓
6:	10.5	↓
7:	*10.6	↗
8:	9.9	↓
9:	*10.8	↓
10:	9.6	↓
Serie		96.0
Total		96.0

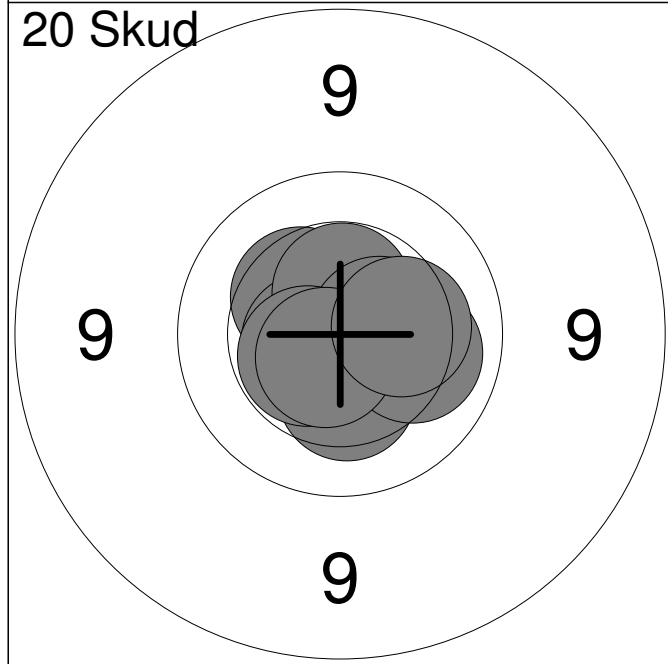


11:	*10.6	←
12:	9.7	↗
13:	9.4	↓
14:	*10.6	↓
15:	10.2	↓
16:	*10.6	↗
17:	9.6	↗
18:	10.0	↓
19:	9.8	↙
20:	9.8	←
Serie		95.0
Total		191.0

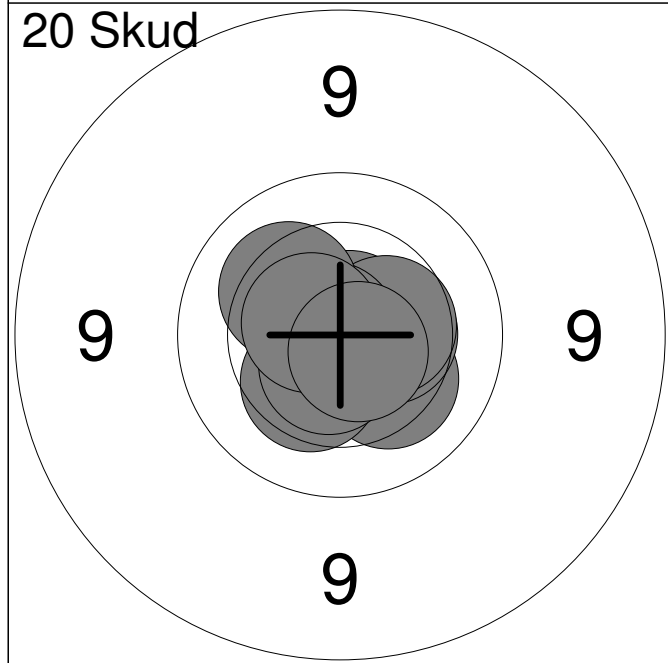
	Jyllandsskydning	Aalborg Skyttekreds																																			
Prøve 	<table style="width:100%; border-collapse: collapse;"> <tr><td style="width:5%;">1:</td><td style="width:15%;">9.9</td><td style="width:10%; text-align:right;">→</td></tr> <tr><td>2:</td><td>10.3</td><td style="text-align:right;">↙</td></tr> <tr><td>3:</td><td>10.4</td><td style="text-align:right;">↑</td></tr> <tr><td>4:</td><td>10.0</td><td style="text-align:right;">↓</td></tr> <tr><td>5:</td><td>9.6</td><td style="text-align:right;">→</td></tr> <tr><td>6:</td><td>9.6</td><td style="text-align:right;">→</td></tr> <tr><td>7:</td><td>10.2</td><td style="text-align:right;">↑</td></tr> <tr><td>8:</td><td>10.5</td><td style="text-align:right;">↑</td></tr> <tr><td>9:</td><td>10.3</td><td style="text-align:right;">→</td></tr> <tr><td colspan="2">Serie</td><td style="text-align:right;">87.0</td></tr> <tr><td colspan="2">Total</td><td style="text-align:right;">0.0</td></tr> </table>	1:	9.9	→	2:	10.3	↙	3:	10.4	↑	4:	10.0	↓	5:	9.6	→	6:	9.6	→	7:	10.2	↑	8:	10.5	↑	9:	10.3	→	Serie		87.0	Total		0.0			
1:	9.9	→																																			
2:	10.3	↙																																			
3:	10.4	↑																																			
4:	10.0	↓																																			
5:	9.6	→																																			
6:	9.6	→																																			
7:	10.2	↑																																			
8:	10.5	↑																																			
9:	10.3	→																																			
Serie		87.0																																			
Total		0.0																																			
20 Skud 	<table style="width:100%; border-collapse: collapse;"> <tr><td style="width:5%;">1:</td><td style="width:15%;">10.0</td><td style="width:10%; text-align:right;">→</td></tr> <tr><td>2:</td><td>9.7</td><td style="text-align:right;">↑</td></tr> <tr><td>3:</td><td>*10.7</td><td style="text-align:right;">↑</td></tr> <tr><td>4:</td><td>*10.8</td><td style="text-align:right;">↘</td></tr> <tr><td>5:</td><td>*10.7</td><td style="text-align:right;">↗</td></tr> <tr><td>6:</td><td>10.3</td><td style="text-align:right;">↗</td></tr> <tr><td>7:</td><td>10.4</td><td style="text-align:right;">↑</td></tr> <tr><td>8:</td><td>10.4</td><td style="text-align:right;">↙</td></tr> <tr><td>9:</td><td>10.2</td><td style="text-align:right;">↘</td></tr> <tr><td>10:</td><td>10.4</td><td style="text-align:right;">→</td></tr> <tr><td colspan="2">Serie</td><td style="text-align:right;">99.0</td></tr> <tr><td colspan="2">Total</td><td style="text-align:right;">99.0</td></tr> </table>	1:	10.0	→	2:	9.7	↑	3:	*10.7	↑	4:	*10.8	↘	5:	*10.7	↗	6:	10.3	↗	7:	10.4	↑	8:	10.4	↙	9:	10.2	↘	10:	10.4	→	Serie		99.0	Total		99.0
1:	10.0	→																																			
2:	9.7	↑																																			
3:	*10.7	↑																																			
4:	*10.8	↘																																			
5:	*10.7	↗																																			
6:	10.3	↗																																			
7:	10.4	↑																																			
8:	10.4	↙																																			
9:	10.2	↘																																			
10:	10.4	→																																			
Serie		99.0																																			
Total		99.0																																			
20 Skud 	<table style="width:100%; border-collapse: collapse;"> <tr><td style="width:5%;">11:</td><td style="width:15%;">10.5</td><td style="width:10%; text-align:right;">↓</td></tr> <tr><td>12:</td><td>*10.6</td><td style="text-align:right;">↗</td></tr> <tr><td>13:</td><td>10.0</td><td style="text-align:right;">↙</td></tr> <tr><td>14:</td><td>10.0</td><td style="text-align:right;">↓</td></tr> <tr><td>15:</td><td>*10.7</td><td style="text-align:right;">→</td></tr> <tr><td>16:</td><td>*10.7</td><td style="text-align:right;">←</td></tr> <tr><td>17:</td><td>*10.6</td><td style="text-align:right;">↙</td></tr> <tr><td>18:</td><td>9.6</td><td style="text-align:right;">↖</td></tr> <tr><td>19:</td><td>9.9</td><td style="text-align:right;">↙</td></tr> <tr><td>20:</td><td>10.0</td><td style="text-align:right;">←</td></tr> <tr><td colspan="2">Serie</td><td style="text-align:right;">98.0</td></tr> <tr><td colspan="2">Total</td><td style="text-align:right;">197.0</td></tr> </table>	11:	10.5	↓	12:	*10.6	↗	13:	10.0	↙	14:	10.0	↓	15:	*10.7	→	16:	*10.7	←	17:	*10.6	↙	18:	9.6	↖	19:	9.9	↙	20:	10.0	←	Serie		98.0	Total		197.0
11:	10.5	↓																																			
12:	*10.6	↗																																			
13:	10.0	↙																																			
14:	10.0	↓																																			
15:	*10.7	→																																			
16:	*10.7	←																																			
17:	*10.6	↙																																			
18:	9.6	↖																																			
19:	9.9	↙																																			
20:	10.0	←																																			
Serie		98.0																																			
Total		197.0																																			



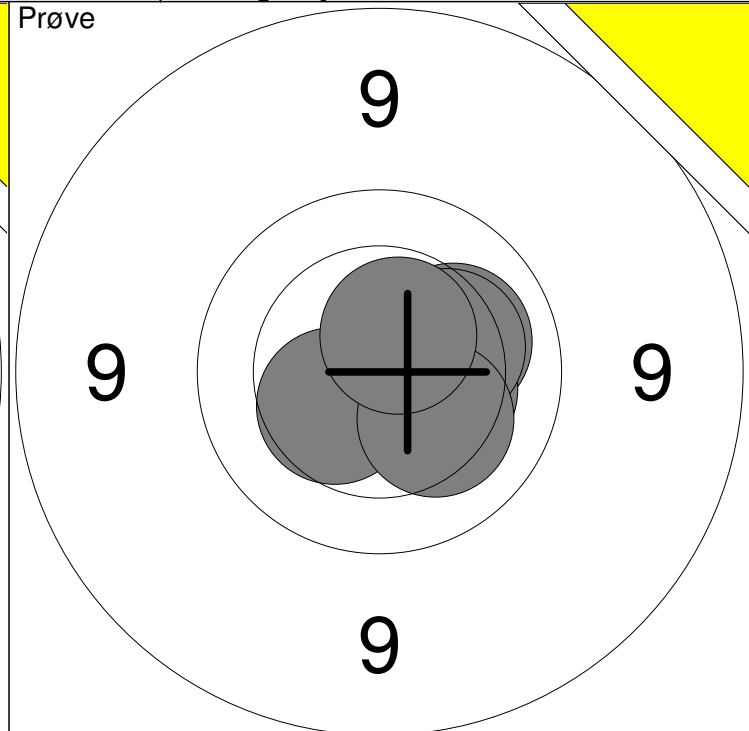
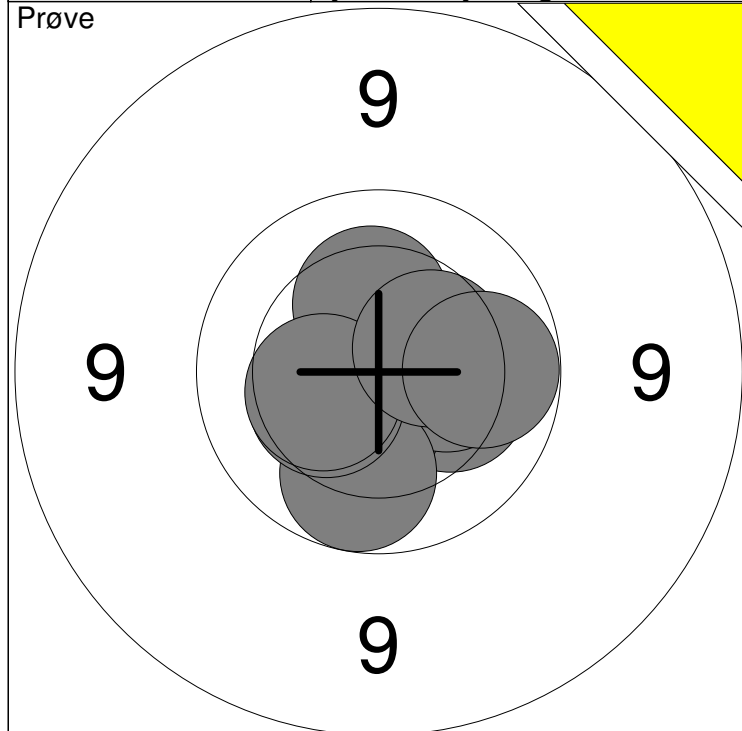
1:	*10.8	↓
2:	*10.5	↙
3:	10.2	↗
4:	*10.8	↗
5:	9.9	↖
6:	10.3	↗
7:	10.0	↗
8:	10.2	↑
9:	*10.7	↙
10:	10.3	↗
Serie		99.0
Total		0.0



1:	10.4	↗
2:	*10.7	↗
3:	*10.6	↖
4:	*10.5	↑
5:	*10.5	→
6:	10.3	↓
7:	*10.5	↖
8:	10.1	→
9:	*10.7	↙
10:	10.3	→
Serie		100.0
Total		100.0

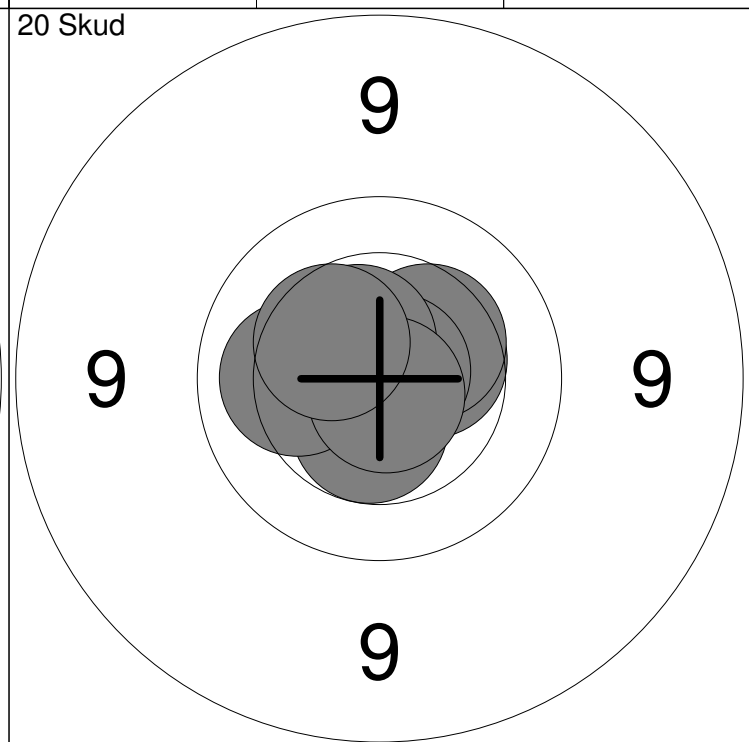
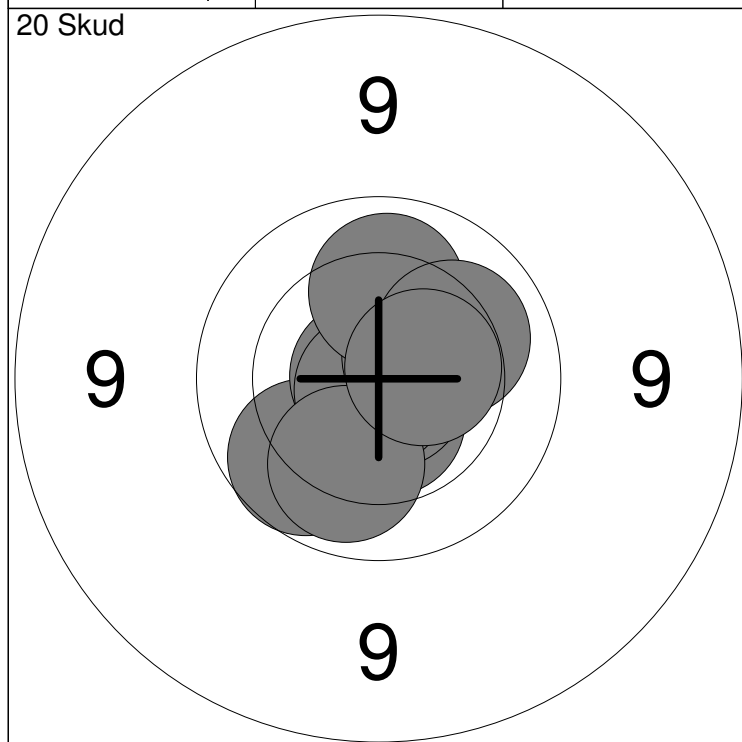


11:	10.2	↘
12:	*10.8	↗
13:	10.4	→
14:	10.4	↙
15:	10.4	→
16:	*10.8	↗
17:	10.2	↗
18:	*10.6	↙
19:	*10.6	↗
20:	*10.7	↘
Serie		100.0
Total		200.0



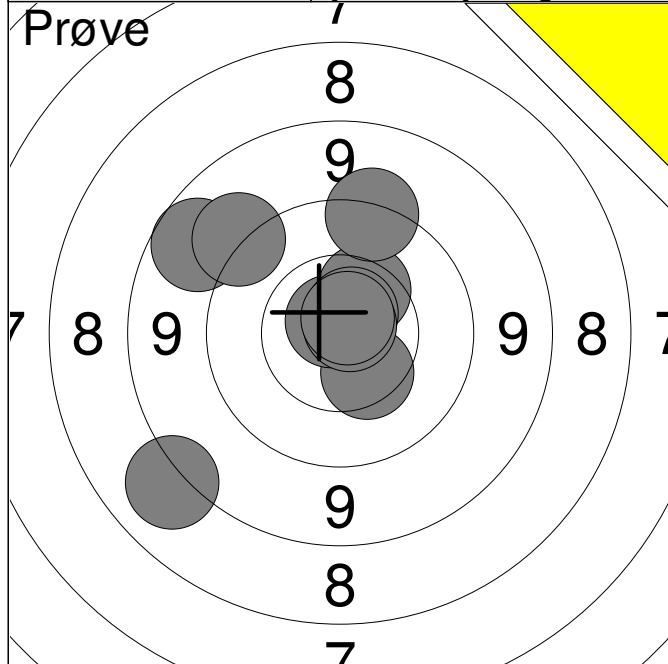
1: *10.8 →	6: 10.4 ↙	Serie	99.0
2: 10.2 →	7: 10.3 ↑		
3: 10.5 ↓	8: 10.4 ↙	Total	0.0
4: 10.3 →	9: 10.4 ↗		
5: 9.9 ↓	10: 10.0 →		

11: 10.2 ↗	16: *10.6 ↗	Serie	60.0
12: 10.4 →			
13: 10.4 ↙		Total	0.0
14: 10.3 ↗			
15: 10.2 ↘			

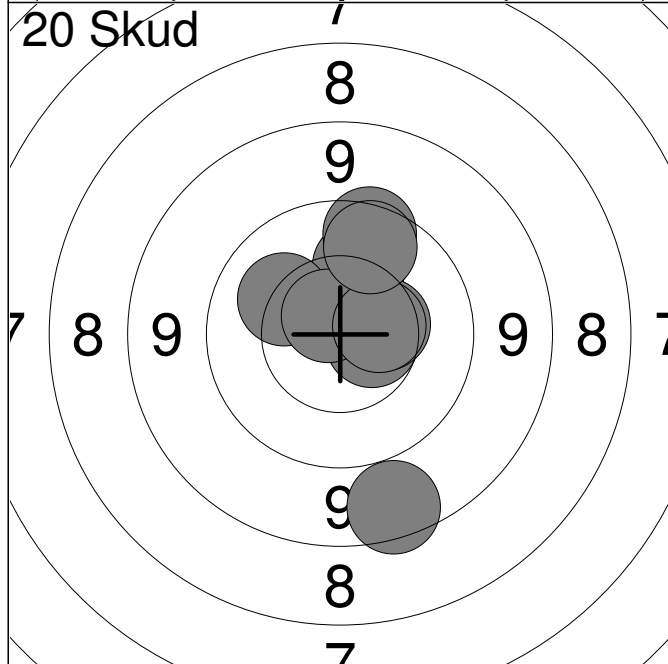


1: 9.9 ↙	6: 10.1 ↓	Serie	99.0
2: *10.6 ↓	7: *10.5 ↗		
3: *10.8 ↘	8: 10.1 ↑	Total	99.0
4: *10.8 ↖	9: 10.1 ↗		
5: *10.8 ↓	10: *10.5 →		

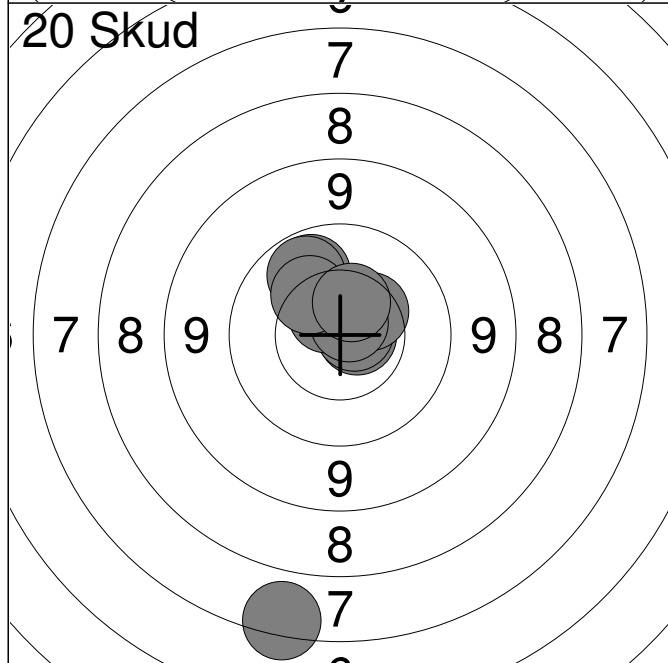
11: *10.8 →	16: 10.2 ↖	Serie	100.0
12: *10.5 ↓	17: *10.8 ↗		
13: 10.4 ↗	18: *10.6 ↖	Total	199.0
14: *10.9 ↘	19: *10.8 ↓		
15: 10.4 ↗	20: 10.4 ↖		



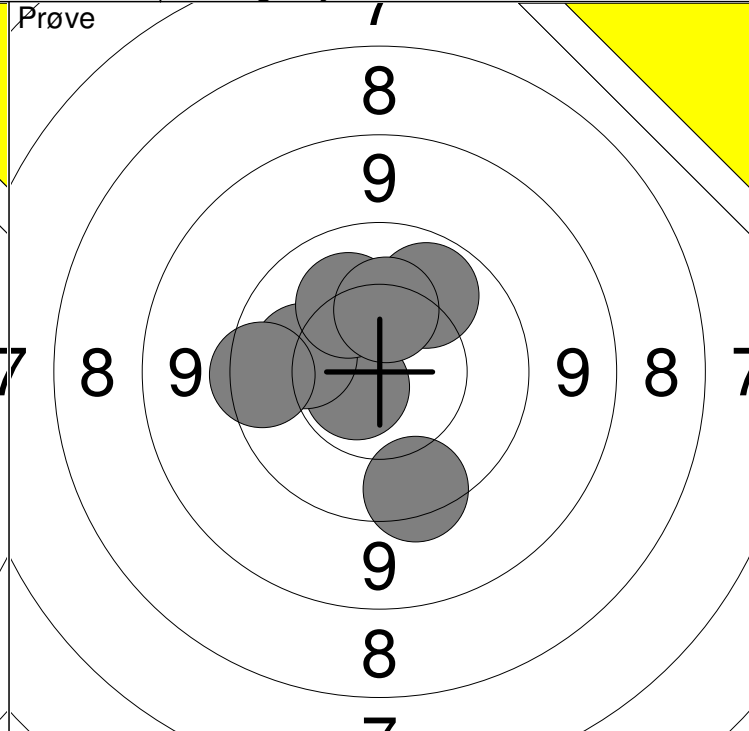
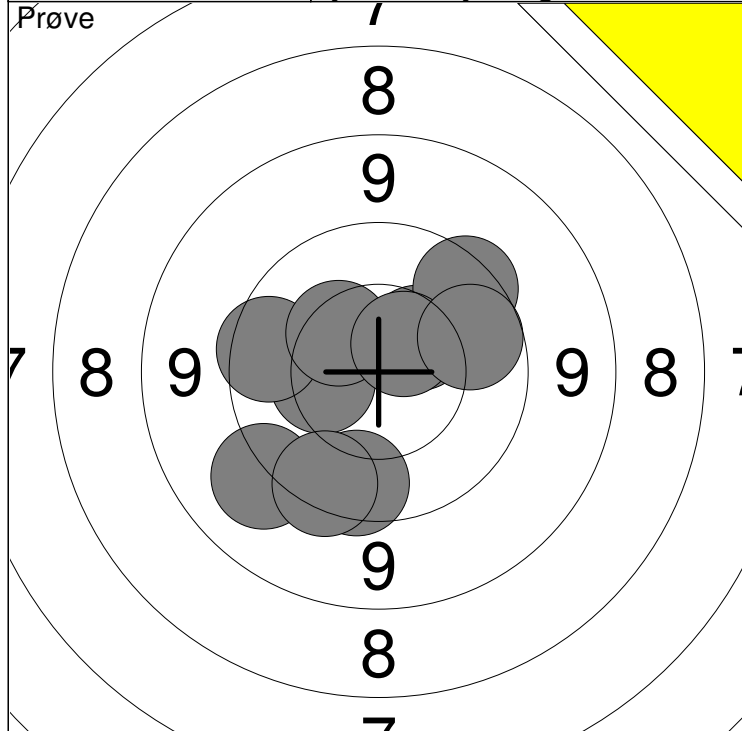
1:	8.9	↗
2:	8.2	↙
3:	9.3	↗
4:	10.4	↘
5:	*10.8	↗
6:	10.4	↗
7:	*10.7	↗
8:	9.5	↗
9:	*10.8	↗
10:	*10.8	↗
Serie		94.0
Total		0.0



1:	*10.6	↗
2:	8.7	↘
3:	10.1	↗
4:	10.2	↙
5:	9.7	↗
6:	10.6	→
7:	10.4	→
8:	*10.7	↗
9:	10.5	→
10:	9.9	↗
Serie		96.0
Total		96.0

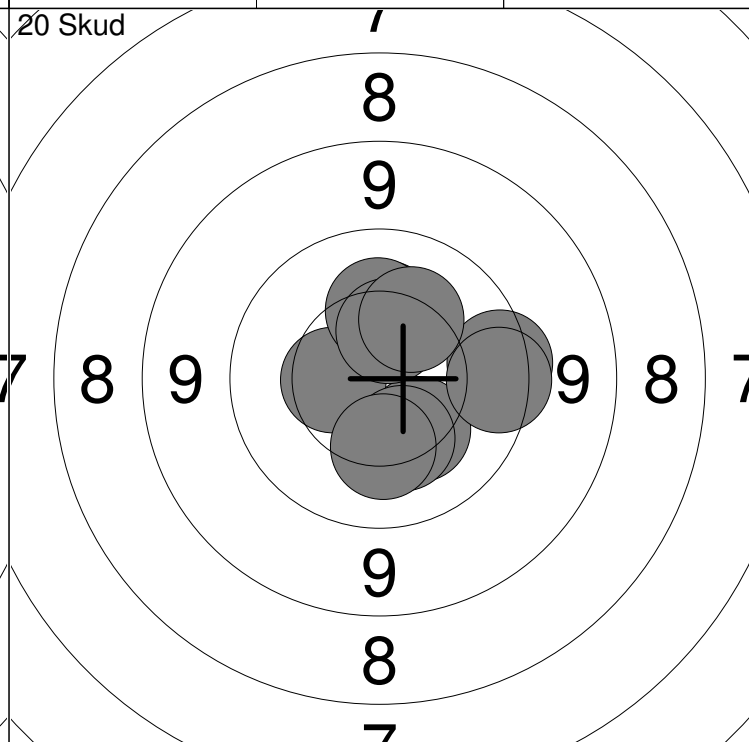
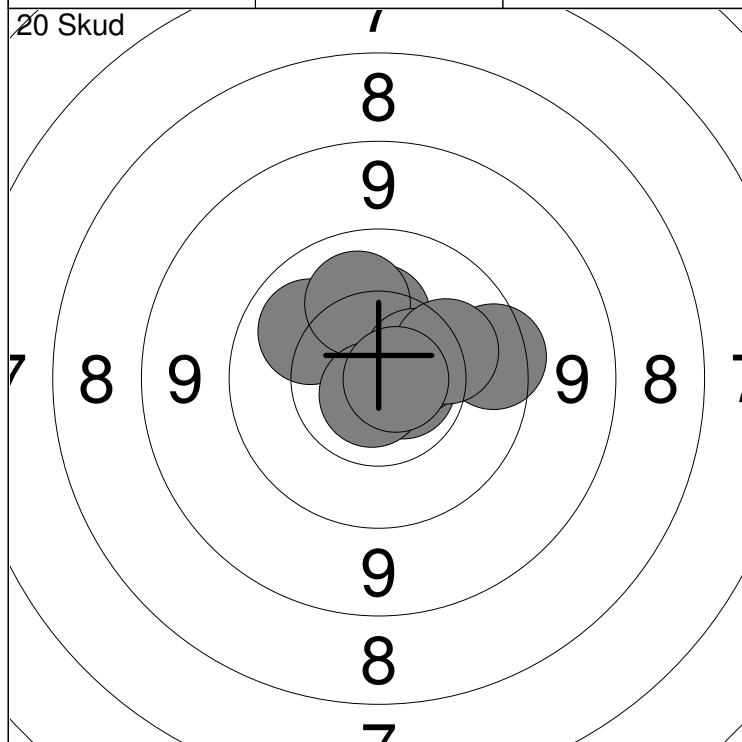


11:	6.6	↘
12:	*10.7	→
13:	10.0	↗
14:	*10.7	→
15:	10.4	↗
16:	*10.6	↗
17:	10.0	↗
18:	*10.7	↗
19:	10.3	↗
20:	10.5	↗
Serie		96.0
Total		192.0



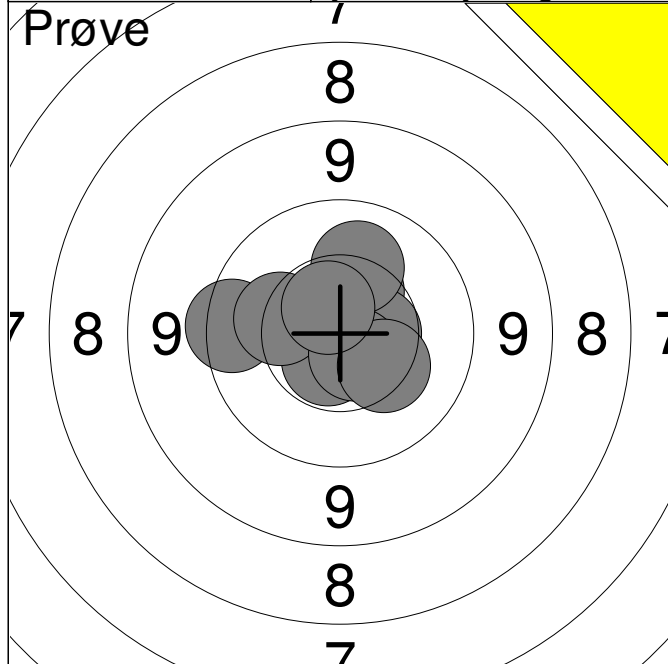
1: 9.8 ↓	6: 10.4 ↖	Serie 94.0
2: 9.3 ↙	7: 10.4 ↗	
3: 10.4 ←	8: 9.7 ↗	Total 0.0
4: 9.6 ↓	9: 10.6 ↗	
5: 9.8 ←	10: 9.9 →	

11: 9.7 ↓	16: 10.0 ↗	Serie 68.0
12: *10.7 ↙	17: 10.3 ↑	
13: 10.2 ←		Total 0.0
14: 10.2 ↑		
15: 9.7 ←		



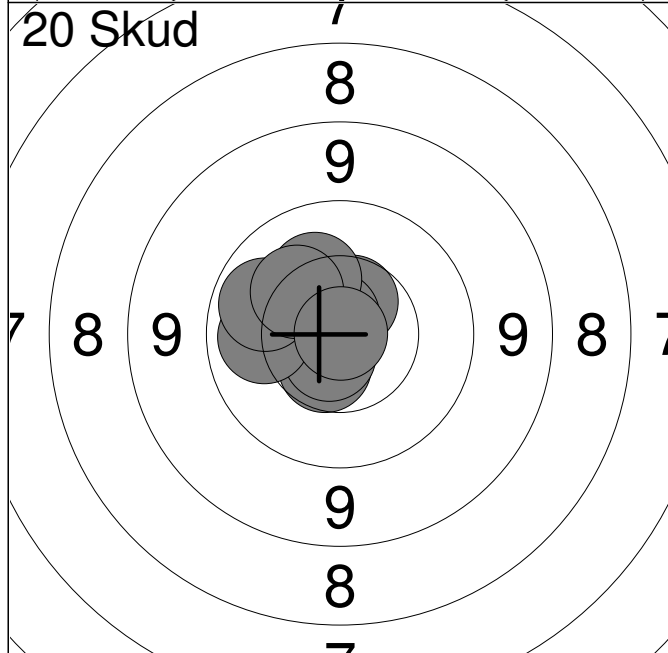
1: 10.6 ↗	6: 10.1 ↑	Serie 99.0
2: 9.7 →	7: 10.5 →	
3: *10.7 →	8: *10.8 ↓	Total 99.0
4: 10.1 ↖	9: 10.2 →	
5: 10.3 ↑	10: *10.8 →	

11: 9.7 →	16: 10.3 ↓	Serie 98.0
12: 10.3 ↓	17: 10.2 ↓	
13: 10.3 ↑	18: 10.2 ↑	Total 197.0
14: 9.7 →	19: 10.4 ↑	
15: 10.5 ←	20: 10.3 ↗	



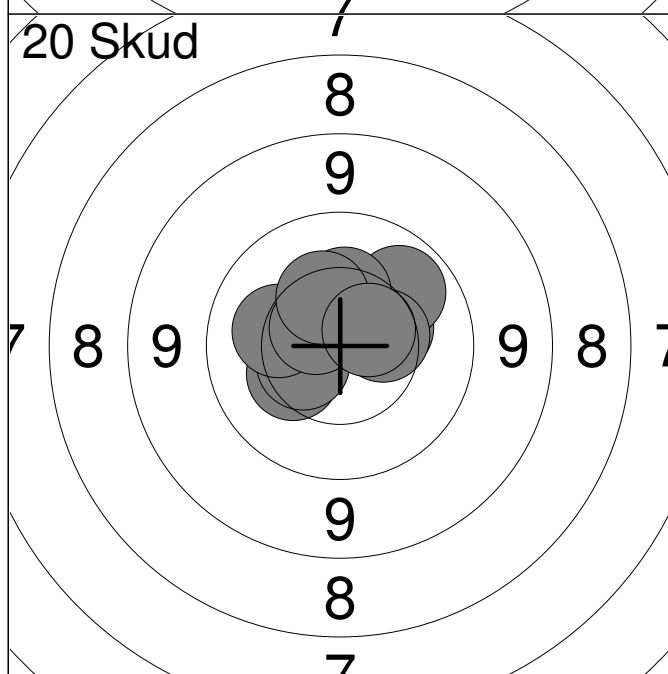
1:	*10.6	↙
2:	9.7	←
3:	10.2	←
4:	10.4	↗
5:	10.6	→
6:	*10.6	↘
7:	10.3	↘
8:	10.2	↗
9:	*10.6	↗

Serie	89.0
Total	0.0



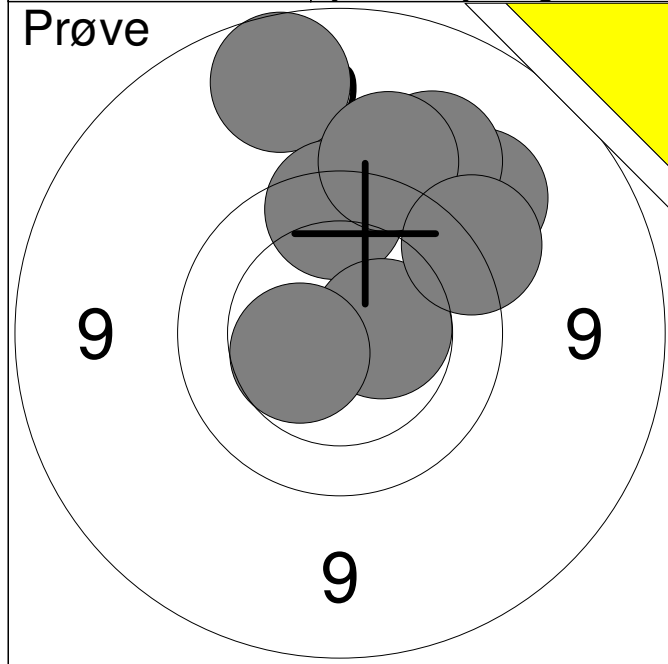
1:	10.6	↗
2:	*10.7	↗
3:	10.3	←
4:	10.5	↘
5:	*10.7	↘
6:	10.1	←
7:	10.2	↗
8:	10.0	←
9:	10.2	↗
10:	*10.9	↗

Serie	100.0
Total	100.0

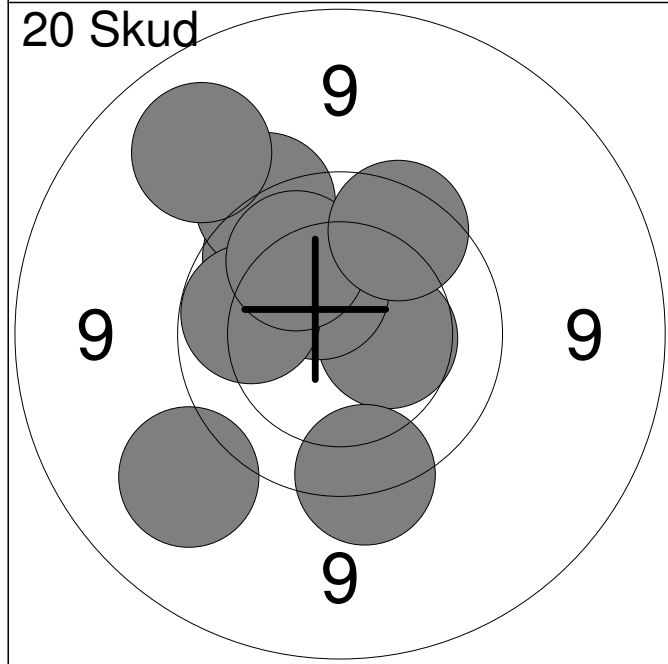


11:	10.3	←
12:	10.5	←
13:	10.2	←
14:	*10.6	↗
15:	10.4	→
16:	10.0	↗
17:	10.3	↗
18:	10.4	→
19:	10.4	↗
20:	10.6	↗

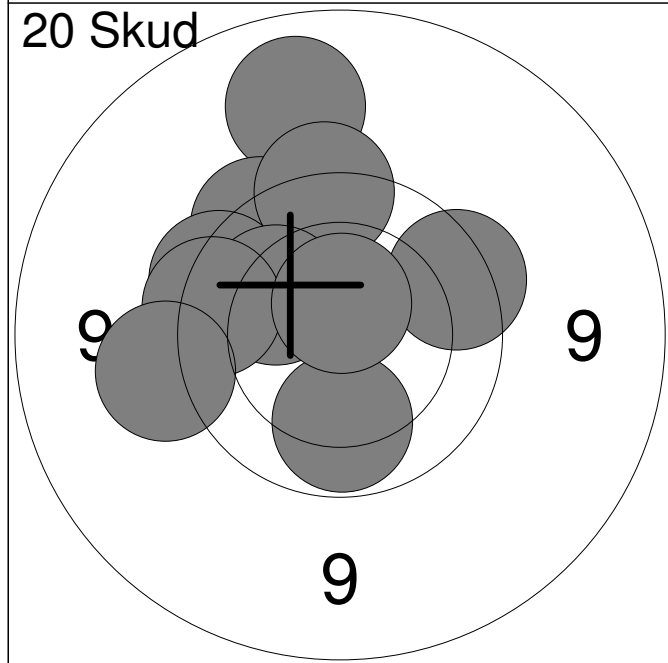
Serie	100.0
Total	200.0



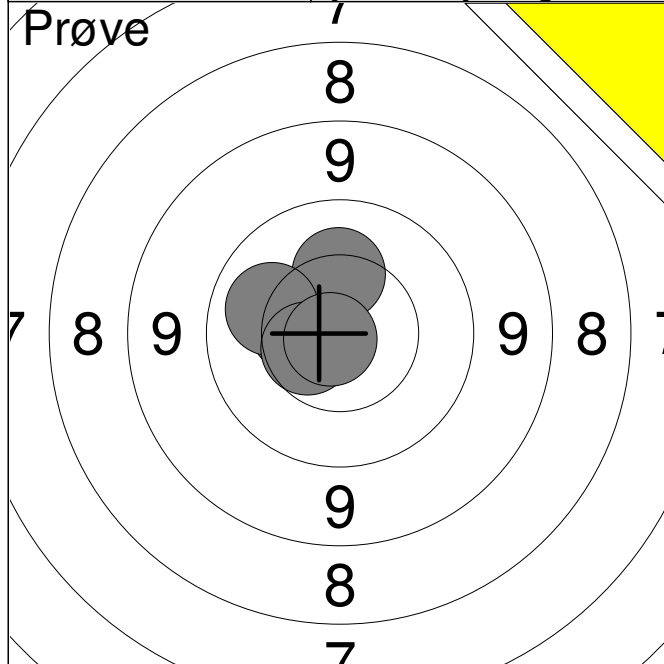
1:	8.9	↑
2:	9.3	↗
3:	9.8	↑
4:	9.3	↗
5:	9.4	↑
6:	*10.5	→
7:	9.5	↗
8:	10.5	↙
Serie		73.0
Total		0.0



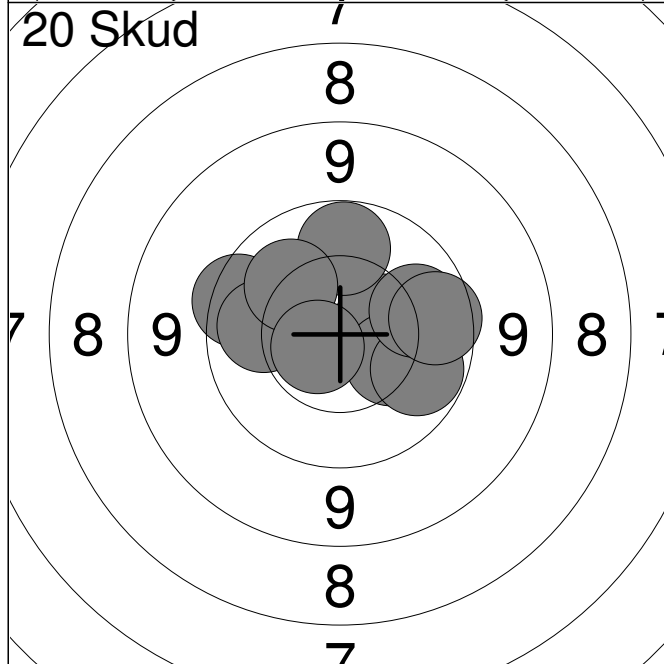
1:	10.4	→
2:	9.9	↗
3:	9.6	↓
4:	9.2	↙
5:	10.4	↗
6:	9.6	↗
7:	10.0	←
8:	9.1	↗
9:	10.0	↗
10:	9.8	↗
Serie		94.0
Total		94.0



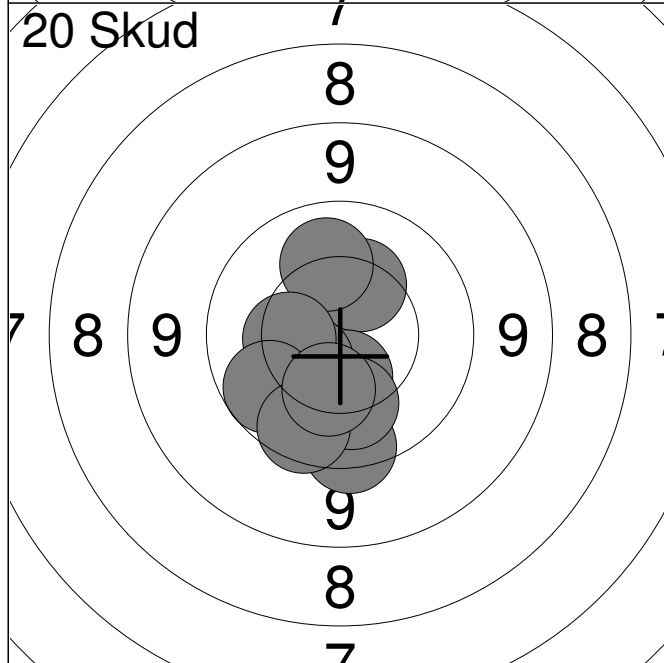
11:	9.1	↑
12:	9.7	↗
13:	9.7	↗
14:	9.7	↗
15:	9.6	↑
16:	10.1	↗
17:	9.7	←
18:	9.4	←
19:	10.0	↓
20:	*10.6	↑
Serie		93.0
Total		187.0



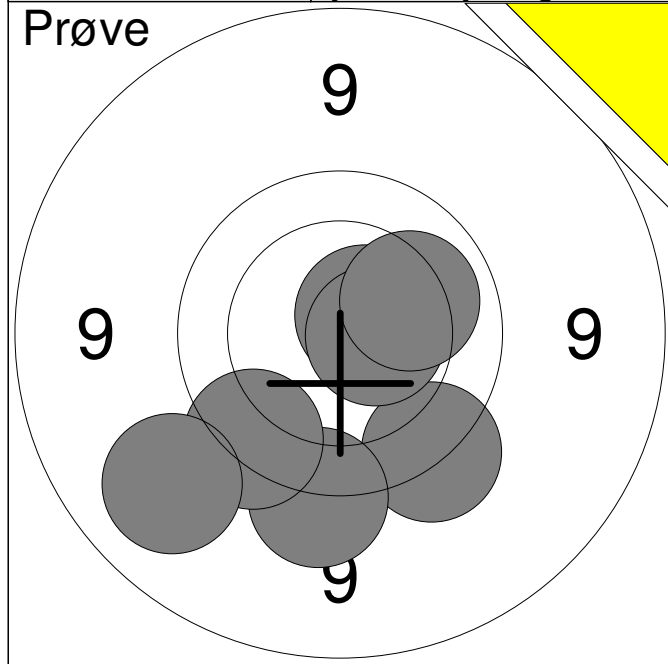
1:	10.4	←
2:	10.3	↑
3:	10.1	←
4:	10.5	←
5:	*10.8	←
Serie		50.0
Total		0.0



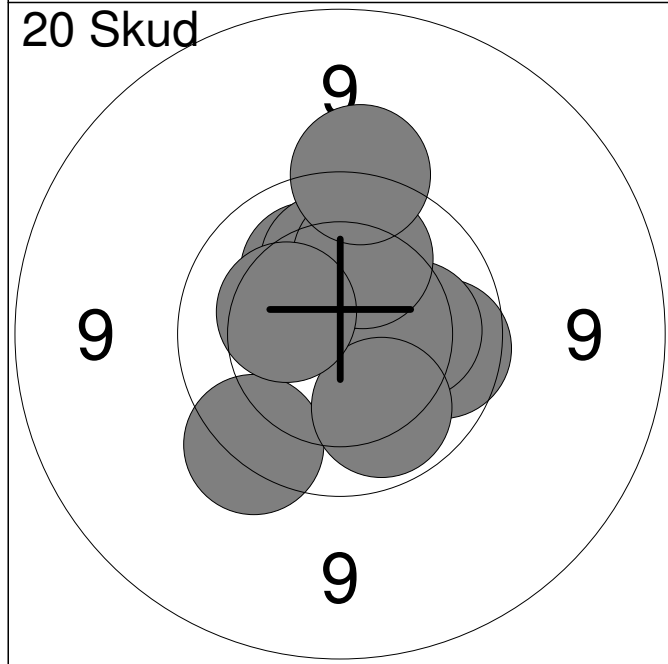
1:	10.4	→
2:	9.7	←
3:	10.3	↘
4:	10.0	↘
5:	10.0	→
6:	10.1	←
7:	10.0	↑
8:	9.8	→
9:	10.2	↗
10:	*10.6	←
Serie		98.0
Total		98.0



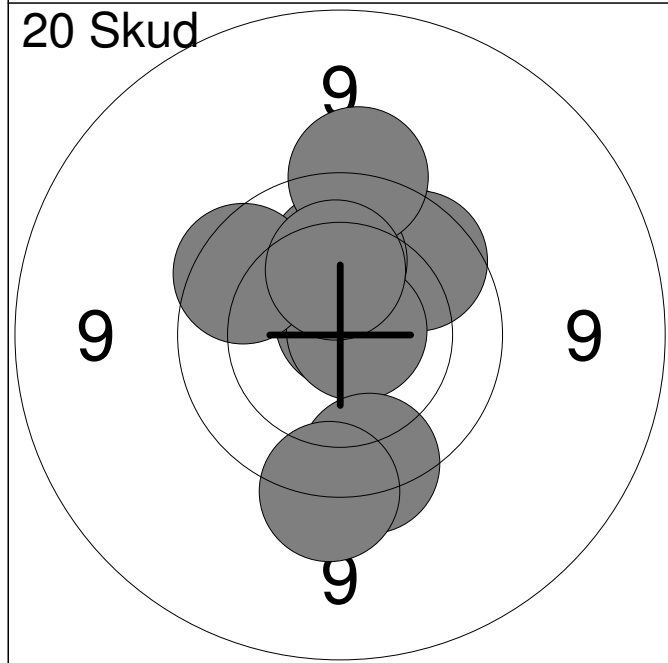
11:	10.3	↑
12:	10.1	↑
13:	9.6	↓
14:	10.5	↓
15:	10.5	←
16:	10.1	↓
17:	10.4	←
18:	9.9	←
19:	9.8	↓
20:	10.3	↓
Serie		97.0
Total		195.0



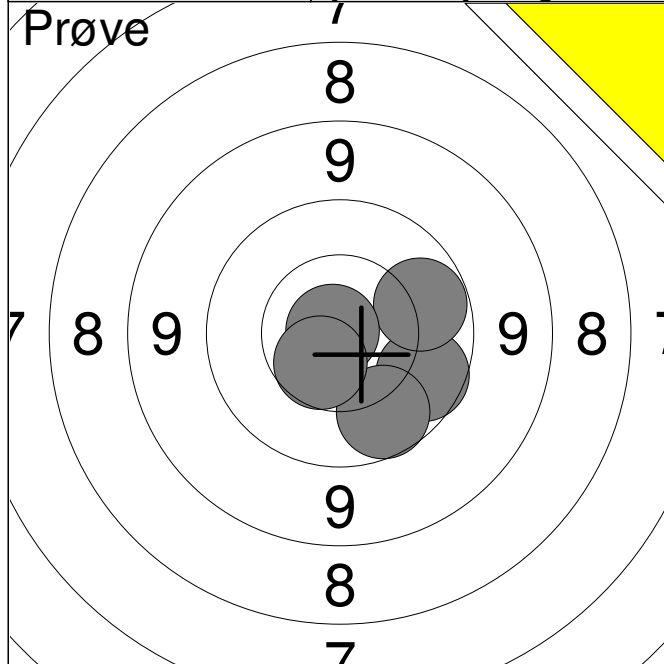
1:	*10.6	↗
2:	9.6	↘
3:	9.5	↓
4:	*10.6	→
5:	9.7	↙
6:	9.1	↖
7:	10.1	↗
Serie		66.0
Total		0.0



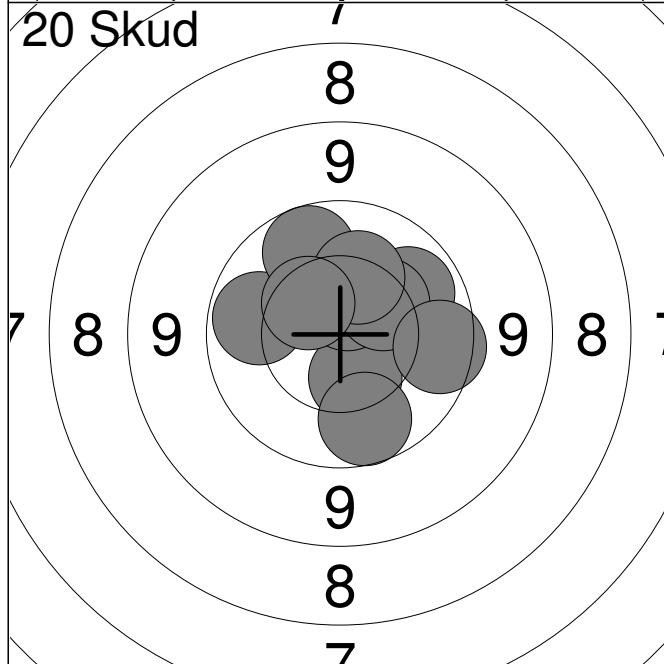
1:	10.1	↑
2:	9.9	→
3:	10.2	→
4:	10.2	↑
5:	10.2	↑
6:	9.7	↙
7:	10.1	↑
8:	9.5	↑
9:	10.0	↓
10:	10.3	↖
Serie		97.0
Total		97.0



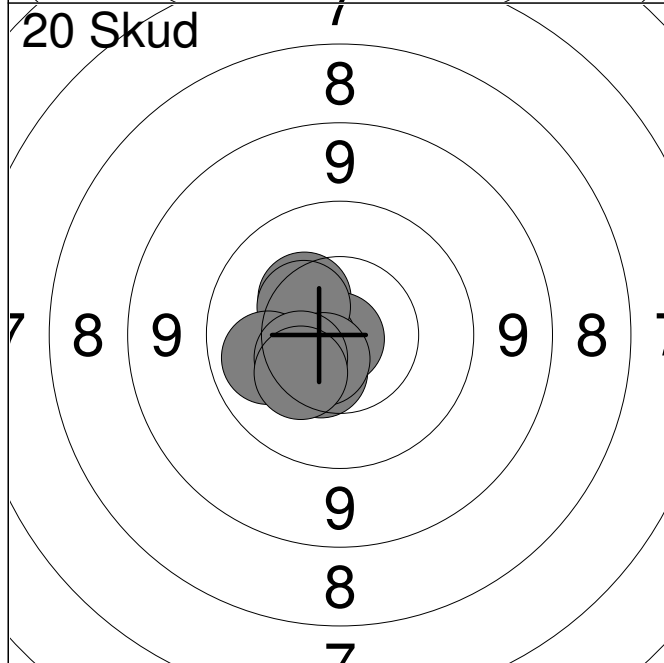
11:	9.9	↗
12:	9.9	↗
13:	10.2	↑
14:	9.5	↑
15:	*10.8	↑
16:	*10.8	→
17:	9.7	↓
18:	9.8	↖
19:	10.2	↑
20:	9.6	↓
Serie		94.0
Total		191.0



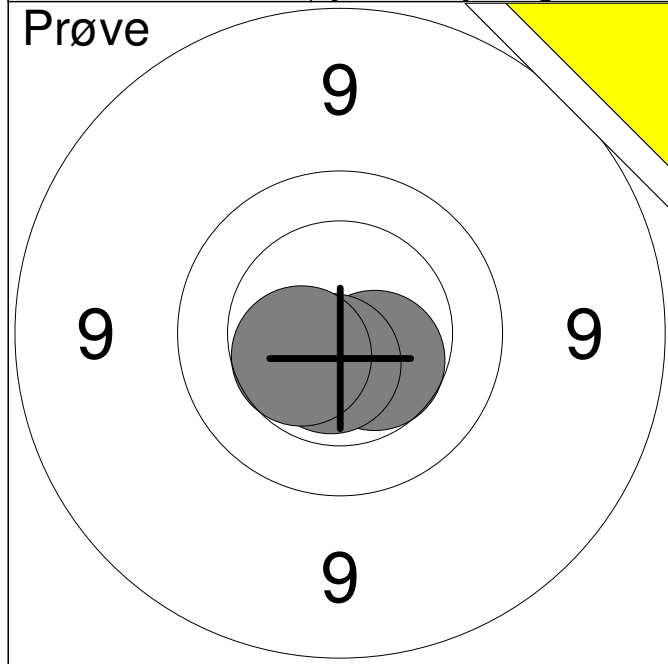
	1:	9.9	↘
	2:	10.0	→
	3:	9.9	↙
	4:	*10.9	↖
	5:	10.5	↘
<hr/>			
	Serie		48.0
	Total		0.0



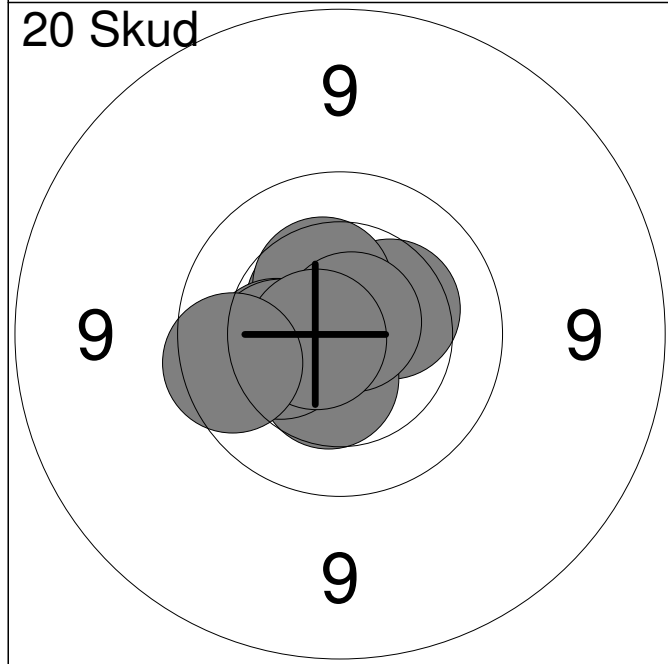
	1:	10.0	↗
	2:	10.4	↘
	3:	*10.6	↖
	4:	10.0	←
	5:	10.3	↗
	6:	9.9	↖
	7:	10.3	↖
	8:	9.8	→
	9:	10.4	↖
	10:	9.9	↘
<hr/>			
	Serie		97.0
	Total		97.0



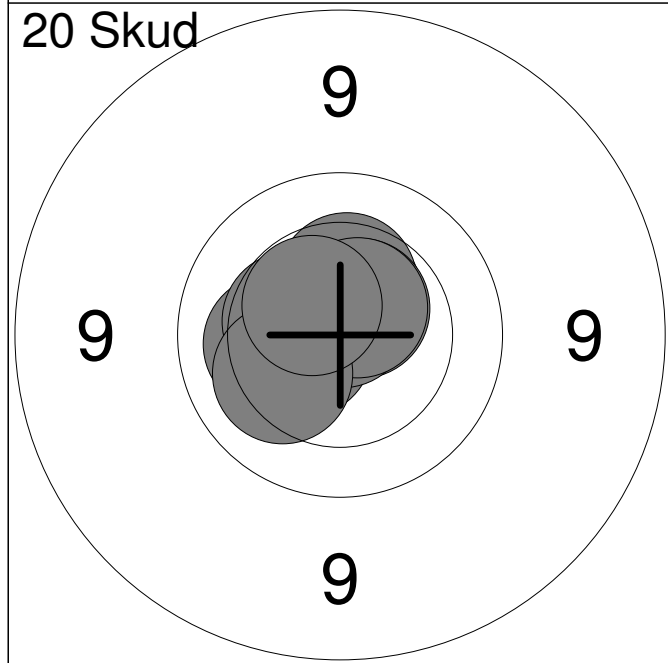
	11:	10.5	↘
	12:	10.4	↖
	13:	*10.9	↘
	14:	10.5	↘
	15:	*10.6	←
	16:	10.4	↖
	17:	*10.6	↘
	18:	10.1	←
	19:	10.4	↙
	20:	10.3	↘
<hr/>			
	Serie		100.0
	Total		197.0



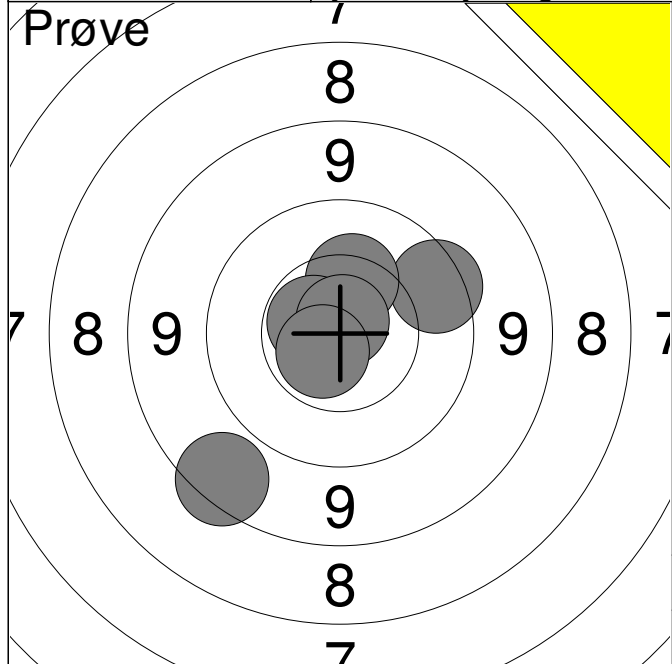
1:	10.5	↘
2:	*10.6	↓
3:	10.5	↙
Serie		30.0
Total		0.0



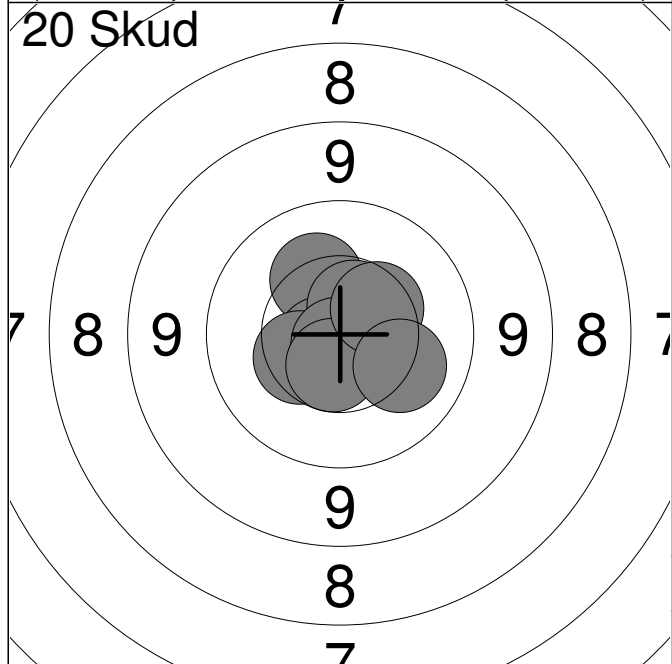
1:	10.3	↗
2:	*10.5	←
3:	*10.5	↗
4:	10.5	↓
5:	10.4	↗
6:	10.2	←
7:	10.3	←
8:	*10.8	↗
9:	*10.7	←
10:	9.8	←
Serie		99.0
Total		99.0



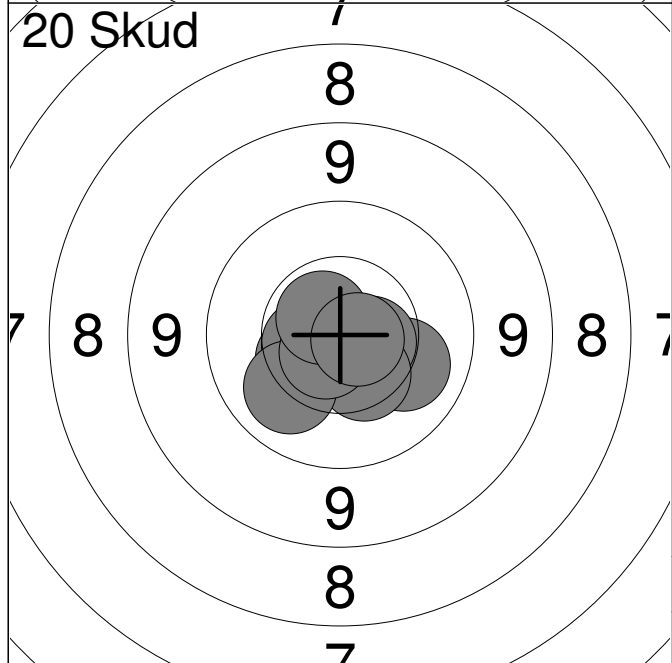
11:	10.5	↑
12:	10.4	↑
13:	*10.6	↗
14:	*10.5	←
15:	*10.8	↑
16:	*10.6	↗
17:	10.2	←
18:	10.4	←
19:	10.2	↙
20:	*10.5	↖
Serie		100.0
Total		199.0



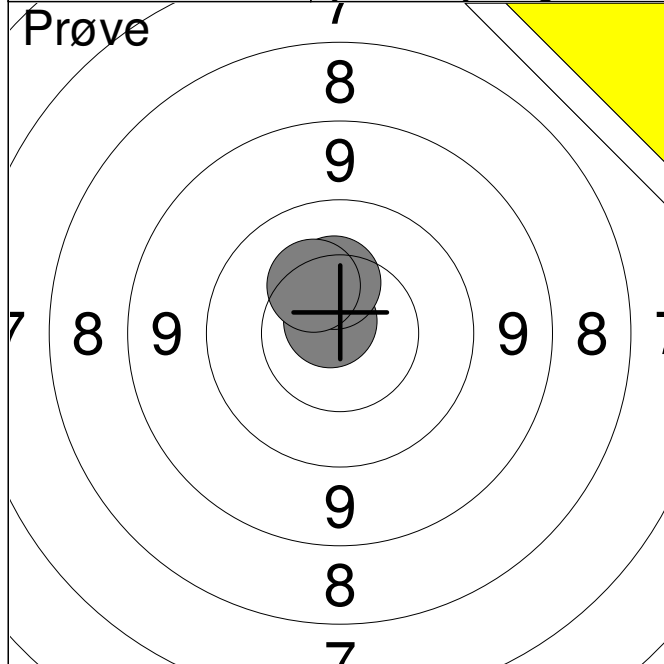
1:	8.7	↙
2:	9.7	→
3:	10.3	↑
4:	*10.6	↖
5:	*10.8	↑
6:	*10.7	↙
Serie		57.0
Total		0.0



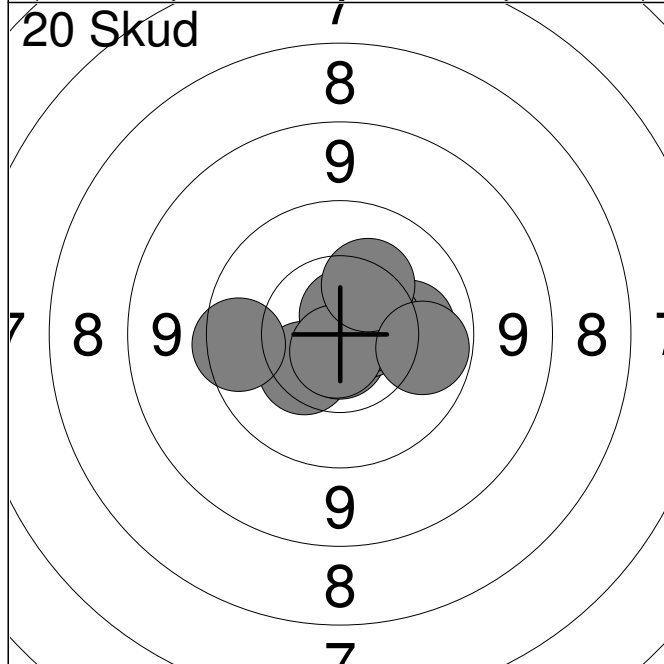
1:	10.3	↖
2:	*10.8	↓
3:	*10.6	→
4:	*10.7	↖
5:	10.4	↖
6:	*10.6	↗
7:	*10.8	↓
8:	10.6	↓
9:	10.4	↗
10:	10.2	↘
Serie		100.0
Total		100.0



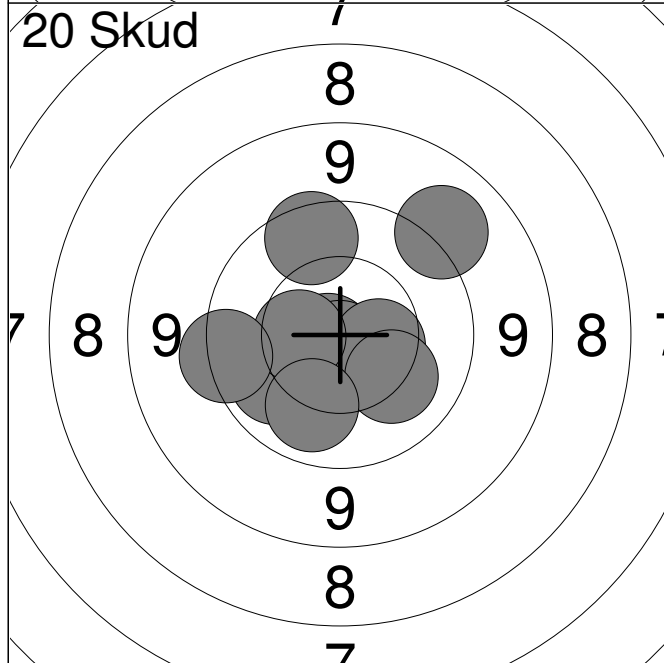
11:	10.4	↖
12:	*10.6	↖
13:	10.1	↘
14:	*10.6	→
15:	10.6	↖
16:	10.4	↓
17:	10.1	↖
18:	*10.7	↖
19:	*10.7	↗
20:	*10.7	↘
Serie		100.0
Total		200.0



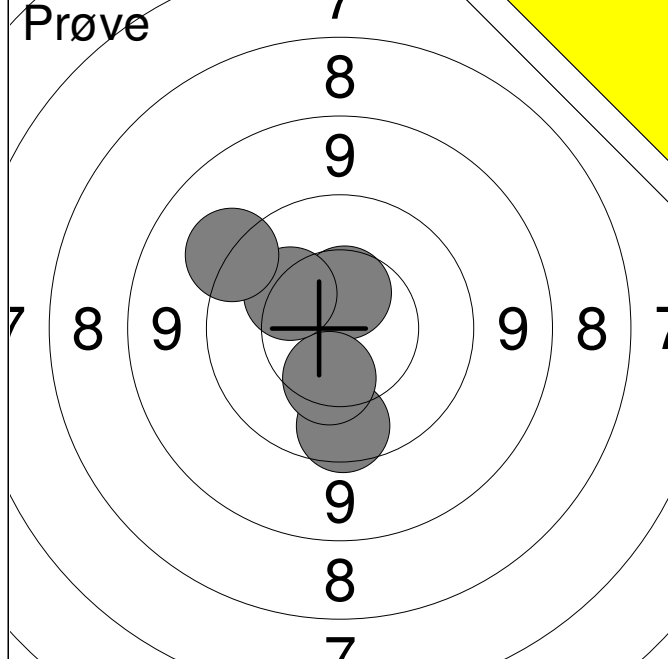
1:	*10.8	↖
2:	10.4	↑
3:	10.3	↗
Serie		30.0
Total		0.0



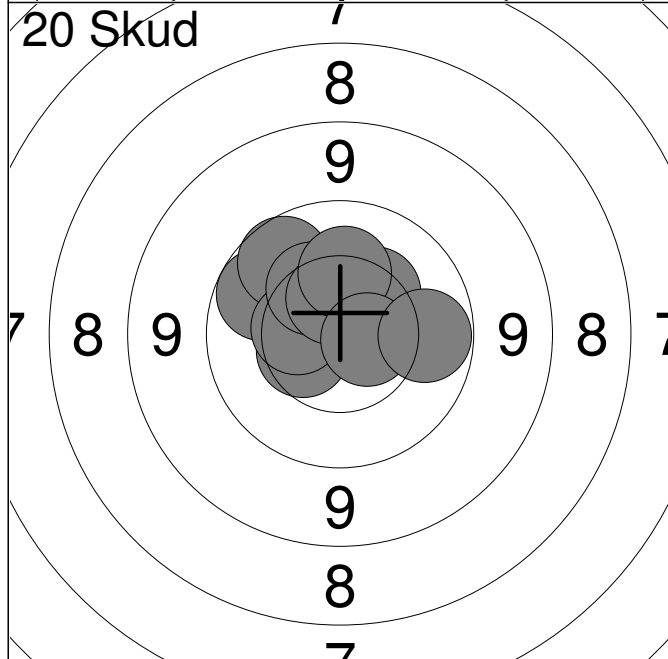
1:	10.2	→
2:	10.4	↙
3:	*10.7	↓
4:	*10.7	↑
5:	*10.7	→
6:	10.5	→
7:	*10.7	↓
8:	10.3	↗
9:	9.8	←
10:	10.0	→
Serie		99.0
Total		99.0



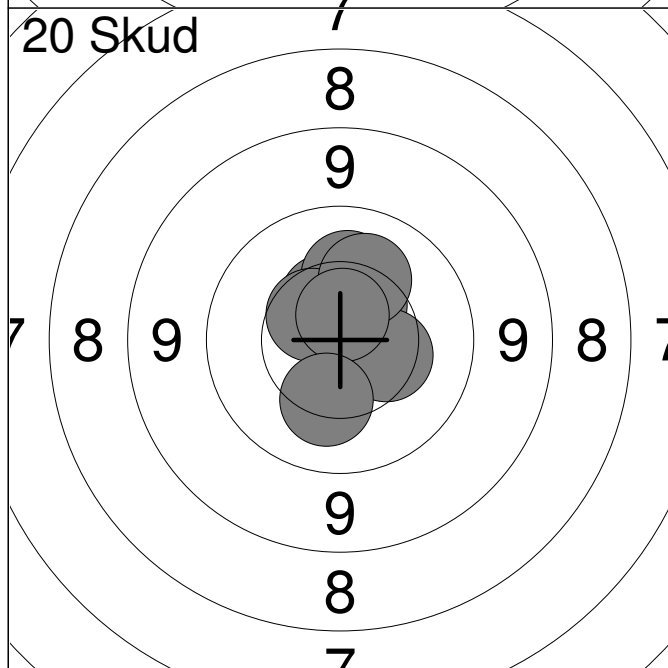
11:	*10.8	←
12:	*10.8	↓
13:	10.5	→
14:	10.2	↙
15:	10.1	↙
16:	10.5	←
17:	10.1	↓
18:	9.6	←
19:	9.8	↑
20:	9.2	↗
Serie		97.0
Total		196.0



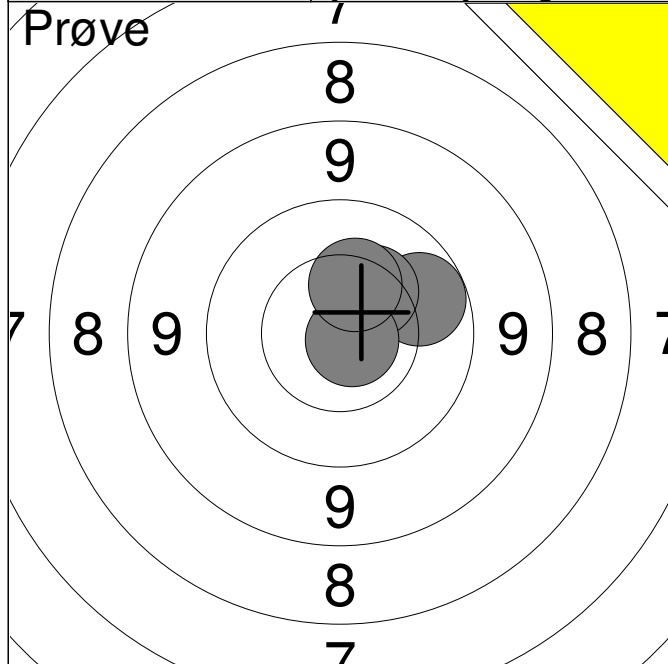
1:	10.5	↑
2:	9.8	↓
3:	10.4	↓
4:	10.2	↗
5:	9.4	↗
Serie		48.0
Total		0.0



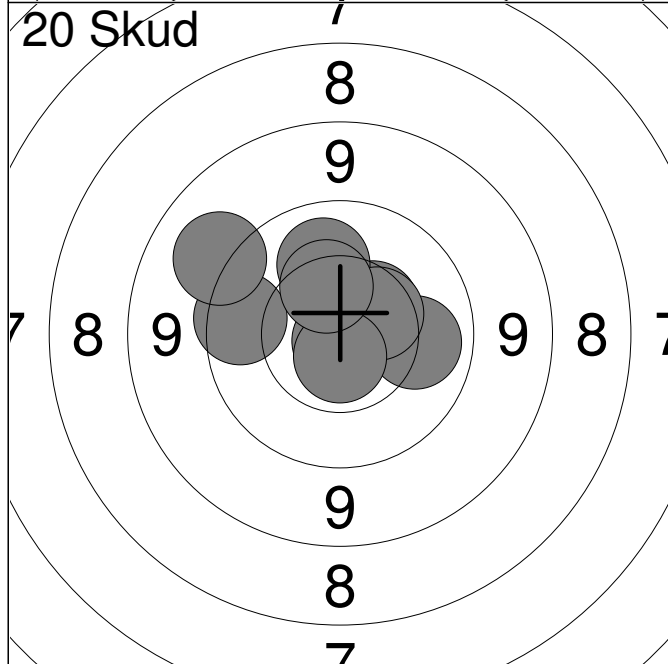
1:	10.5	↖
2:	9.9	↗
3:	9.9	↗
4:	10.3	↗
5:	10.5	↖
6:	10.3	↗
7:	10.5	↗
8:	10.2	↑
9:	*10.6	→
10:	10.0	→
Serie		98.0
Total		98.0



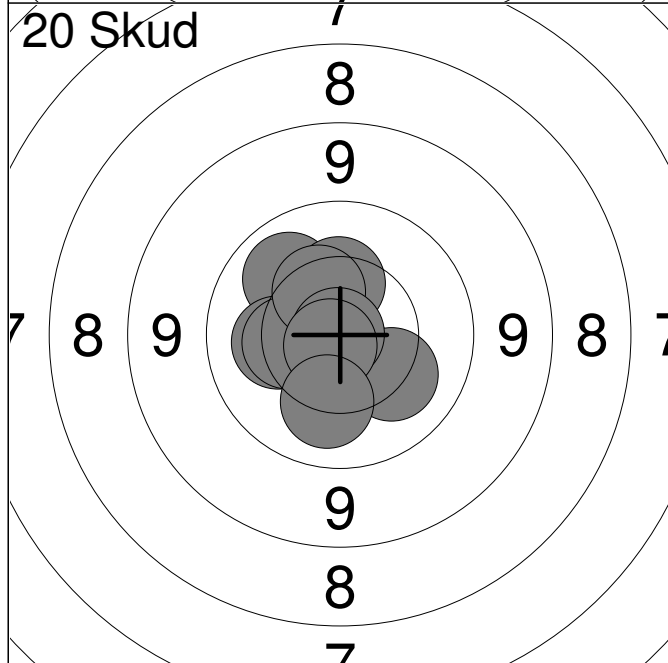
11:	*10.7	↗
12:	10.5	↗
13:	10.4	→
14:	10.5	↗
15:	10.2	↑
16:	*10.6	↗
17:	10.5	↗
18:	10.2	↗
19:	*10.7	↑
20:	10.2	↓
Serie		100.0
Total		198.0



1:	10.0	→
2:	10.3	↗
3:	*10.8	→
4:	10.4	↗
Serie		40.0
Total		0.0



1:	10.5	↗
2:	*10.6	→
3:	10.1	→
4:	*10.9	↓
5:	10.1	↑
6:	9.8	←
7:	10.5	↗
8:	*10.7	↓
9:	10.4	↑
10:	9.2	↘
Serie		98.0
Total		98.0



11:	10.1	↗
12:	10.4	↑
13:	10.2	←
14:	10.3	←
15:	10.4	↗
16:	*10.7	↓
17:	10.2	↘
18:	*10.9	↗
19:	*10.8	↘
20:	10.2	↓
Serie		100.0
Total		198.0